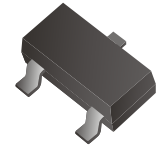


CDST-7000-G

Reverse Voltage: 100 Volts

Forward Current: 200 mA

RoHS Device



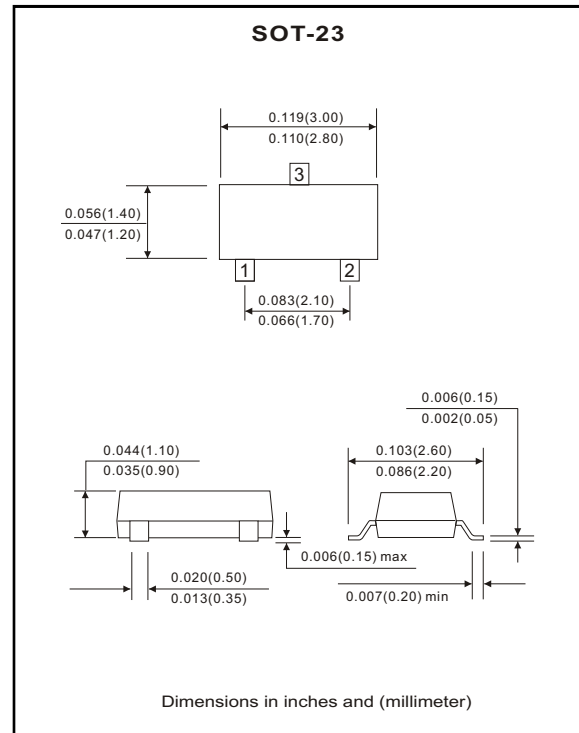
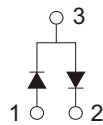
Features

- Design for mounting on small surface.
- High speed switching.
- High mounting capability, strong surge withstand, high reliability.

Mechanical data

- Case: SOT-23, molded plastic.
- Terminals: solderable per MIL-STD-750, method 2026.
- Polarity: indicated by cathode band.
- Approx. weight: 0.008 grams

Circuit Diagram



Maximum Ratings and Electrical Characteristics

(at Ta=25°C unless otherwise noted)

Parameter	Symbol	Conditions	Value	Units
Repetitive peak reverse voltage	V _{RRM}		100	V
Reverse voltage	V _R		100	V
Forward current	I _F		200	mA
Peak surge forward current	I _{FSM}	T=1.0 μS	2	A
Power dissipation	P _D		225	mW
Maximum forward voltage	V _F	@I _F =1mA @I _F =10mA @I _F =100mA	0.7 0.82 1.1	V
Maximum reverse current	I _R	@V _R =100V @V _R =50V	3 1	μA
Maximum reverse recovery time	T _{rr}	I _F =10mA, R _L =50Ω, V _R =6V	4	nS
Typical diode capacitance	C _J	V _R =0V, f=1.0MHz	2	pF
Maximum junction temperature	T _J		150	°C
Storage temperature	T _{STG}		-55 to +150	

RATING AND CHARACTERISTIC CURVES (CDST-7000-G)

Fig.1 Forward Characteristics

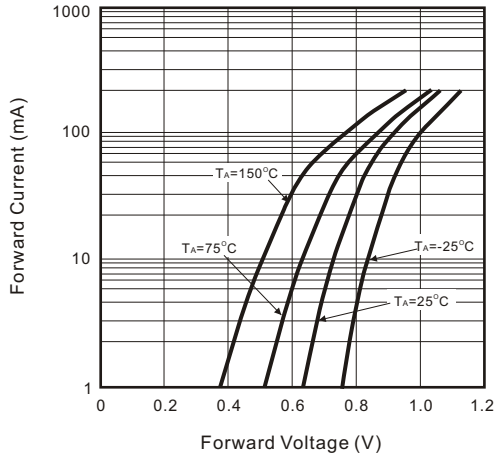


Fig.2 Reverse Characteristics

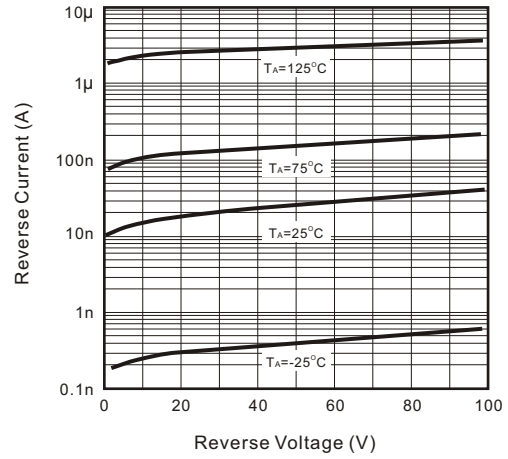


Fig.3 Capacitance Between Terminals Characteristics

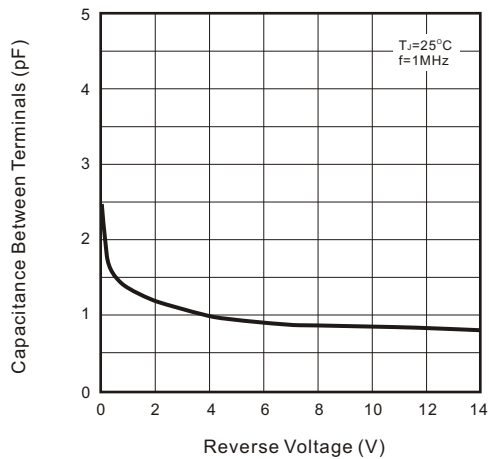


Fig.4 Current Derating Curve

