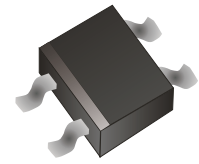


DB101S-G Thru. DB107S-G

Reverse Voltage: 50 to 1000V

Forward Current: 1.0A

RoHS Device

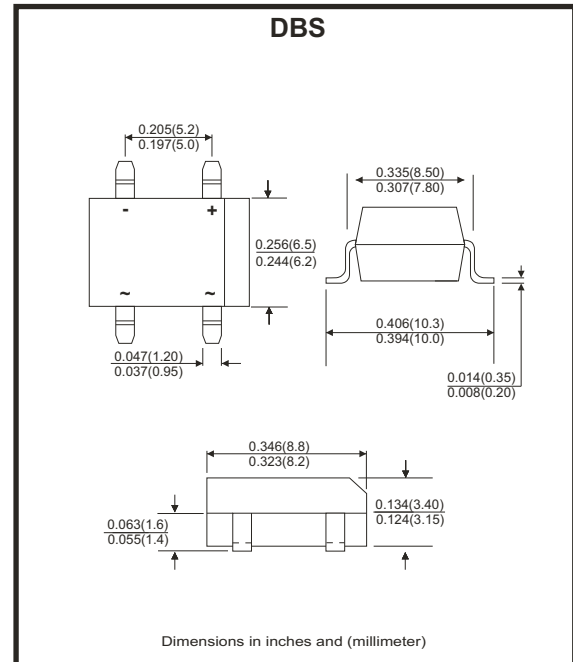


Features

- Rating to 1000V PRV
- Ideal for printed circuit board
- Low forward voltage drop,high current capability
- Reliable low cost construction utilizing molded plastic technique results in inexpensive product
- Lead tin Pb/Sn copper
- The plastic material has UL flammability classification 94V-0

Mechanical Data

- Polarit:As marked on Body
- Weight:0.02 ounces, 0.38 grams
- Mounting position:Any



Maximum ratings and electrical characteristics

Rating at 25 °C ambient temperature unless otherwise specified.
Single phase, half wave ,60Hz, resistive or inductive load.
For capacitive load, derate current by 20%

Parameter	Symbol	DB101S-G	DB102S-G	DB103S-G	DB104S-G	DB105S-G	DB106S-G	DB107S-G	Unit
	marking	DB101S	DB102S	DB103S	DB104S	DB105S	DB106S	DB107S	
Maximum Reverse Peak Repetitive Voltage	V_{RRM}	50	100	200	400	600	800	1000	V
Maximum RMS Voltage	V_{RMS}	35	70	140	280	420	560	700	V
Maximum DC Blocking Voltage	V_{DC}	50	100	200	400	600	800	1000	V
Maximum Average Forward Rectified Current @ $T_A=40$ °C	$I_{(AV)}$	1.0							A
Peak Forward Surge Current , 8.3ms Single Half Sine-Wave Super Imposed On Rated Load	I_{FSM}	50							A
$I^2 t$ Rating For Fusing ($t < 8.3ms$)	$I^2 t$	10.4							A ² s
Maximum Forward Voltage At 1.0A DC	V_F	1.1							V
Maximum Reverse Current @ $T_J=25$ °C At rRated DC Blocking Voltage @ $T_J=125$ °C	I_R	10 500							μA
Typical Junction Capacitance (Note 1)	C_J	25							pF
Typical Thermal Resistance (Note 2)	$R_{\theta JA}$	40							°C/W
Operating Temperature Range	T_J	-55 ~ +150							°C
Storage Temperature Range	T_{STG}	-55 ~ +150							°C

Notes:

1. Measured at 1.0MHz and applied reverse voltage of 4.0V.
2. Unit mounted on P.C.B with 0.51"×0.51" (13×13mm) copper pads.

Rating and Characteristics Curves (DB101S-G Thru. DB107S-G)

Fig. 1 Forward Current Derating Curve

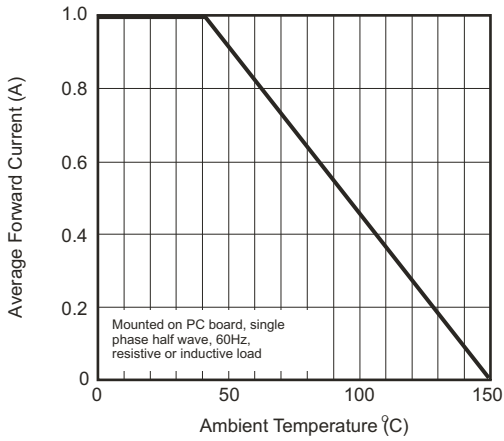


Fig. 2 Maximum Non-repetitive Surge Current

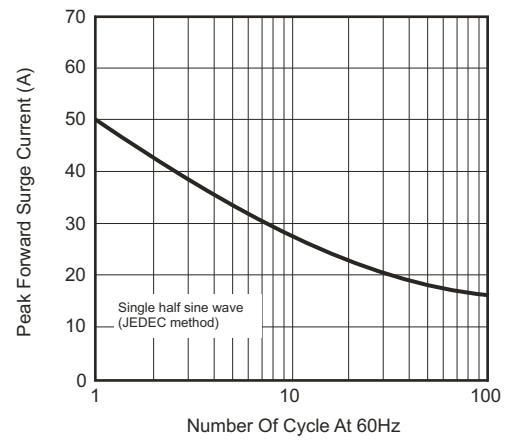


Fig. 3- Typical Junction Capacitance

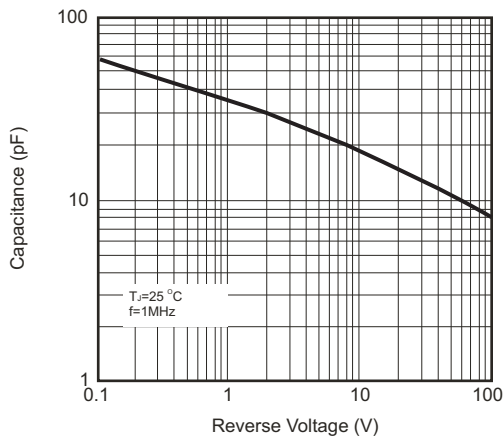


Fig. 4 Typical Forward Characteristics

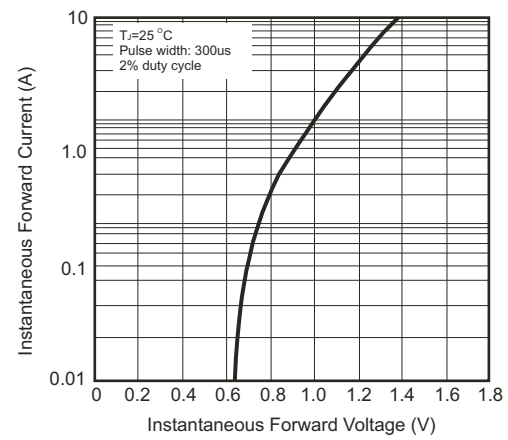


Fig. 5- Typical Reverse Characteristics

