

CDSL4148-G/4448-G

Reverse Voltage: 75 Volts
 Power Dissipation: 500 mW
 RoHS Device

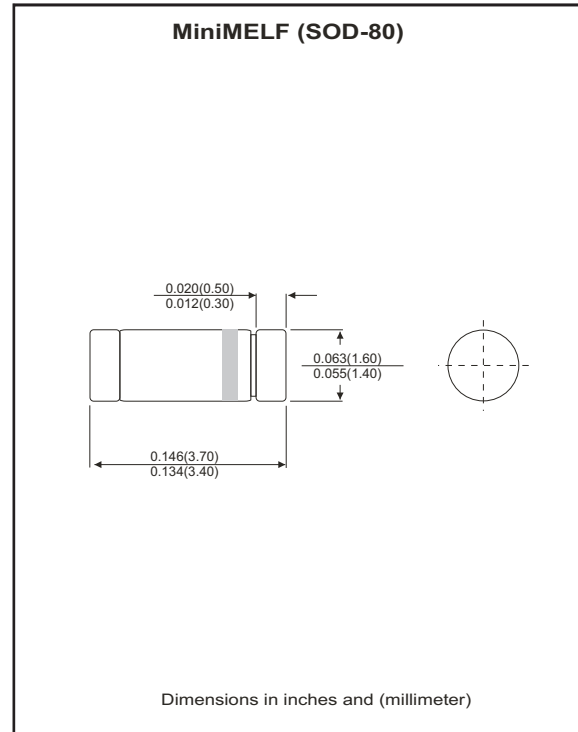


Features

- Design for mounting on small surface.
- High speed switching.
- High mounting capability, strong surge withstand, high reliability.
- Also available in other standard case:
 CDSF4148/4448 - SOD323F(1005) size
 CDSU4148/4448 - SOD523F(0603) size

Mechanical data

- Case: MiniMELF, glass case.
- Terminals: solderable per MIL-STD-750, method 2026.
- Polarity: indicated by cathode band.
- Approx. weight: 0.05 grams



Maximum Ratings and Electrical Characteristics

(at Ta=25 °C unless otherwise noted)

Parameter	Symbol	Conditions	CDSL4148-G	CDSL4448-G	Units
Repetitive peak reverse voltage	V _{RRM}		75		V
Reverse voltage	V _R		75		V
Forward current	I _{FM}		300	500	mA
Averaged forward current	I _o		150		mA
Peak surge forward current	I _{FSM}	T=1.0 μS	2		A
Power dissipation	P _D		500		mW
Maximum forward voltage	V _F	@I _F =5mA @I _F =10mA @I _F =100mA	- 1 -	0.72 - 1	V
Maximum reverse current	I _R	@V _R =75V @V _R =25V	2.5 0.025		μA
Maximum reverse recovery time	T _{rr}	I _F =10mA, R _L =50Ω, V _R =6V	4		nS
Typical diode capacitance	C _J	V _R =0V, f=1.0MHz	4		pF
Maximum junction temperature	T _J		175		°C
Storage temperature	T _{STG}		-65 to +175		°C

RATING AND CHARACTERISTIC CURVES (CDSL4148-G/4448-G)

Fig.1 Forward Characteristics

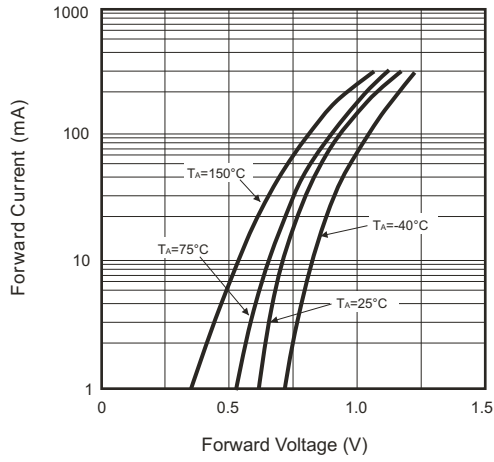


Fig.2 Reverse Characteristics

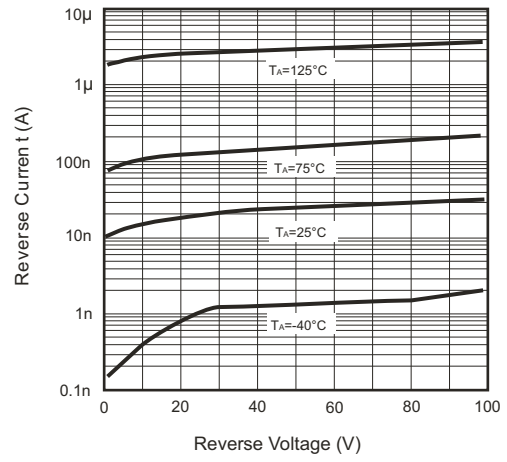


Fig.3 Capacitance Between Terminals Characteristics

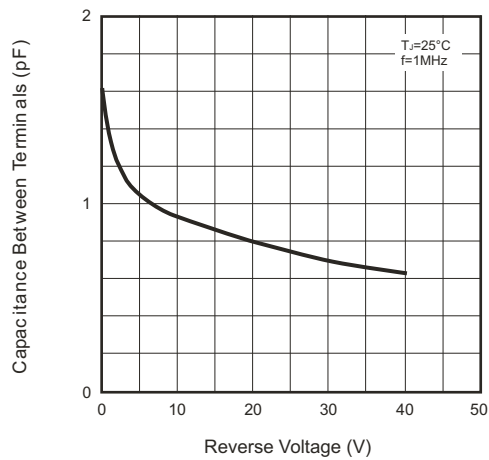
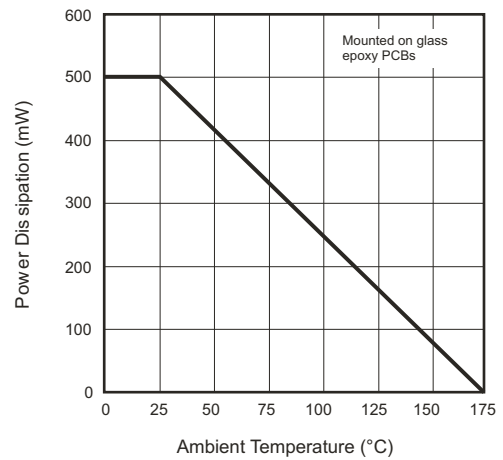
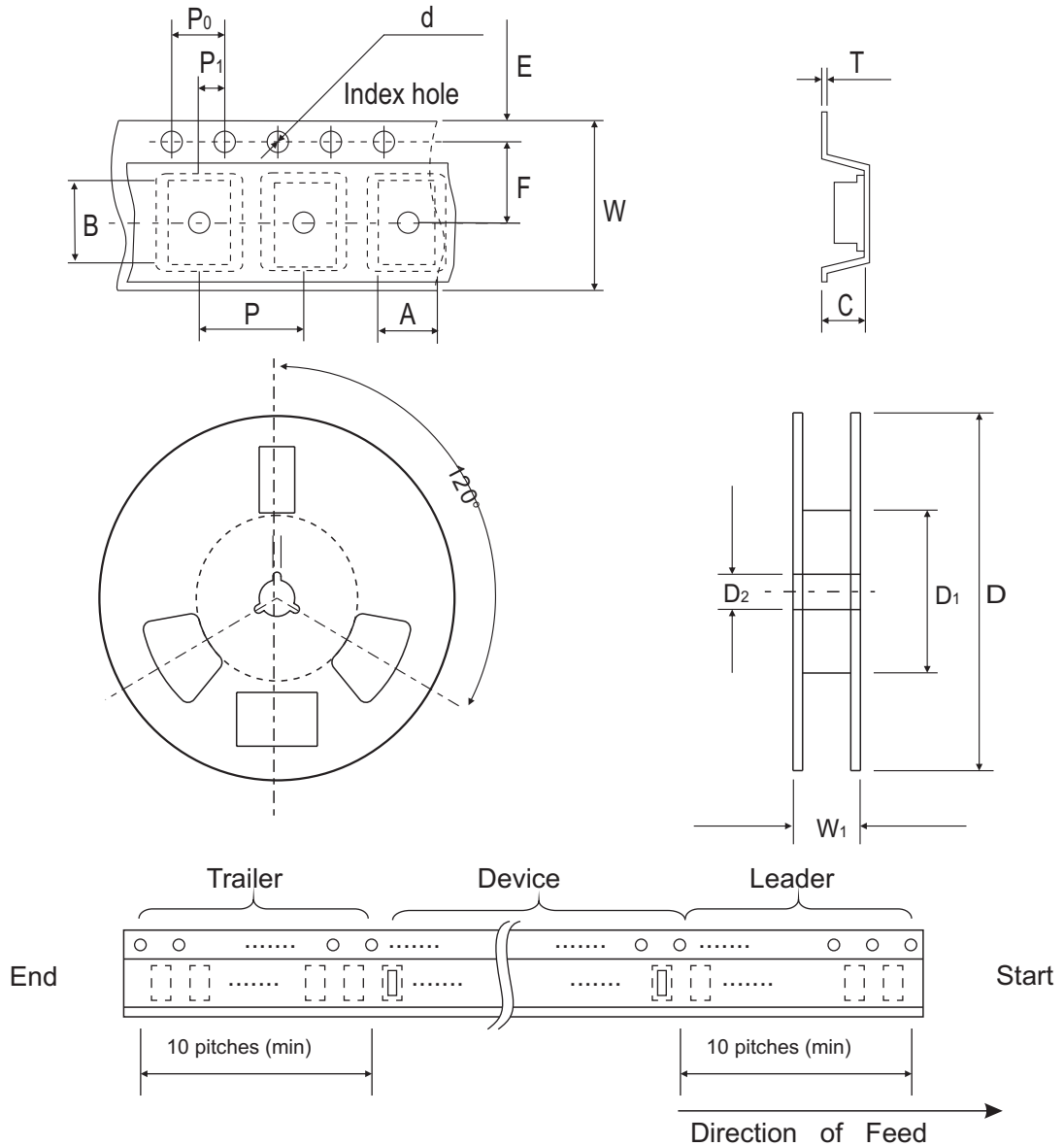


Fig.4 Power Derating Curve



Reel Taping Specification

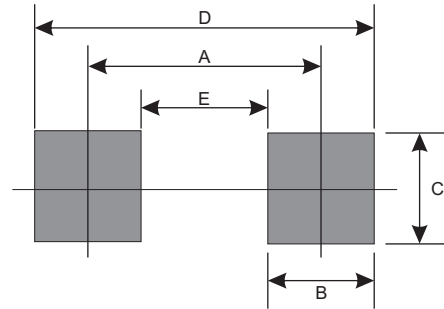


	SYMBOL	A	B	C	d	D	D ₁	D ₂
Mini-MELF	(mm)	2.00 Max.	3.90 Max.	2.00 Max.	1.55 ± 0.10	178 ± 1	50.0 Min.	13.0 ± 0.20
	(inch)	0.079 Max.	0.154 Max.	0.079 Max.	0.061 ± 0.004	7.008 ± 0.04	1.969 Min.	0.512 ± 0.008

	SYMBOL	E	F	P	P ₀	P ₁	W	W ₁
Mini-MELF	(mm)	1.75 ± 0.10	3.50 ± 0.05	4.00 ± 0.10	4.00 ± 0.10	2.00 ± 0.05	8.00 ± 0.30	14.4 Max.
	(inch)	0.069 ± 0.004	0.138 ± 0.002	0.157 ± 0.004	0.157 ± 0.004	0.079 ± 0.002	0.315 ± 0.012	0.567 Max.

Suggested PAD Layout

SIZE	Mini-MELF	
	(mm)	(inch)
A	3.40	0.134
B	1.30	0.051
C	1.70	0.067
D	4.70	0.185
E	2.10	0.083



Standard Package

Case Type	Qty per Reel	Reel Size
	(Pcs)	(inch)
Mini-MELF	2500	7