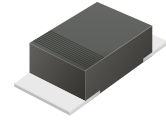


## CDBM220L-HF Thru. CDBM240L-HF

Reverse Voltage: 20 to 40 Volts

Forward Current: 2.0 Amp

RoHS Device

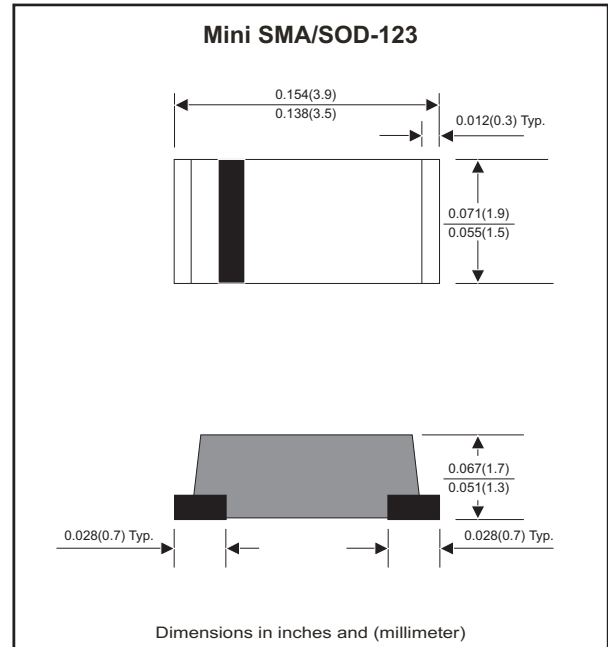


### Features

- Halogen free.
- Ideal for surface mount applications.
- Easy pick and place.
- Plastic package has Underwriters Lab. flammability classification 94V-0.
- Exceeds environmental standard MIL-S-19500/228.
- Low leakage current.

### Mechanical data

- Case: Mini SMA/SOD-123, molded plastic.
- Terminals: solderable per MIL-STD-750, method 2026.
- Polarity: Color band denotes cathode end.
- Approx. weight: 0.018 grams



### Maximum Ratings and Electrical Characteristics

Parameter	Symbol	CDBM220L-HF	CDBM230L-HF	CDBM240L-HF	Units
Repetitive peak reverse voltage	$V_{RRM}$	20	30	40	V
Continuous reverse voltage	$V_R$	20	30	40	V
Max. RMS voltage	$V_{RMS}$	14	21	28	V
Peak surge forward current, 8.3ms single half sine-wave superimposed on rate load (JEDEC method)	$I_{FSM}$	50			A
Forward rectified current	$I_o$	2.0			A
Max. forward voltage at $I_F=2.0A$	$V_F$	0.38	0.40	0.38	V
Reverse current	$V_R=V_{RRM}$ $T_A=25^\circ C$	1.0			mA
	$V_R=V_{RRM}$ $T_A=125^\circ C$	10			
Max. thermal resistance, junction to ambient	$R_{\theta JA}$	70			$^\circ C/W$
Diode junction capacitance	$C_J$	160			pF
Storage temperature	$T_{STG}$	-65 to +175			$^\circ C$
Operating temperature	$T_J$	-55 to +125			$^\circ C$

## RATING AND CHARACTERISTIC CURVES (CDBM220L-HF thru CDBM240L-HF)

Fig.1- Typical Forward Characteristics

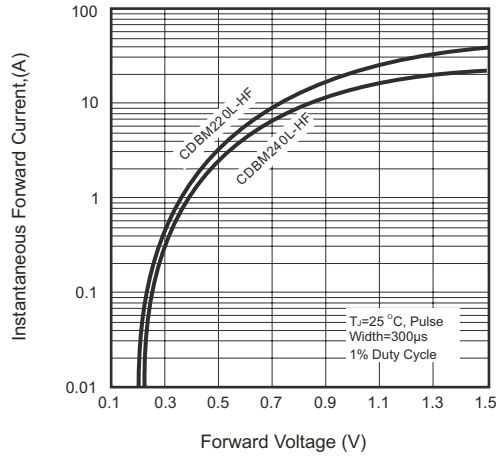


Fig.2- Typical Forward Current Derating Curve

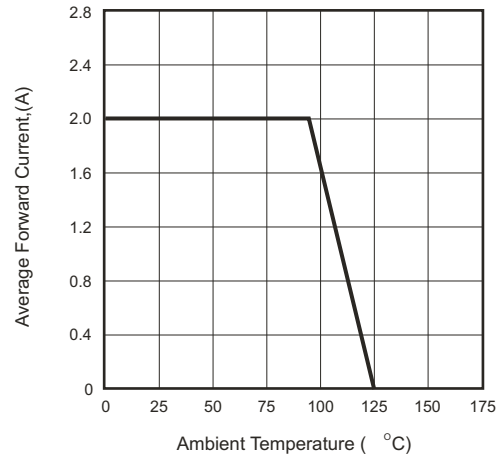


Fig.3- Typical Reverse Characteristics

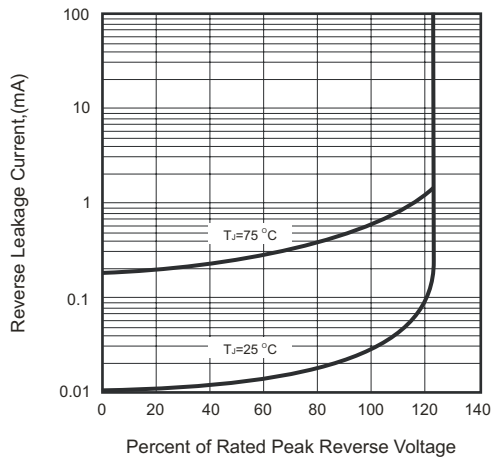


Fig.4- Maximum Non-Repetitive Forward Surge Current

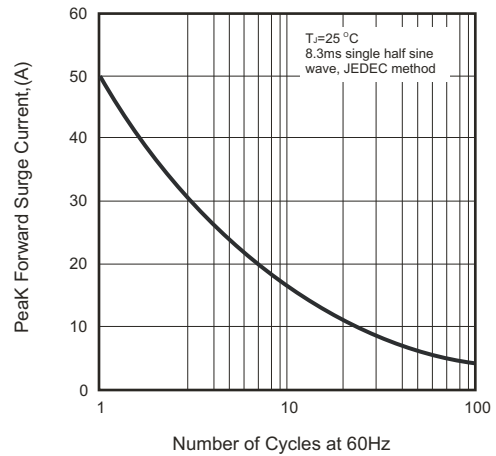
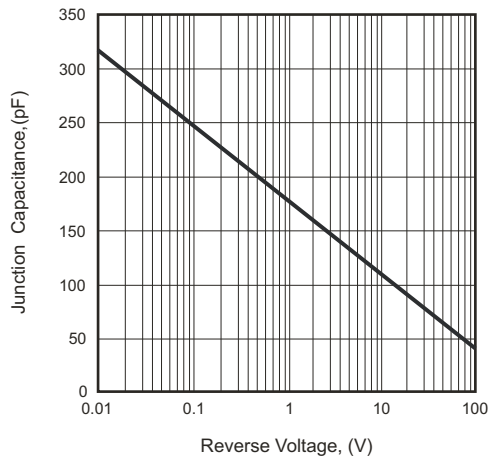
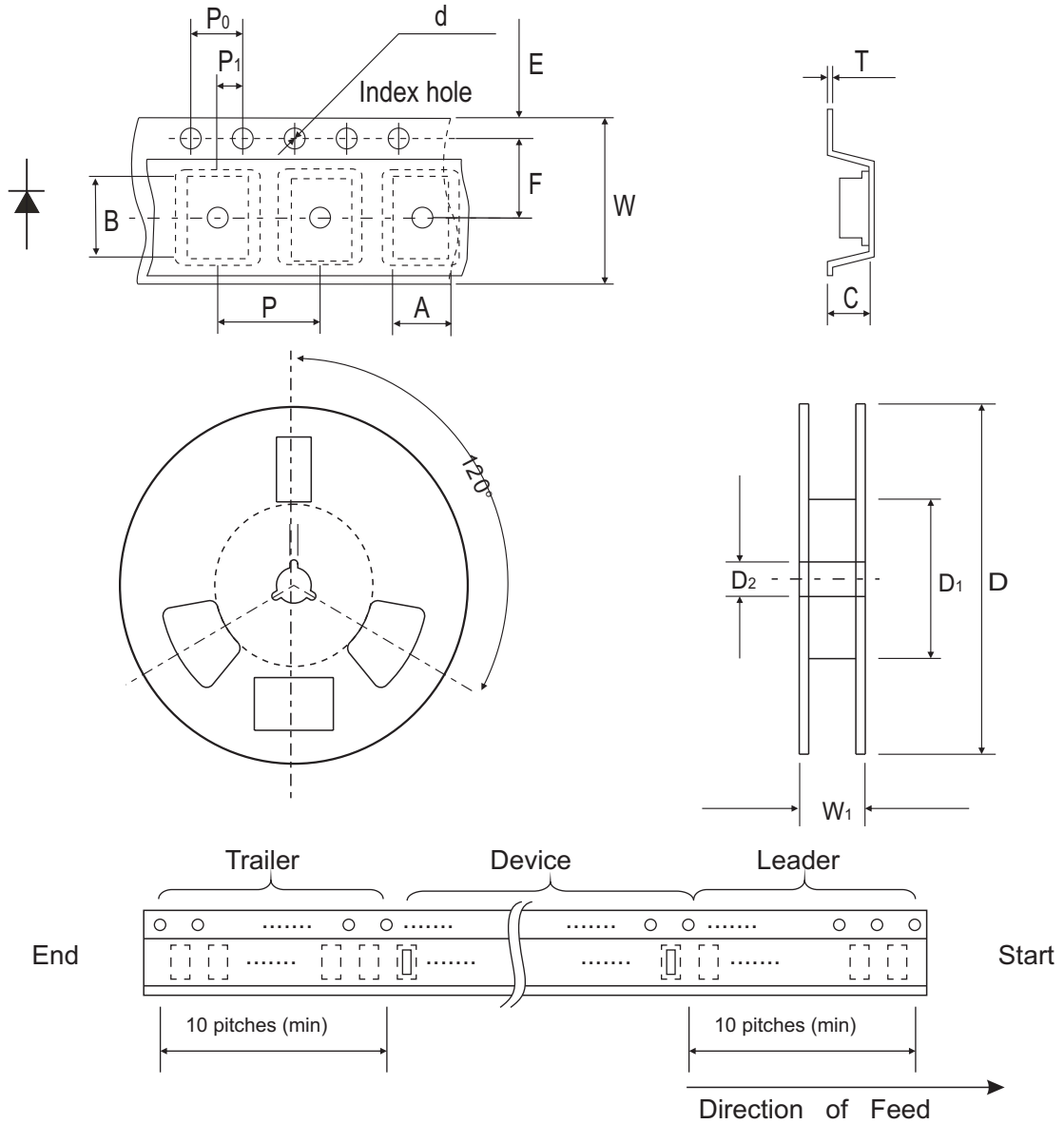


Fig.5 Typical Junction Capacitance



## Reel Taping Specification



Mini-SMA/SOD-123	SYMBOL	A	B	C	d	D	D <sub>1</sub>	D <sub>2</sub>
	(mm)	1.90 ± 0.10	3.90 ± 0.10	1.68 ± 0.10	1.50 ± 0.10	178 ± 2.00	62.0 MIN.	13.0 ± 0.50
	(inch)	0.075 ± 0.04	0.153 ± 0.04	0.066 ± 0.04	0.059 ± 0.004	7.00 ± 0.079	2.440 MIN.	0.512 ± 0.020

Mini-SMA/SOD-123	SYMBOL	E	F	P	P <sub>0</sub>	P <sub>1</sub>	W	W <sub>1</sub>
	(mm)	1.75 ± 0.10	3.50 ± 0.10	4.00 ± 0.10	4.00 ± 0.10	2.00 ± 0.10	8.00 ± 0.30	11.4 ± 1.0
	(inch)	0.689 ± 0.004	0.138 ± 0.004	0.157 ± 0.004	0.157 ± 0.004	0.079 ± 0.004	0.315 ± 0.011	0.449 ± 0.039

## Marking Code

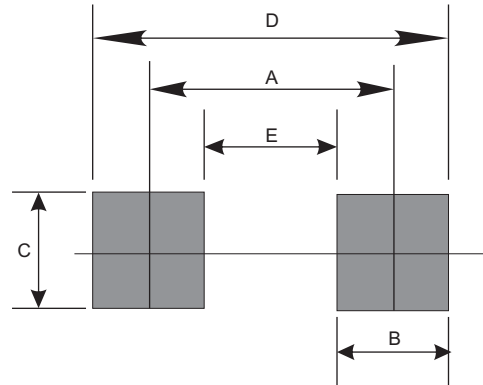
Part Number	Marking Code
CDBM220L-HF	L22
CDBM230L-HF	L23
CDBM240L-HF	L24



xxx = Product type marking code

## Suggested PAD Layout

SIZE	Mini-SMA/SOD-123	
	(mm)	(inch)
A	3.30	0.130
B	1.40	0.055
C	1.90	0.075
D	4.70	0.185
E	1.90	0.075



## Standard Package

Case Type	Qty per Reel	Reel Size
	(Pcs)	(inch)
Mini-SMA/SOD-123	2500	7