

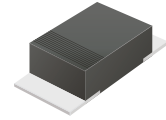
CDBMT220L-HF Thru. CDBMT240L-HF

Reverse Voltage: 20 to 40 Volts

Forward Current: 2.0 Amp

RoHS Device

Halogen Free

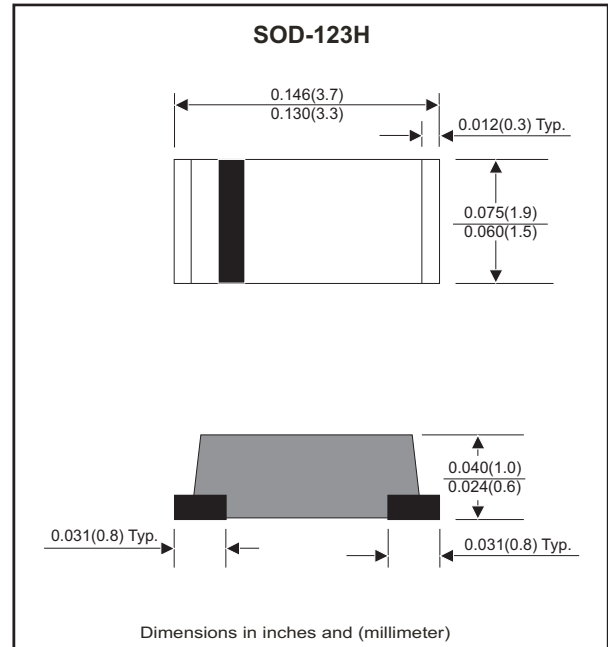


Features

- Excellent power dissipation offers better reverse leakage current and thermal resistance.
- Low profile package is 40% thinner than standards SOD-123.
- Low power loss,high efficiency.
- High current capability,low forward voltage drop.
- High surge capability.
- Guarding for overvoltage protection.
- Ultra high-speed switching.
- Silicon epitaxial planar chip,metal silicon junction.
- Lead-free part meets environmental standards of MIL-STD-19500/228

Mechanical data

- Epoxy: UL94-V0 rated flame retardant.
- Case: Molded plastic, SOD-123H/MINI SMA
- Terminals: Solderable per MIL-STD-750, method 2026.
- Polarity: Indicated by cathode band.
- Mounting Position: any
- Weight: 0.011 grams approx.



Maximum Ratings and Electrical Characteristics

Parameter	Symbol	CDBMT220L-HF	CDBMT230L-HF	CDBMT240L-HF	Units
Max. Repetitive Peak Reverse Voltage	V_{RRM}	20	30	40	V
Continuous Reverse Voltage	V_R	20	30	40	V
Max. RMS Voltage	V_{RMS}	14	21	28	V
Max. Forward Surge Current 8.3ms single half sine-wave superimposed on rate load (JEDEC method)	I_{FSM}	40			A
Max. Forward Rectified Current (fig.2)	I_o	2.0			A
Max. Forward Voltage @ $I_F=2.0A$	V_F	0.38	0.40	0.40	V
Max. Reverse Current at $T_A=25^{\circ}C$	I_R	1.0			mA
Typ. Thermal Resistance Junction to Ambient	$R_{\theta JA}$	70			$^{\circ}C/W$
Typ. Diode Junction Capacitance $f=1MHz$ and applied 4V DC reverse voltage	C_J	160			pF
Storage Temperature	T_{STG}	-65 to +175			$^{\circ}C$
Operating Temperature	T_J	-55 to +100			$^{\circ}C$

RATING AND CHARACTERISTIC CURVES (CDBMT220L-HF thru CDBMT240L-HF)

Fig.1 Typical Forward Characteristics

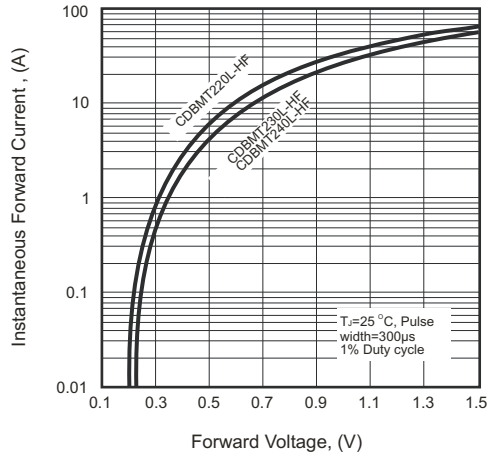


Fig.2- Typical Forward Current Derating Curve

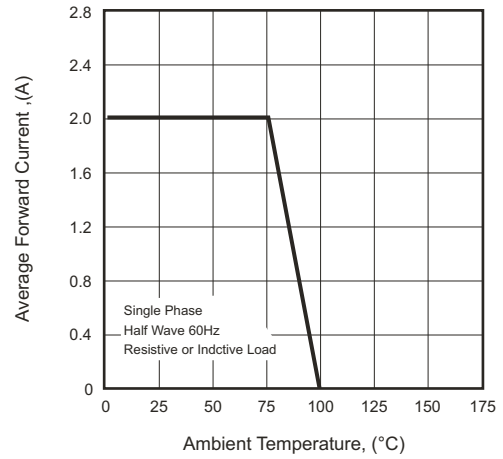


Fig.3- Typical Reverse Characteristics

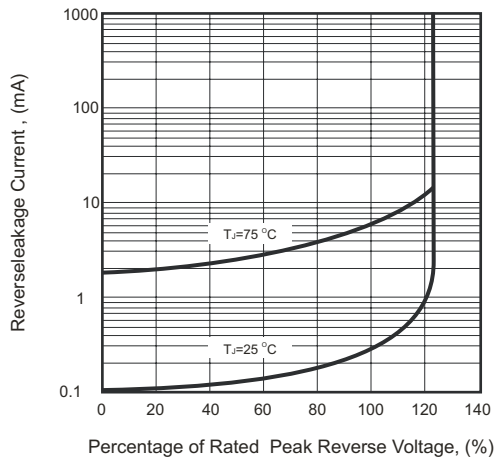


Fig.4- Maximum Non-repetitive Forward Surge Current

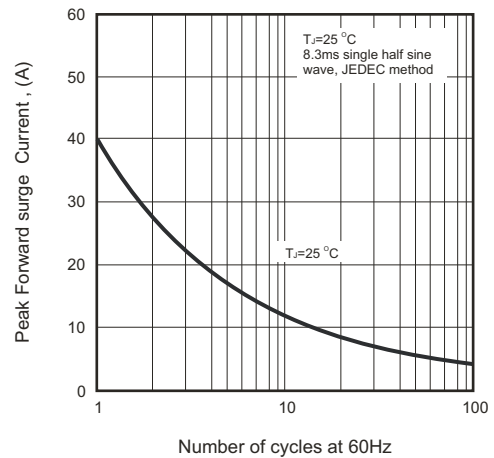
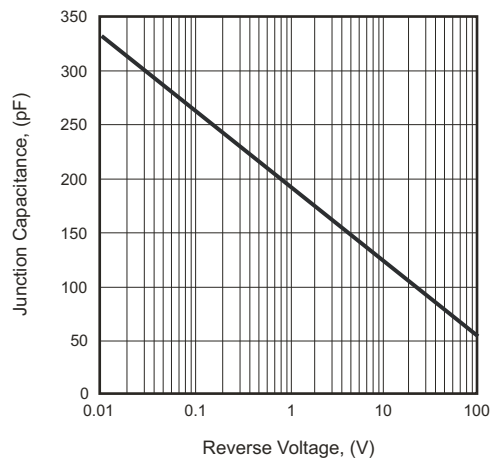
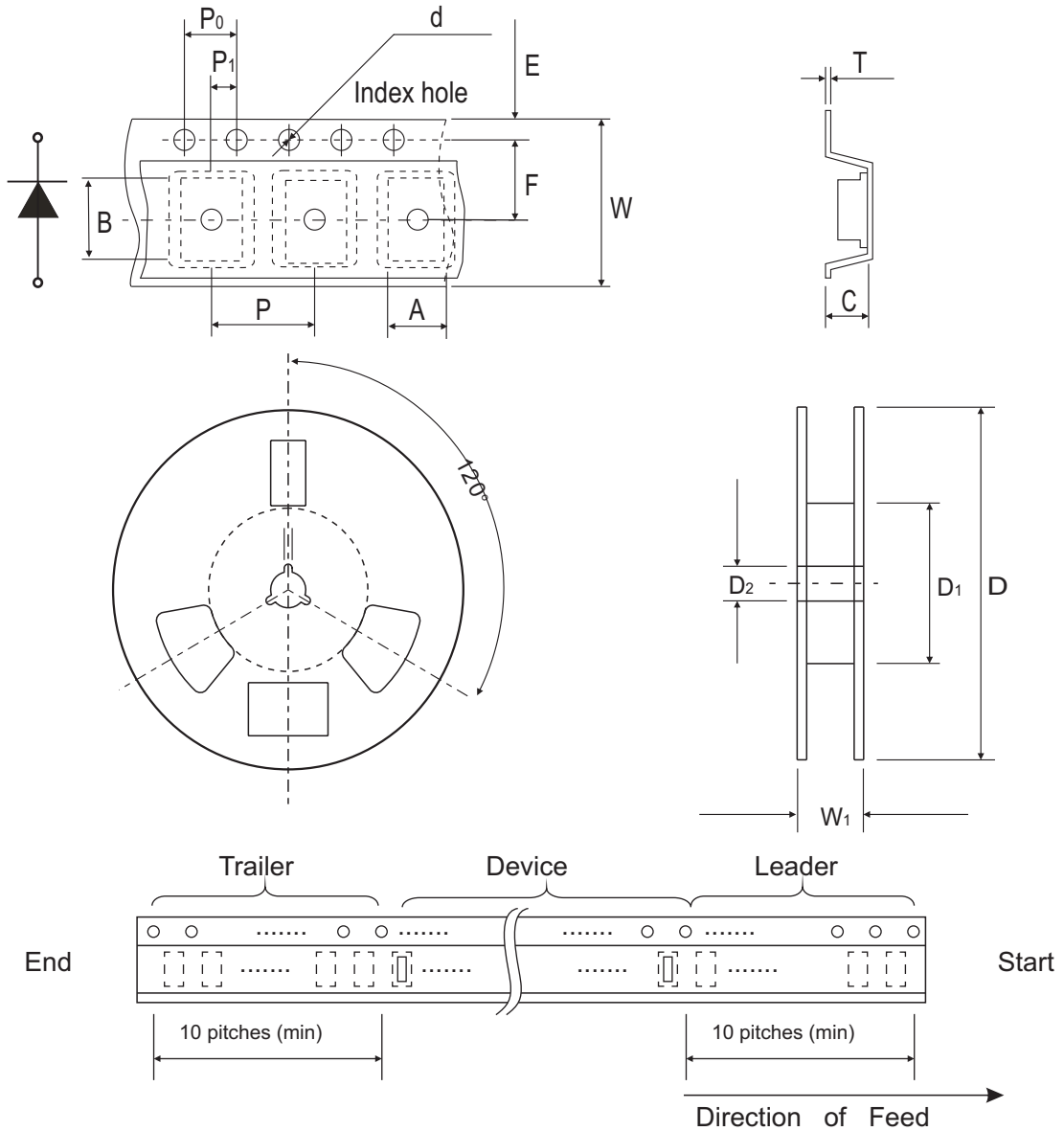


Fig.5 Typical Junction Capacitance



Reel Taping Specification



Mini-SMA/SOD-123	SYMBOL	A	B	C	d	D	D1	D2
	(mm)	2.00 ± 0.10	3.85 ± 0.10	1.10 ± 0.10	1.50 ± 0.10	178 ± 2.00	62.0 MIN.	13.0 ± 0.50
	(inch)	0.079 ± 0.004	0.152 ± 0.004	0.043 ± 0.004	0.059 ± 0.004	7.00 ± 0.079	2.440 MIN.	0.512 ± 0.020

Mini-SMA/SOD-123	SYMBOL	E	F	P	P0	P1	T	W	W1
	(mm)	1.75 ± 0.10	3.50 ± 0.10	4.00 ± 0.10	4.00 ± 0.10	2.00 ± 0.10	0.23 ± 0.10	8.00 ± 0.30	11.40 ± 1.0
	(inch)	0.069 ± 0.004	0.138 ± 0.004	0.157 ± 0.004	0.157 ± 0.004	0.079 ± 0.004	0.009 ± 0.004	0.314 ± 0.012	0.449 ± 0.039

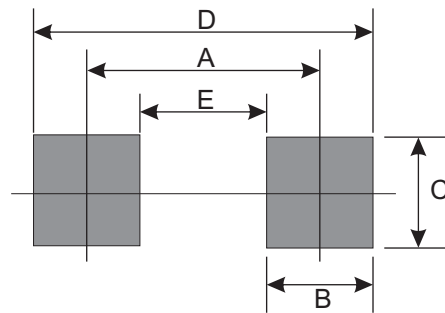
Marking Code

Part Number	Marking Code
CDBMT220L-HF	L22
CDBMT230L-HF	L23
CDBMT240L-HF	L24



Suggested PAD Layout

SIZE	Mini-SMA/SOD-123	
	(mm)	(inch)
A	3.00	0.118
B	1.30	0.051
C	1.80	0.071
D	4.30	0.169
E	1.70	0.067



Standard Package

Case Type	Qty Per Reel	Reel Size
	(Pcs)	(inch)
Mini-SMA/SOD-123	3,000	7