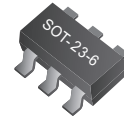


CSRS065V0-G (RoHS Device)

Working Voltage: 5Volts



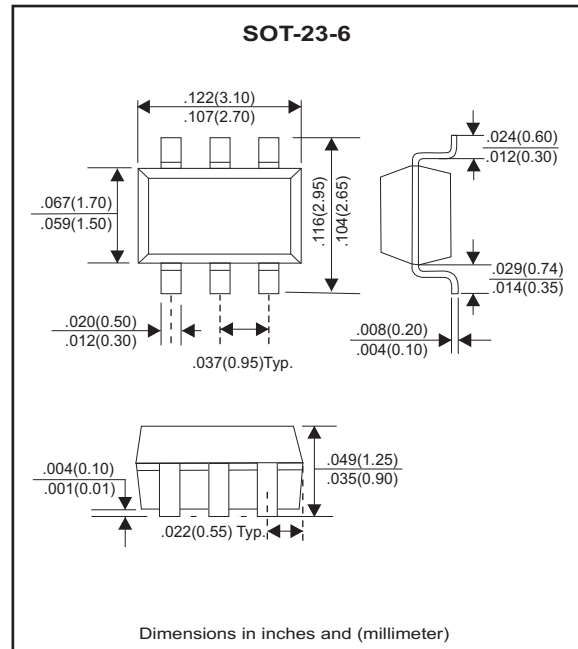
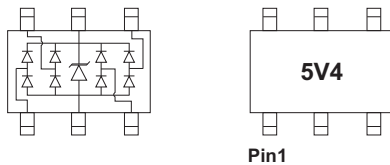
Features

- Fast Reverse Recovery Time.
- Fast Turn on Time.
- Low Capacitance SMD Packages.
- 16kV IEC61000-4-2 capable.

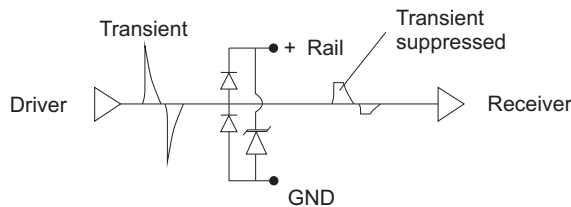
Mechanical data

- Case: SOT-23-6 Standard package, molded plastic.
- Terminals: Gold plated, solderable per MIL-STD-750D, method 2026.
- Mounting position: Any.
- Weight: 0.015 gram (approx.).

Circuit Diagram



Applications



Maximum Rating (at TA=25°C unless otherwise noted)

Parameter	Symbol	Value	Unit
Operating temperature	T _J	-55 to +150	°C

Electrical Characteristics (at TA=25°C unless otherwise noted)

Parameter	Conditions	Symbol	Min.	Max.	Unit
Forward voltage	I _F =50mA	V _F		1.2	V
Reverse stand-off voltage		V _{RWM}		5	V
Diode breakdown voltage	I _R =1μA	V _{BD}	6		V
Reverse leakage current	V _{RWM} =5V	I _R		5	μA
Junction capacitance	f=1MHz, V _R =0V, Line to ground f=1MHz, V _R =0V, Line to Line	C _T		5	pF
ESD capability	IEC 61000-4-2	ESD		16	kV

Rating and Characteristic Curves (CSRS065V0-G)

Fig.1 Pulse Power vs. Time

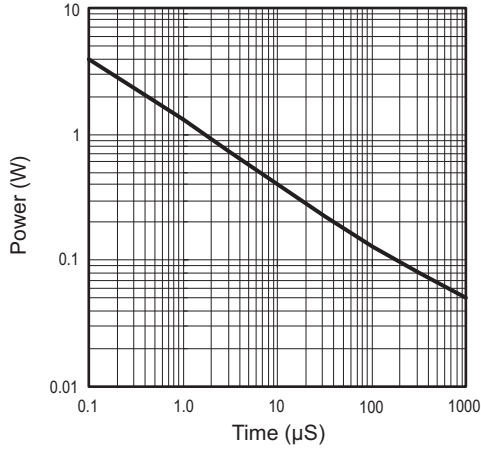


Fig.2 Power Derating

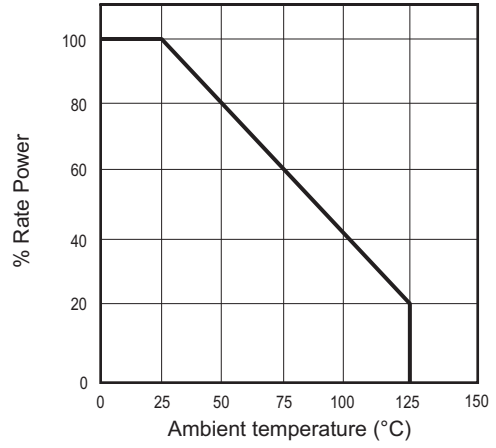


Fig.3 Pulse Waveform

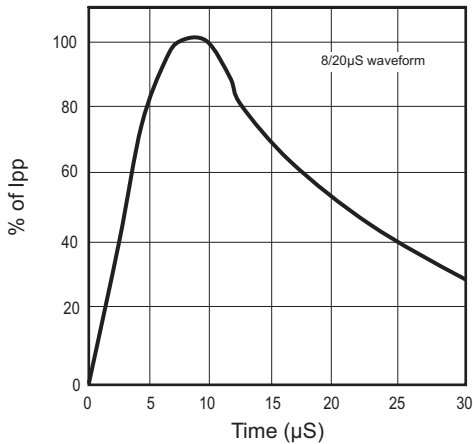


Fig.4 Clamping voltage vs. peak pulse current

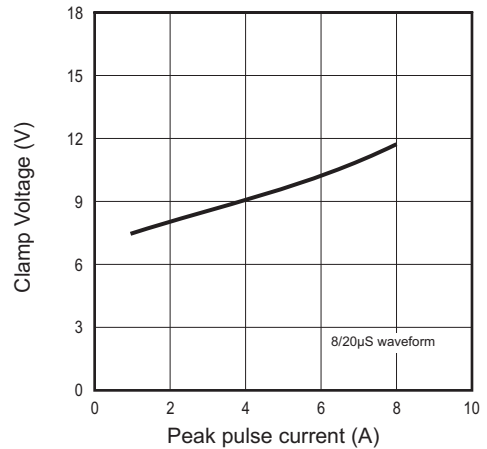


Fig.5 Forward voltage vs. Forward current

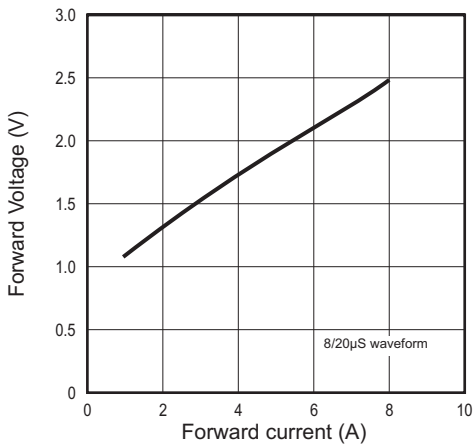
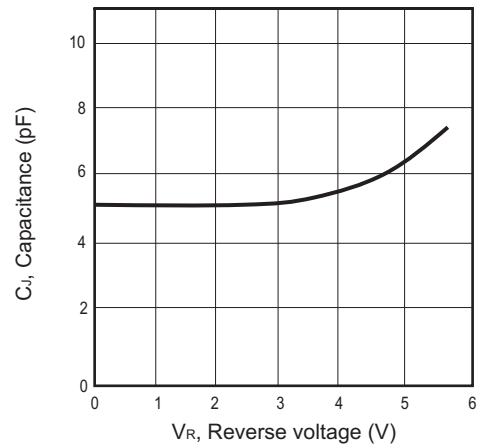
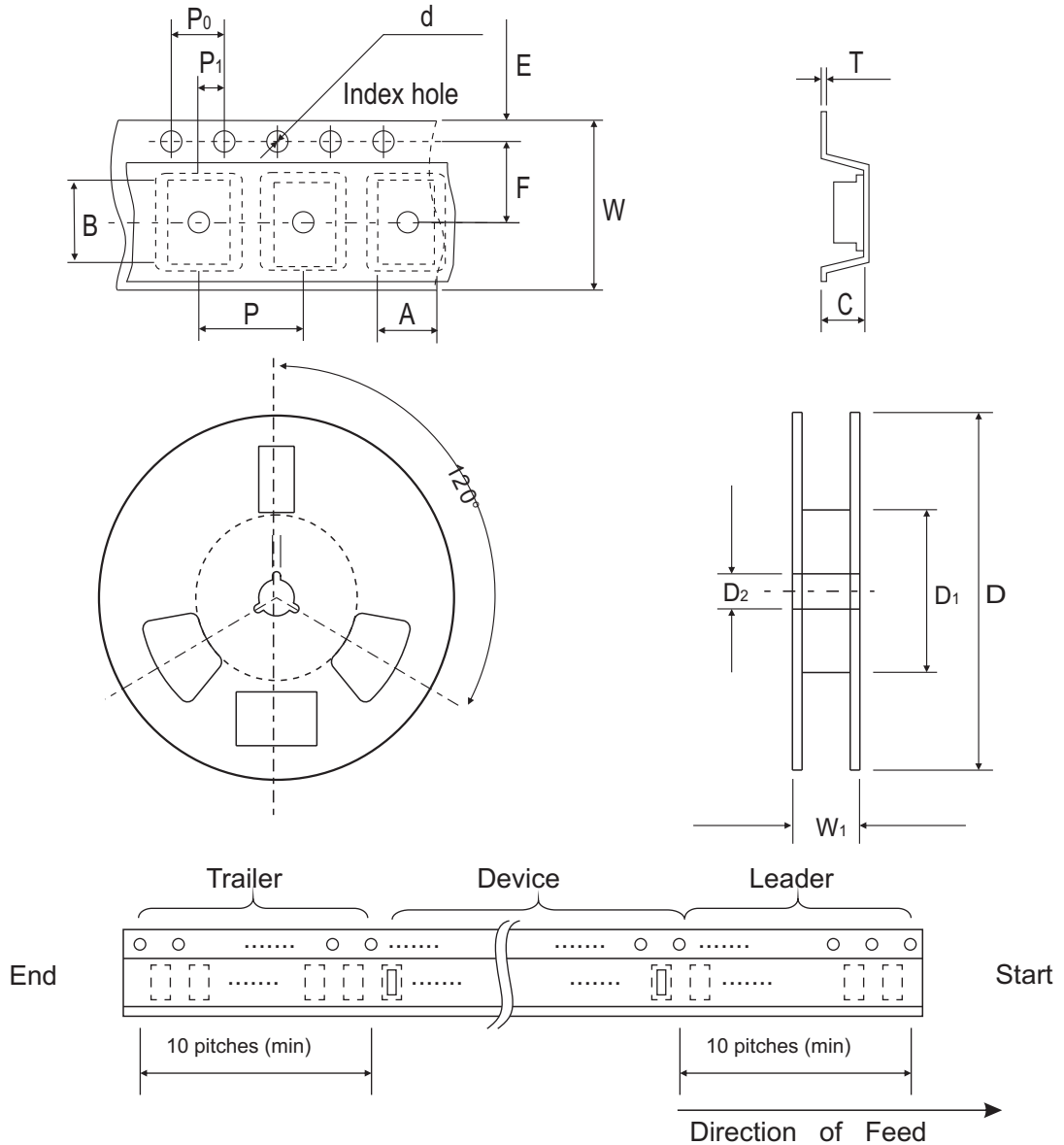


Fig.6 Capacitance vs. Reverse Voltage



Reel Taping Specification

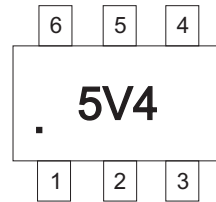


SOT-23-6	SYMBOL	A	B	C	d	D	D1	D2
	(mm)	3.17 ± 0.10	3.23 ± 0.10	1.37 ± 0.10	1.55 ± 0.10	178 ± 1	50.0 MIN.	13.0 ± 0.20
	(inch)	0.124 ± 0.004	0.127 ± 0.004	0.054 ± 0.004	0.061 ± 0.004	7.008 ± 0.040	1.969 MIN.	0.512 ± 0.008

SOT-23-6	SYMBOL	E	F	P	P0	P1	W	W1
	(mm)	1.75 ± 0.10	3.50 ± 0.05	4.00 ± 0.10	4.00 ± 0.10	2.00 ± 0.05	8.00 ± 0.30	14.4 MAX.
	(inch)	0.069 ± 0.004	0.138 ± 0.002	0.157 ± 0.004	0.157 ± 0.004	0.079 ± 0.002	0.315 ± 0.012	0.567 MAX.

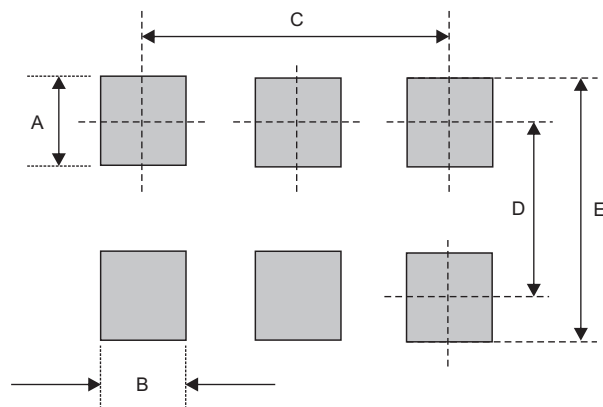
Marking Code

Part Number	Marking Code
CSRS065V0-G	5V4



Suggested PAD Layout

SIZE	SOT-23-6	
	(mm)	(inch)
A	1.10	0.043
B	0.60	0.024
C	0.95	0.037
D	2.50	0.098
E	3.60	0.142



Standard Package

Case Type	Qty per Reel	Reel Size
	(Pcs)	(inch)
SOT-23-6	3000	7