

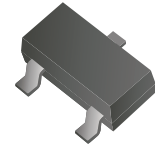
CJ3404-HF (N-Channel)

Reverse Voltage: 30 Volts

Forward Current: 5.8 A

RoHS Device

Halogen Free



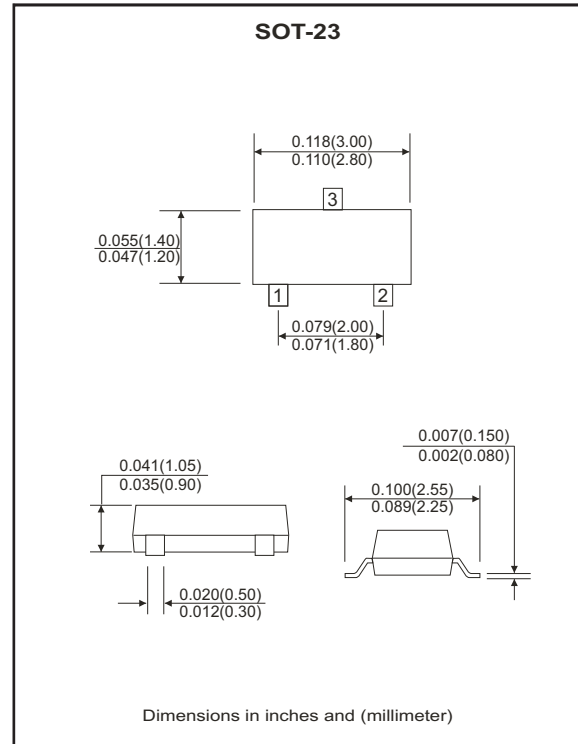
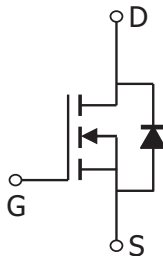
Features

- N-Channel
- Enhancement mode field effect transistor.
- Use advanced trench technology to provide excellent rds(on) and low gate charge
- This device is suitable for use as a load switch or in PWM applications.

Mechanical data

- Case: SOT-23, molded plastic.
- Terminals: solderable per MIL-STD-750, method 2026.

Circuit diagram



Maximum Ratings and Electrical Characteristics

(at Ta=25 °C unless otherwise noted)

Parameter	Symbol	Value	Units
Maximum drain-source voltage	V _{DS}	30	V
Maximum gate-source voltage	V _{GS}	±20	V
Maximum continuous drain current	I _D	5.8	A
Maximum pulsed drain current*	I _{DM}	30	A
Maximum power dissipation	P _D	350	W
Thermal resistance from Junction to ambient (t<5s)	R _{θJA}	357	°C/W
Junction temperature	T _J	150	°C
Storage temperature	T _{STG}	-55 to +150	°C

Note:

1. Repetitive rating: Pulse width limited by maximum junction temperature.

RATING AND CHARACTERISTIC CURVES (CJ3404-HF)

Fig.1 - Output Characteristics

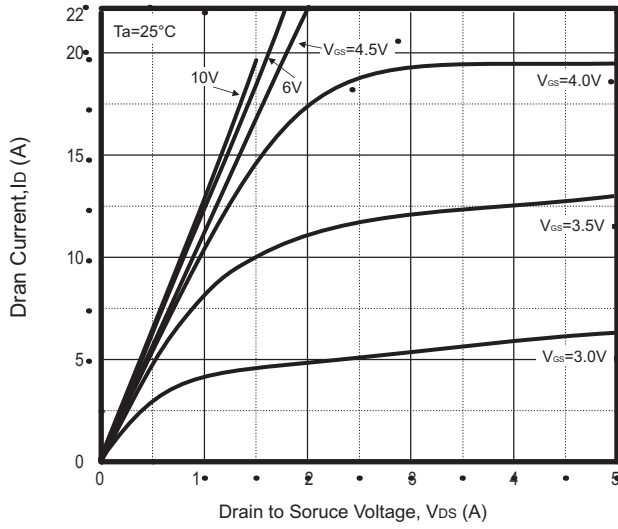


Fig.2 - Transfer Characteristics

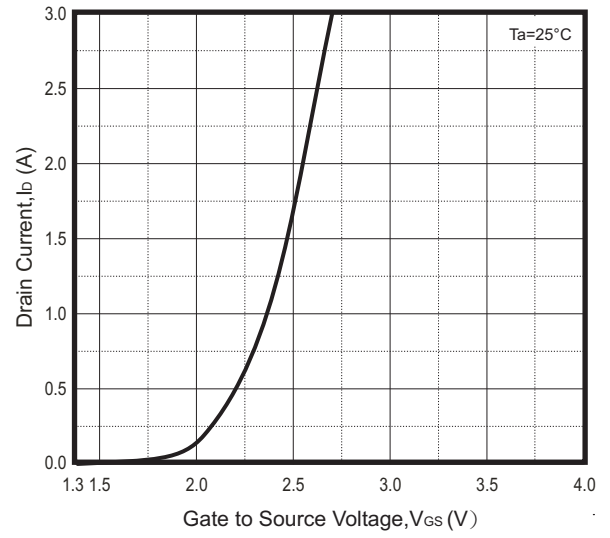


Fig.3 - $R_{DS(ON)}$ — I_D

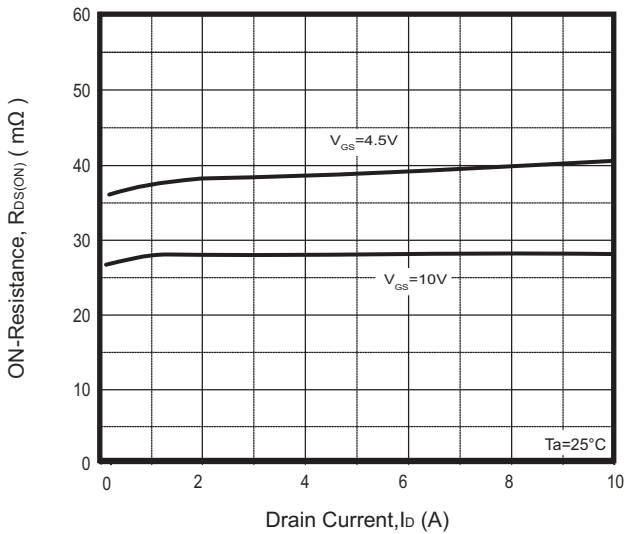


Fig.4- $R_{DS(ON)}$ — V_{GS}

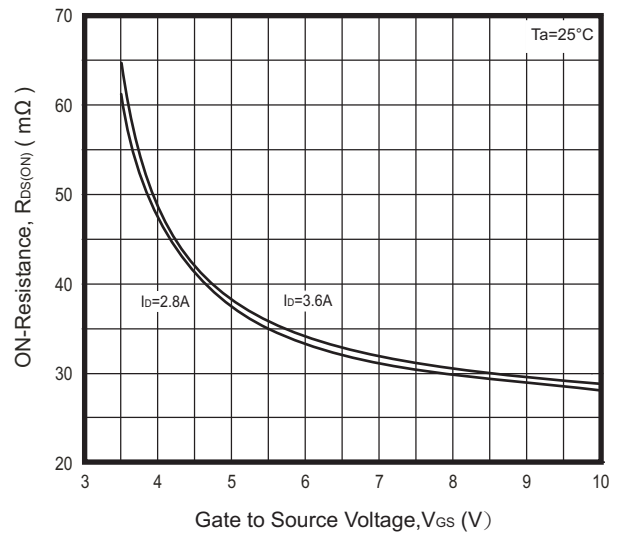
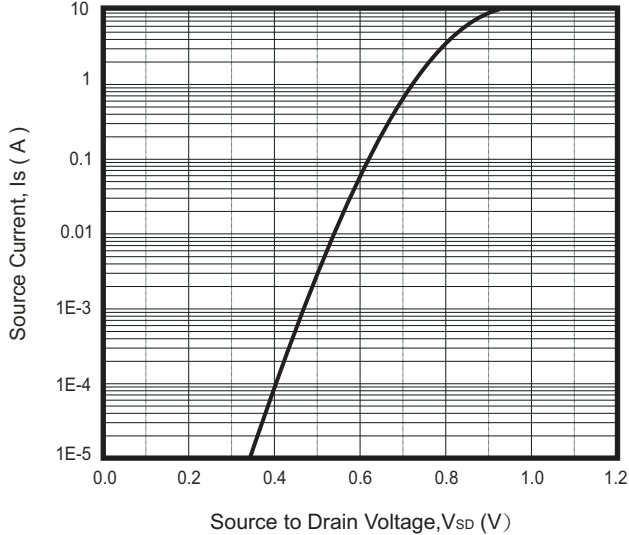
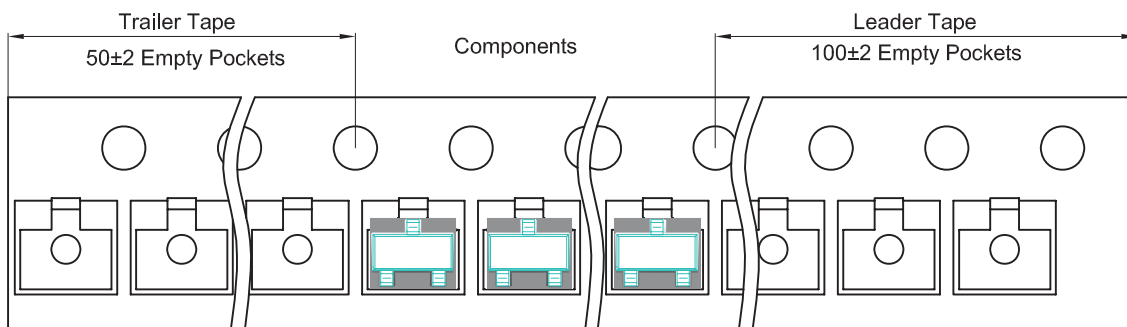
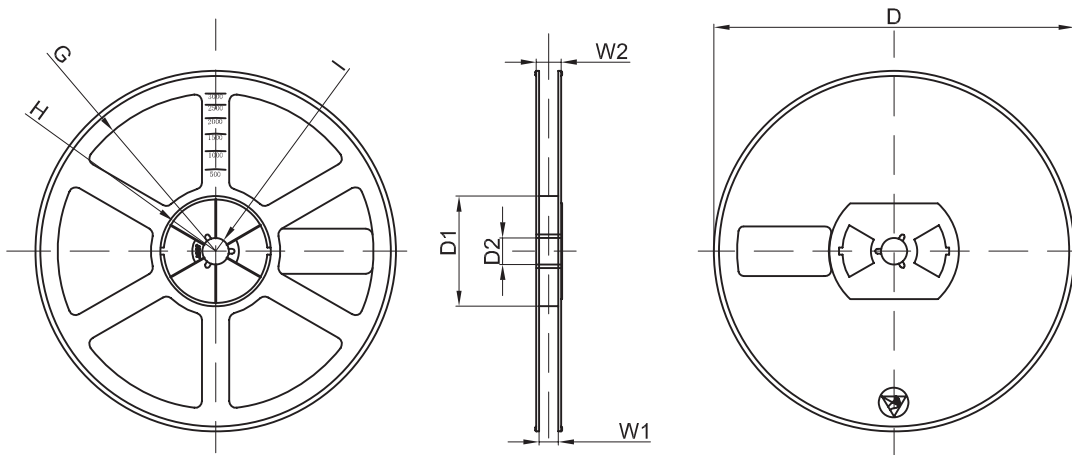
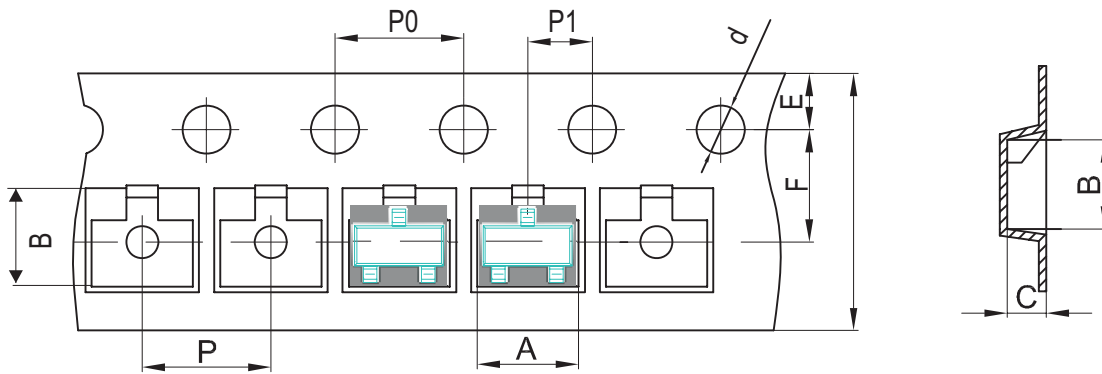


Fig.5 - I_S — V_{SD}



Reel Taping Specification

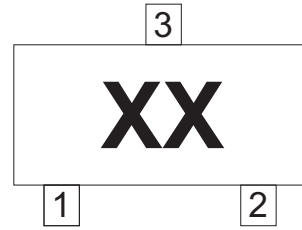


SOT-23	SYMBOL	A	B	C	d	D	D1	D2
	(mm)	3.15 ± 0.10	2.77 ± 0.10	1.22 ± 0.10	1.50 ± 0.10	178 ± 2.0	54.40 ± 1.0	13.00 ± 1.0
	(inch)	0.124 ± 0.004	0.109 ± 0.004	0.048 ± 0.004	0.059 ± 0.004	7.008 ± 0.079	2.142 ± 0.039	0.512 ± 0.039

SOT-23	SYMBOL	E	F	P	P0	P1	W	W1
	(mm)	1.75 ± 0.10	3.50 ± 0.05	4.00 ± 0.10	4.00 ± 0.10	2.00 ± 0.10	8.00 ± 0.30 / - 0.10	9.50 ± 1.00
	(inch)	0.069 ± 0.004	0.138 ± 0.002	0.158 ± 0.004	0.158 ± 0.004	0.079 ± 0.004	0.315 ± 0.012 / - 0.004	0.374 ± 0.039

Marking Code

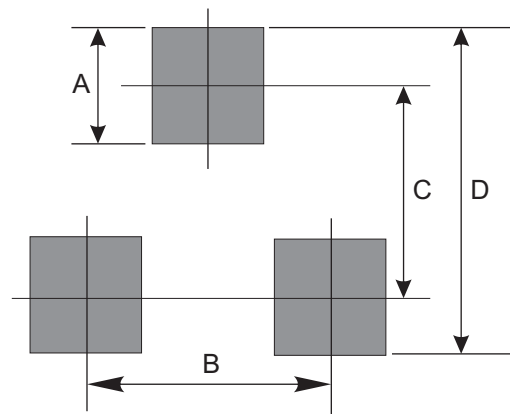
Part Number	Marking Code
CJ3404-HF	R4



xxx = Product type marking code

Suggested PAD Layout

SIZE	SOT-23	
	(mm)	(inch)
A	0.80	0.031
B	1.90	0.075
C	2.02	0.080
D	2.82	0.111



Standard Packaging

Case Type	Qty Per Reel	Reel Size
	(Pcs)	(inch)
SOT-23	3,000	7