

CHT-EUROPA-A1230

Preliminary Datasheet

Version: 1.1

High Temperature 1200V/30A Dual SiC Schottky Diode Module

General description

CHT-EUROPA-A1230 is a high temperature 1200V/30A Dual Silicon Carbide Schottky diode in a single hermetic module. It is suitable for applications such as DC-DC converters, PFC, or motor drives in high temperature environments. The two independent diodes can be used in parallel to deliver a total of 60A. This product is guaranteed for normal operation on the full range -55°C to +210°C (Tj). Each diode has a breakdown voltage in excess of 1200V. Schottky diode features fast switching, zero reverse recovery current.

Features (per diode)

- Specified from -55 to +210°C (Tj)
- Max Reverse Voltage V_R : 1200V
- Typ. Forward Voltage: 1.35V @ 30A
- Max Continuous Current: 30A
- Max Peak Rep Fwd Surge Current: 50A
- Hermetic package with isolated case

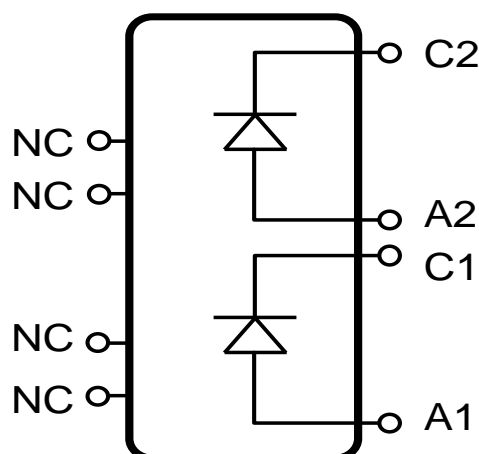
Benefits

- Support of high-frequency switching (almost no switching losses)
- Reduced Heat Sink requirement
- Extended lifetime and high reliability
- Harsh environments and high temperature power converters

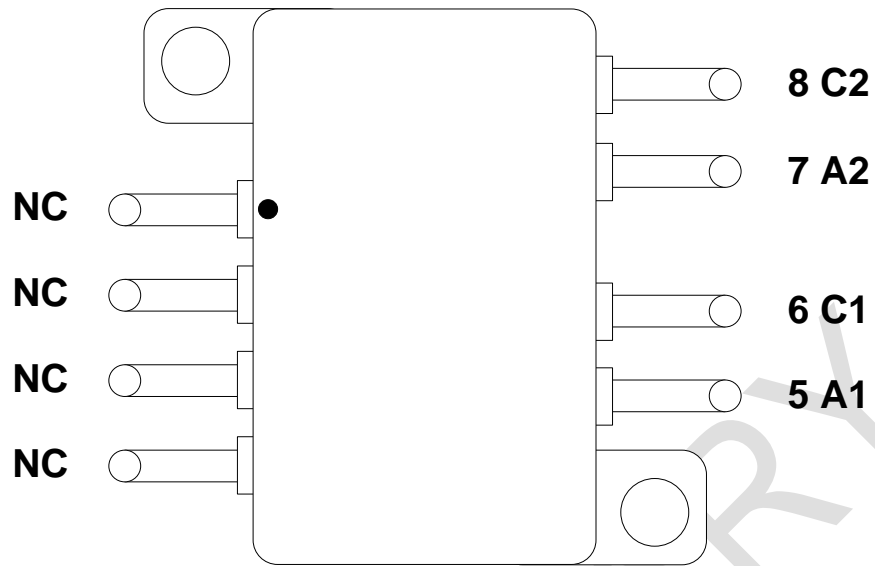
Applications

- AC rectification bridge
- Power Factor Correction
- DC motor drives and actuator control
- DC-DC converters

Functional Block Diagram



Package configuration and Pin Description



Pin ID	Pin Name	Pin Description	Pin Finish
1	NC	Not connected Pin	Nickel
2	NC	Not connected Pin	Nickel
3	NC	Not connected Pin	Nickel
4	NC	Not connected Pin	Nickel
5	A1	Anode of Diode 1 (Power Pin)	Nickel
6	C1	Cathode of Diode 1 (Power Pin)	Gold
7	A2	Anode of Diode 2 (Power Pin)	Nickel
8	C2	Cathode of Diode 2 (Power Pin)	Gold
	Body	Package body (isolated from Pins)	Nickel

Abs. Max. Ratings (per diode)

DC Blocking Voltage	1200V
Continuous Forward Current	30A
Max Junction temperature T_{jmax}	210°C
Power dissipation at $T_c=175^\circ\text{C}$ (*)	66W

Operating Conditions (per diode)

DC Blocking Voltage	1200V
Continuous Forward Current	30A
Rep. Peak Fwd Surge Current	50A
Junction temperature	-55°C to +210°C

ESD Rating

Human Body Model	>2kV
------------------	------

(*): per diode

PRELIMINARY

Electrical characteristics (per diode)

Unless otherwise stated, $T_j = 25^\circ\text{C}$. **Bold** figures point out values valid over the whole temperature range ($T_j = -55^\circ\text{C}$ to $+210^\circ\text{C}$).

Parameter	Symbol	Condition	Min	Typ	Max	Unit
DC Blocking Voltage	V_{DC}		1200			V
Forward Voltage	V_F	$T_j = 25^\circ\text{C}; I_F = 30\text{A}$		1.35		V
		$T_j = 210^\circ\text{C}; I_F = 30\text{A}$		1.8		V
Reverse Current	I_R	$T_j = 25^\circ\text{C}; V_R = 1200\text{A}$		80		μA
		$T_j = 210^\circ\text{C}; V_R = 1200\text{A}$		800		μA
Total Capacitive Charge	Q_C	$I = 30\text{A}, V_R = 600\text{V}, T_j = 25^\circ\text{C}, di/dt = 500\text{A}/\mu\text{s}$		122		nC
Total Capacitance	C	$T_j = 25^\circ\text{C}; V_R = 0\text{V}; f = 1\text{ MHz}$		TBD		pF
		$T_j = 25^\circ\text{C}; V_R = 200\text{V}; f = 1\text{ MHz}$		TBD		pF
		$T_j = 25^\circ\text{C}; V_R = 400\text{V}; f = 1\text{ MHz}$		TBD		pF

Thermal Characteristics (per diode)

Parameter	Symbol	Condition	Min	Typ	Max	Unit
Junction-to-Case Thermal resistance	$R_{\theta JC}$			0.7		$^\circ\text{C}/\text{W}$

Typical performances

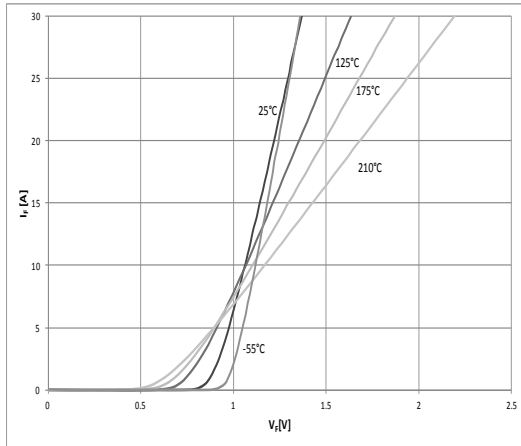


Figure 1: Diode I_F vs V_F

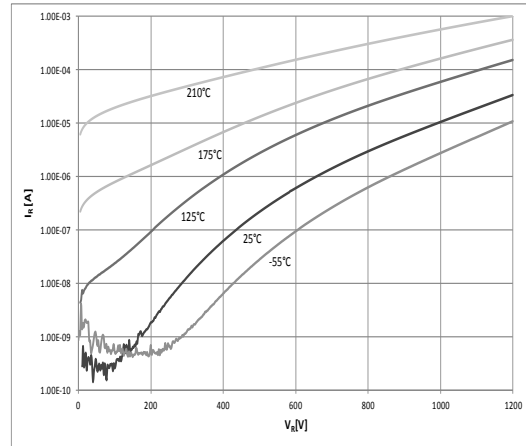
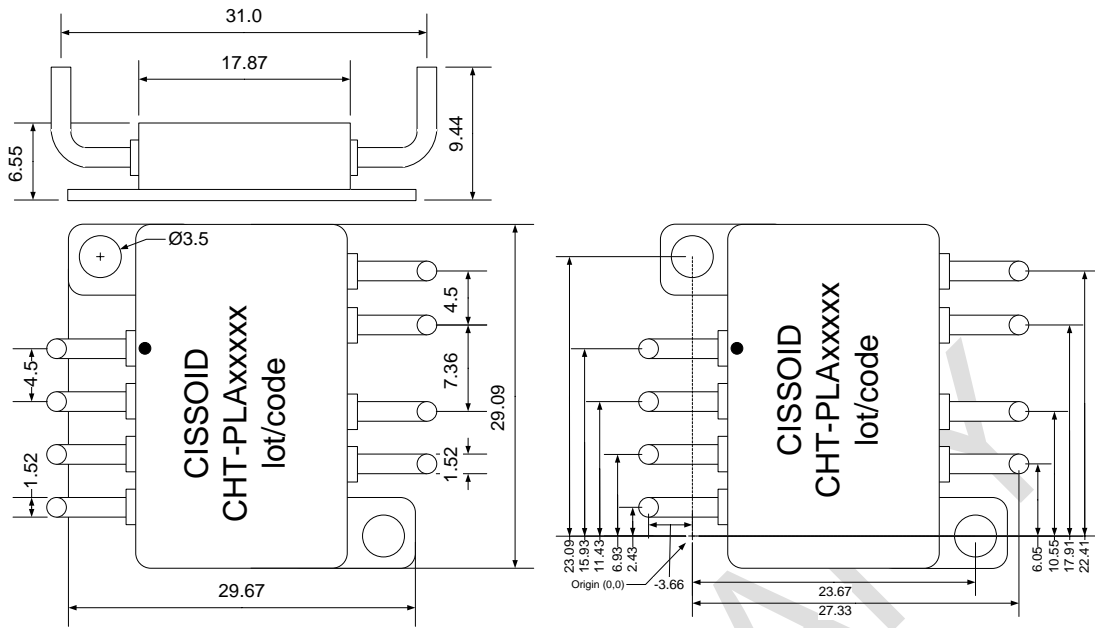


Figure 2: Diode I_R vs V_R

Package Dimensions



HM8A dimensions in mm (+/- 10%)

Ordering Information

Product Name	Ordering Reference	Package	Marking
CHT-EUROPA-A1230	CHT-PLA1971A-HM8A-T	HM8A	CHT-PLA1971A

Related products

Product Name	Function	Ordering Reference
CHT-EUROPA-A1220	Dual 1200V/20A Schottky Diode Module	CHT-PLA3143A-HM8A-T

Contact & Ordering

CISSOID S.A.

Headquarters and contact EMEA:	CISSOID S.A. – Rue Francqui, 3 – 1435 Mont Saint Guibert - Belgium T : +32 10 48 92 10 - F: +32 10 88 98 75 Email: sales@cissoid.com
Sales Representatives:	Visit our website: http://www.cissoid.com

Disclaimer

Neither CISSOID, nor any of its directors, employees or affiliates make any representations or extend any warranties of any kind, either express or implied, including but not limited to warranties of merchantability, fitness for a particular purpose, and the absence of latent or other defects, whether or not discoverable. In no event shall CISSOID, its directors, employees and affiliates be liable for direct, indirect, special, incidental or consequential damages of any kind arising out of the use of its circuits and their documentation, even if they have been advised of the possibility of such a damage. The circuits are provided "as is". CISSOID has no obligation to provide maintenance, support, updates, or modifications.