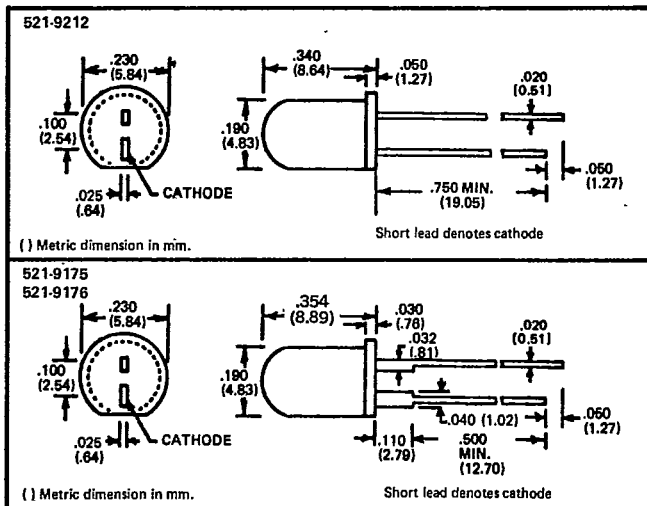




Solid State LED Lamps

T-1 3/4 with Diffused Lens

521-9212, 521-9175, 521-9176



521-9212 – Red diffused
521-9175 – Green diffused
521-9176 – Yellow diffused

Features

- High luminous intensity
- Low cost
- Low power consumption – IC compatible
- Vibration and shock resistant
- Solid state reliability – life measured in years
- Wide viewing angle
- T-1 3/4 type package

Absolute Maximum Ratings at $T_A = 25^\circ\text{C}$

Parameter	Red	Green	Yellow	Units
Power Dissipation (derate linearly from 25°C at $1.6\text{mW}/^\circ\text{C}$)	120	180	120	mW
Forward DC Current	50	60	50	mA
Peak Operating Forward Current (1 μsec Pulse 300 pps)	1	1	1	A
Operating and Storage Temperature	-55°C to $+100^\circ\text{C}$			
Lead Solder Temperature	260°C for 5 seconds			

Description

The 521-9212, -9175 and -9176 are respectively Gallium Arsenide Phosphide Red, Gallium Phosphide Green and Gallium Arsenide Phosphide on Gallium Phosphide Yellow Light Emitting Diodes. A large area light source of wide viewing angle is provided by the T-1 3/4 tinted diffused package.

Operating Characteristics at $T_A = 25^\circ\text{C}$

Symbol	Parameter	Description	Min.	Typ.	Max.	Units	Test Conditions
V_F	Forward Voltage	Red		1.7	2.0	V	$I_F = 20\text{mA}$
		Green & Yellow		2.3	3.0	V	$I_F = 20\text{mA}$
BVR	Reverse Voltage	Red	3.0	8.0		V	$I_R = 10\mu\text{A}$
		Green & Yellow	5.0	18.0		V	$I_R = 100\mu\text{A}$
λ_{pk}	Peak Wavelength	Red		650		nm	Measurement at Peak
		Green		565		nm	
		Yellow		570		nm	
I_V	Luminous Intensity	Red	1.0	2.0		mcd	$I_F = 20\text{mA}$
		Green	1.6	3.2		mcd	$I_F = 20\text{mA}$
		Yellow	1.6	3.2		mcd	$I_F = 20\text{mA}$

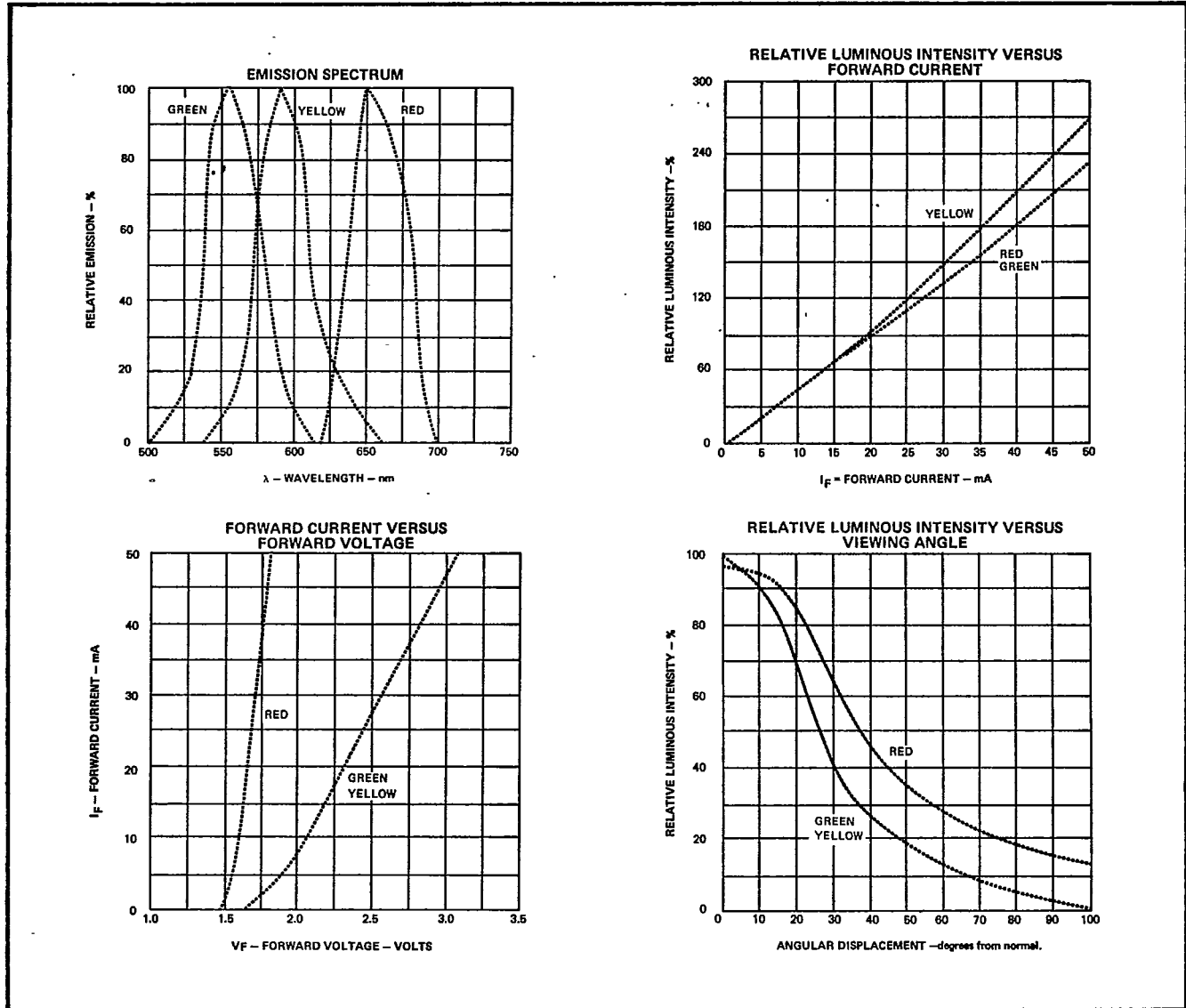
Snap-in Mount 515-0004 can be used with above lamps.

Dialight reserves the right to make changes at anytime in order to improve design and to supply the best product possible.

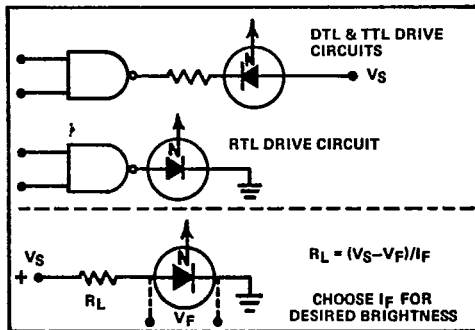
Solid State Lamps

T-1 3/4 with Diffused Lens

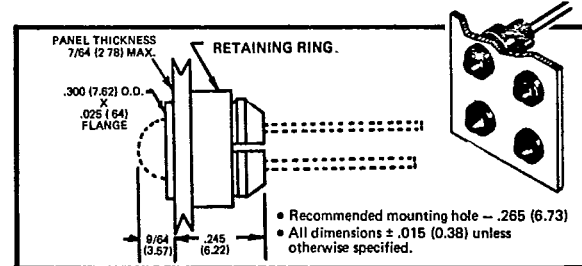
521-9212, 521-9175, 521-9176



Typical Drive Circuits



Snap-In Mount 515-0004 for use with Rear Mounted Lamps.



Mounting Instruction

1. snap mount into front of panel.
2. snap LED lamp into mount from rear.
3. snap retaining washer over mount from rear of panel.