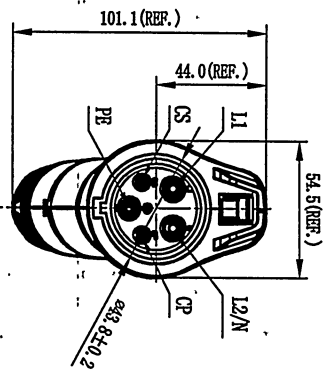
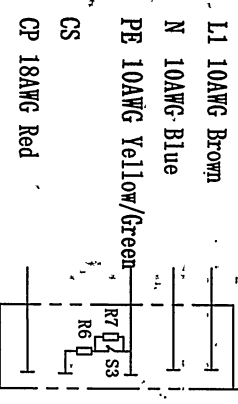


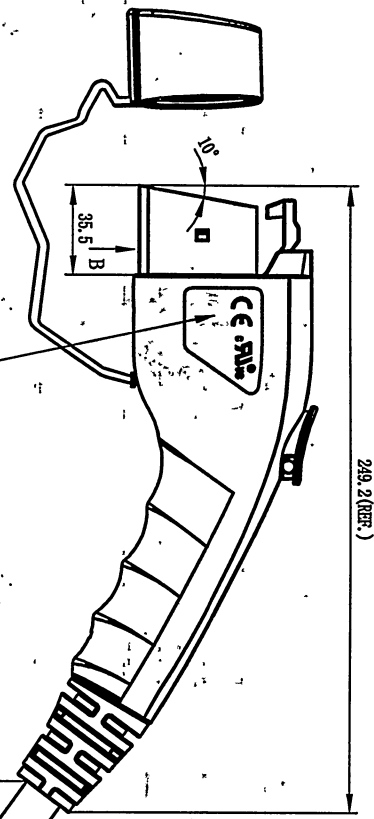
REVISION RECORD			
REV	ECN	DESCRIPTION	DATE



Wiring diagram

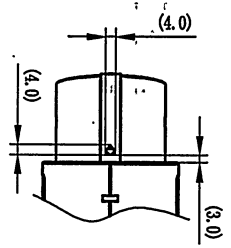


R6=150Ω ±3%
R7=330Ω ±3%

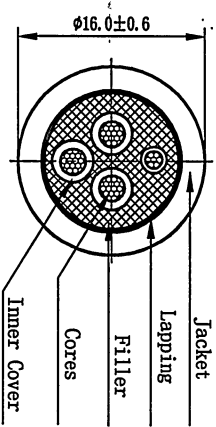
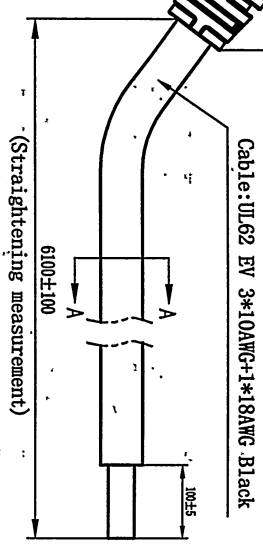


Laser Printing Front Note:

CE 5WV
Laser Printing Back Note(Arial):
MAAC-S-032A-V-03-6.1M-11AH
32A 240V AC
SAE J1772:2017
Type 3S
201XXXX-XXXX



B view



SEC A-A

NOTES:

1. Cable: UL62 EV 3*10AWG+1*18AWG Black
2. RoHS Compliance

MAACS032AV036.1M11AH

Housing Colour

Technical parameters

Rated voltage	240V AC
Rated current	32A
Temperature range	-30℃~+50℃
Insulate resistance	>5MΩ, 500V DC 1Min
Withstanding voltage	L, N AND PE, 2500V AC 1Min
Ingress protection	Type 3S
The insertion/pullout times	10000 TIMES
Insertion/pullout force	<75N
Reference standard	SAEJ1772:2017

Customer Drawing

Size Measure Range	.XX	.X
≤6	±0.05	±0.10
6~30	±0.10	±0.20
30~120	±0.15	±0.30
120~400	±0.20	±0.50
400~1000	±0.30	±0.80
1000~2000	±0.50	±1.20
Angle Measure Range	.XX	.X
	±0.5°	±1.0°

PKT NO.:/	
APPD:	ZX 20190924
CMRD:	
DWTT:	XF LU0 2019-09-24

		宁波德松电子有限公司 NINGBO DEGSON ELECTRICAL CO., LTD	
NAME:	Vehicle Connector (32A AC single phase)	REV	DO-1
MAAC-S-032A-V-03-6.1M-11AH		SHEET	1/1
TITLE: Customer Drawing		SCALE	1:1
DRAWING NO.:/		DO NOT SCALE DRAWING	