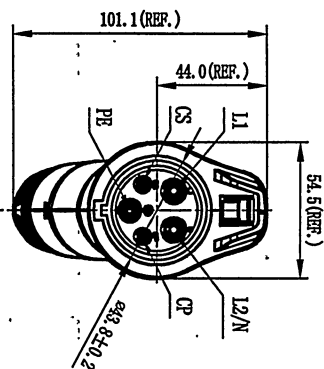
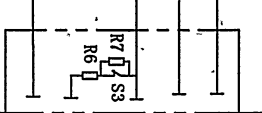


REVISION RECORD			
REV	ECN	DESCRIPTION	DATE

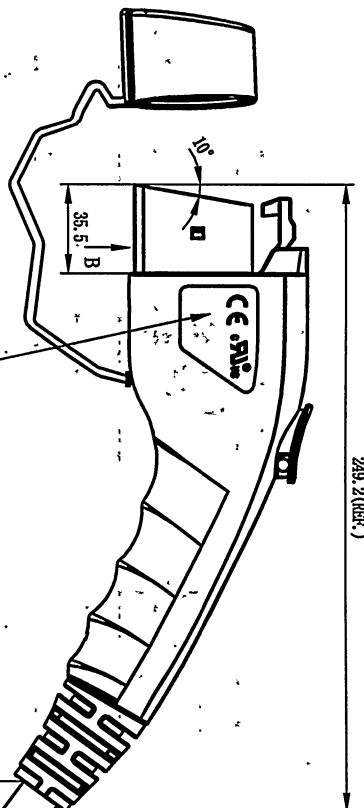


Wiring diagram

- L1 10AWG Brown
- N 10AWG Blue
- PE 10AWG Yellow/Green
- CS
- CP 18AWG Red



R6=150Ω ±3%
R7=330Ω ±3%

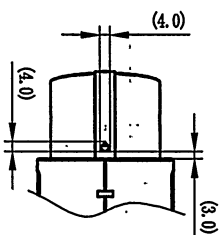


Laser Printing Front Note:

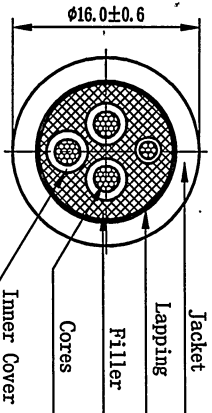
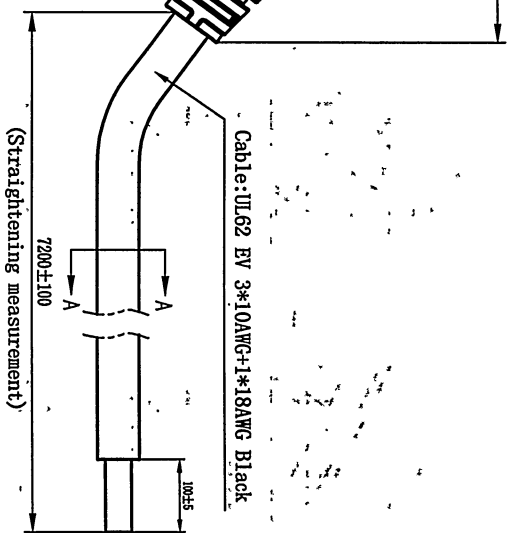
CE 32A

Laser Printing Back Note (Arial):

MAAC-S-032A-V-03-7.2M-11AH
32A 240V AC
SAE-J1772:2017
Type 3S
201xxxxx-xxxx



B view



SEC A-A

NOTES:

1. Cable: UL62 EV 3*10AWG+1*18AWG Black
2. RoHS Compliance

MAACS032AV037.2M11AH

Housing Colour

Technical parameters

Rated voltage	240V AC
Rated current	32A
Temperature range	-30°C~+50°C
Insulate resistance	>5MΩ, 500V DC 1Min
Withstanding voltage	L, N AND PE, 2500V AC 1Min L AND N, 2500V AC 1Min
Ingress protection	Type 3S
The insertion/pullout times	10000 TIMES
Insertion/pullout force	<75N
Reference standard	SAEJ1772:2017

Customer Drawing

Size Measure Range	.XX	.X
≤6	±0.05	±0.10
6~30	±0.10	±0.20
30~120	±0.15	±0.30
120~400	±0.20	±0.50
400~1000	±0.30	±0.80
1000~2000	±0.50	±1.20
Angle Measure Range	±0.5°	±1.0°

DETACHED LISTS

PART NO.:		NAME:	NINGBO DEGSON ELECTRICAL CO., LTD
APPD:	ZX	DATE:	20190924
CHKD:		TITLE:	Vehicle Connector (32A AC single phase)
DWRT:	XF LUD 2019-09-24	DRAWING NO.:	MAAC-S-032A-V-03-7.2M-11AH
THIRD ANGLE PROJECTION		DO NOT SCALE DRAWING	
SCALE	1:3	REV	DO-1

NINGBO DEGSON ELECTRICAL CO., LTD
宁波德松电子有限公司

Vehicle Connector (32A AC single phase)

MAAC-S-032A-V-03-7.2M-11AH

SAEJ1772:2017

1:3