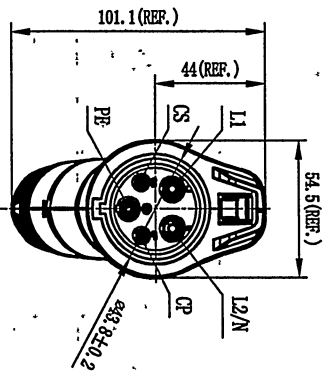
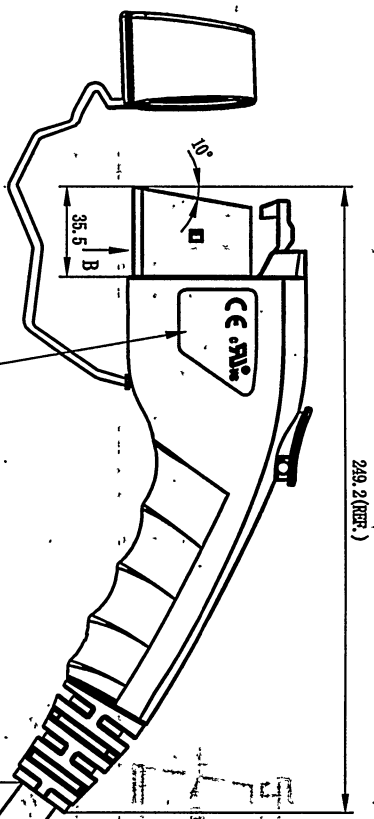
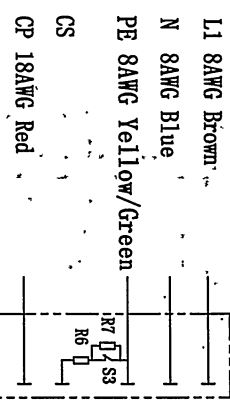


REVISION RECORD			
REV	ECN	DESCRIPTION	DATE

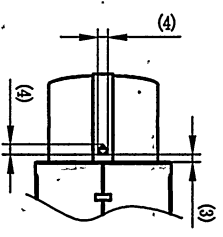


Wiring diagram

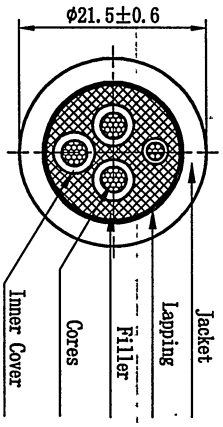
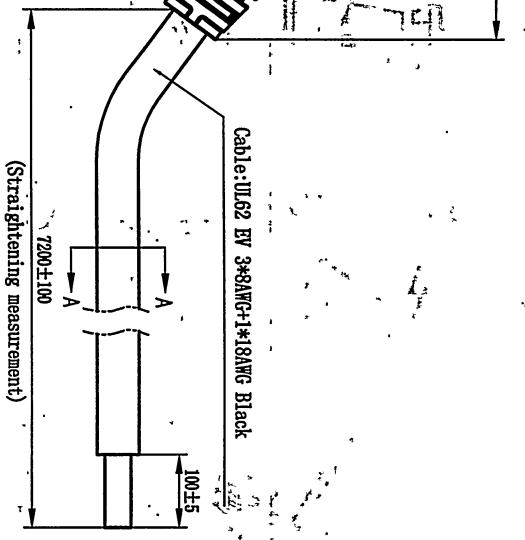


Laser Printing Front Note:

**CE**  
 Laser Printing Back Note (Arial):  
 MAAC-S-040A-V-03-7.2M-11AH  
 40A 240V AC  
 SAE-J1772-2017  
 Type 3S  
 201xxxx-xxxx



B view



SEC A-A

MAACSO40AV037.2M11AH

Housing Colour

Customer Drawing

Technical parameters	
Rated voltage	240V AC
Rated current	40A
Temperature range	-30°C~+50°C
Insulate resistance	>5MΩ, 500V DC 1Min
Withstanding voltage	L, N AND PE, 2500V AC 1Min L AND N, 2500V AC 1Min
Ingress protection	Type 3S
The insertion/pullout times	10000 TIMES
Insertion/pullout force	<75N
Reference standard	SAE J1772:2017

Size Measure Range	.XX	.X
≤6	±0.05	±0.10
6~30	±0.10	±0.20
30~120	±0.15	±0.30
120~400	±0.20	±0.50
400~1000	±0.30	±0.80
1000~2000	±0.50	±1.20
Angle Measure Range	±0.5°	±1.0°

DEGSON® NINGBO DEGSON ELECTRICAL CO., LTD 宁波高松电子有限公司	NAME: Vehicle Connector (40A AC single phase)
PART NO. : /	MAAC-S-040A-V-03-7.2M-11AH
APP: ZX 20190924	DRFT: XE LUD 2019-09-24
CHD: /	TITLE: Customer Drawing
THIRD ANGLE PROJECTION	DRAWING NO. : /
DO NOT SCALE DRAWING	REV: DO-1
SCALE: 1:3	SHEET: 1/1