

Extensive range of 4, 9, 14, 19 and 30 contact power connectors

# MIL-DTL-12520 power connectors



**EATON**

*Powering Business Worldwide*

# MIL-DTL-12520 Receptacles and Plugs

- Comprehensive range of MIL-DTL-12520 plugs and receptacles in round and cathedral form factors.
- Corrosion resistant, aluminum-alloy receptacles.
- Rugged plug designs feature solid brass bodies and steel nosepieces.
- Gold over nickel plated contacts.
- Custom solution capabilities include wiring harnesses and cable assemblies.



## Electrical

### Dielectric Strength

|                       |                                   |
|-----------------------|-----------------------------------|
| 4, 9 & 14 Contacts    | 2800 Volts RMS                    |
| 19 Contacts           | 2000 Volts RMS                    |
| 30 Contacts           | 1500 Volts RMS                    |
| Insulation Resistance | 1000 Megohms min. at 500 Volts DC |

### Voltage Drop

|                    |                   |
|--------------------|-------------------|
| 4 Contact          | 20 MV at 35 Amps  |
| 9, 14 & 19 Contact | 21 MV at 20 Amps  |
| 30 Contacts        | 25 MV at 7.5 Amps |

## Mechanical

|                   |  |
|-------------------|--|
| Air pressure      | 2.5 PSI  |
| Water immersion   | 6 feet for 48 hours                                  |
| Durability        | 500 cycles with a coupling torque of 25 inch pounds. |
| Contact retention | 15 pounds  |
| Insert strength   | 400 pounds   |

## Panel Mount Solutions

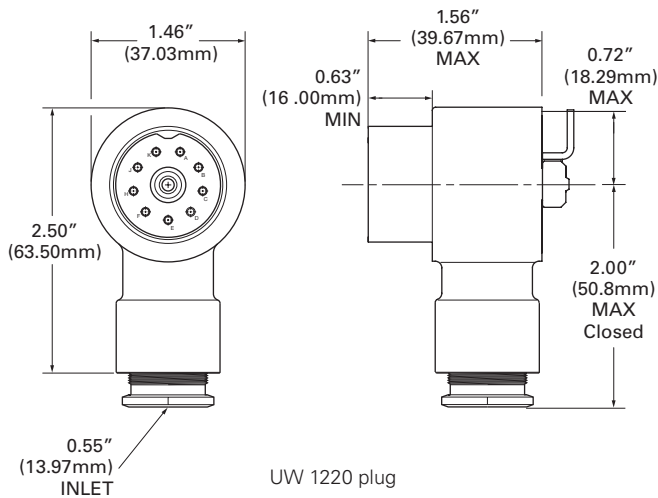
| Configuration    | Contact Type | Number of Contacts | Contact Size | Part Number |
|------------------|--------------|--------------------|--------------|-------------|
| Small Receptacle | Socket       | 4                  | 12           | UW2020FA00  |
|                  |              | 9                  | 12           | UW2020FB00  |
|                  | Pin          | 4                  | 12           | UW2020MA00  |
|                  |              | 9                  | 12           | UW2020MB00  |
| Large Receptacle | Socket       | 14                 | 16           | UW2026FC00  |
|                  |              | 19                 | 16           | UW2026FD00  |
|                  |              | 30                 | 20           | UW2026FE00  |
|                  | Pin          | 14                 | 16           | UW2026MC00  |
|                  |              | 19                 | 16           | UW2026MD00  |
|                  |              | 30                 | 20           | UW2026ME00  |

# MIL-DTL-12520 UW Series

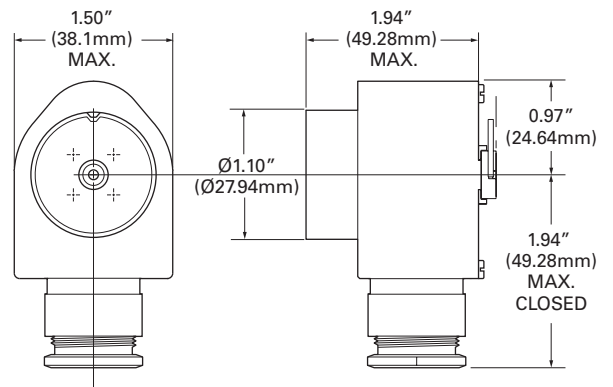
## Cable Mount Solutions

| Configuration        | Contact Type | Number of Contacts | Contact Size | Part Number |
|----------------------|--------------|--------------------|--------------|-------------|
| Round Plug           | Socket       | 4                  | 12           | UW1220FAXX  |
|                      |              | 9                  | 12           | UW1220FBXX  |
|                      | Pin          | 4                  | 12           | UW1220MAXX  |
|                      |              | 9                  | 12           | UW1220MBXX  |
| Small Cathedral Plug | Socket       | 4                  | 12           | UW1320FAXX  |
|                      |              | 9                  | 12           | UW1320FBXX  |
|                      | Pin          | 4                  | 12           | UW1320MAXX  |
|                      |              | 9                  | 12           | UW1320MBXX  |
| Large Cathedral Plug | Socket       | 14                 | 16           | UW1326FCXX  |
|                      |              | 19                 | 16           | UW1326FDXX  |
|                      |              | 30                 | 20           | UW1326FEXX  |
|                      | Pin          | 14                 | 16           | UW1326MCXX  |
|                      |              | 19                 | 16           | UW1326MDXX  |
|                      |              | 30                 | 20           | UW1326MEXX  |

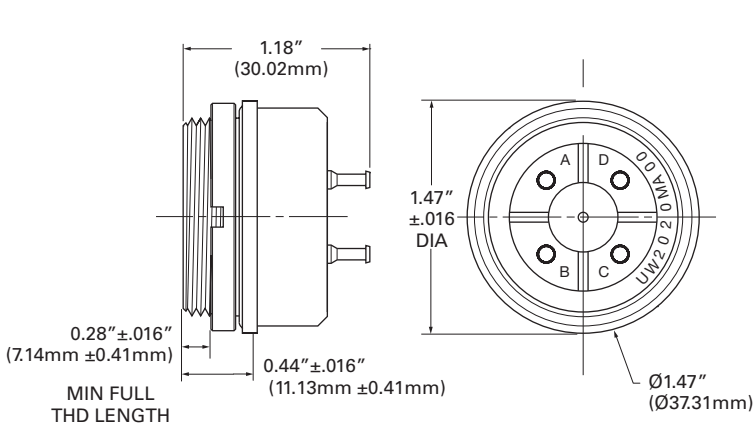
| XX Value | Cable Diameter (Inches) |
|----------|-------------------------|
| 11       | 0.292 to 0.343          |
| 13       | 0.323 to 0.406          |
| 15       | 0.386 to 0.486          |
| 17       | 0.448 to 0.531          |
| 19       | 0.511 to 0.593          |
| 21       | 0.573 to 0.656          |
| 23       | 0.636 to 0.718          |
| 25       | 0.698 to 0.781          |
| 27       | 0.761 to 0.843          |



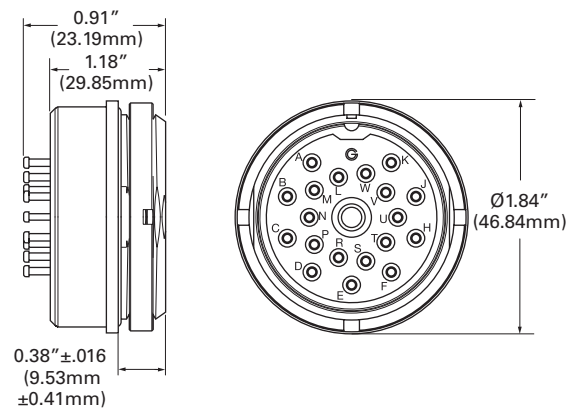
UW 1220 plug



UW 1320 plug



UW2020MA00 receptacle



UW2026FD00 receptacle