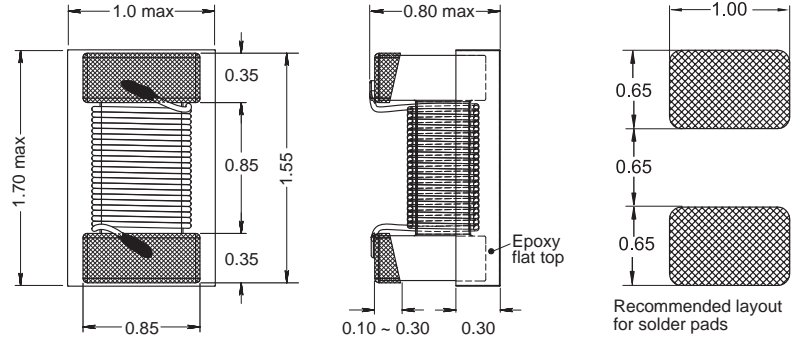
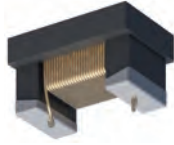




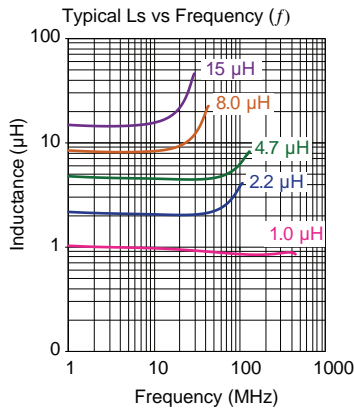
# 0603 FLP

Semi-shielded  
Low Profile Design



Chip Inductors for RF Applications

Wire wound - open



Part No	Inductance	f <sub>L</sub> (MHz)	Tol ± (%)	SRF typ (MHz)	DCR max (Ω)	Rated DC Current (mA)	
	L (µH)					I <sub>sat</sub>	I <sub>rms</sub>
0603FLP-1R0X-YY	1.0	1.0	15,20	700	0.400	560	580
0603FLP-1R5X-YY	1.5	1.0	15,20	210	0.430	450	560
0603FLP-2R0X-YY	2.0	1.0	15,20	115	0.520	440	510
0603FLP-2R2X-YY	2.2	1.0	15,20	100	0.540	420	510
0603FLP-3R3X-YY	3.3	1.0	15,20	120	0.790	330	400
0603FLP-4R5X-YY	4.5	1.0	15,20	115	1.200	280	300
0603FLP-4R7X-YY	4.7	1.0	15,20	120	1.560	280	280
0603FLP-6R8X-YY	6.8	1.0	15,20	105	1.930	240	260
0603FLP-8R0X-YY	8.0	1.0	15,20	40	2.500	180	220
0603FLP-100X-YY	10	1.0	15,20	45	2.850	180	200
0603FLP-150X-YY	15	1.0	15,20	25	3.350	160	200

Core Material: Ferrite

Revision date: 11 Jan 2022

SPQ: Taped / Reel 1000 [-08]  
4000 [-01]  
15000 [-04]

Remarks: Unlisted inductance values available upon request.

