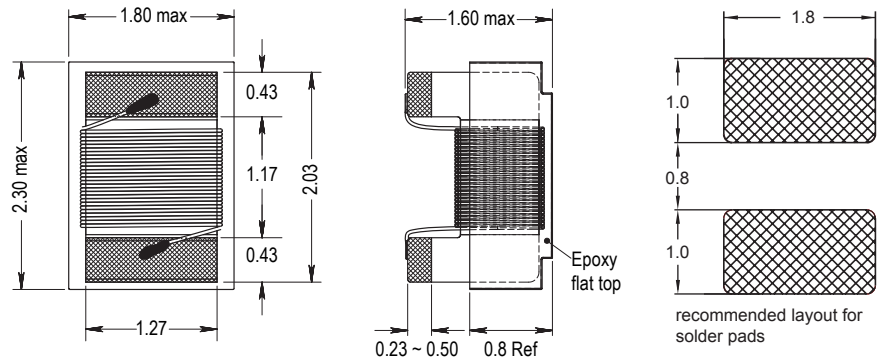
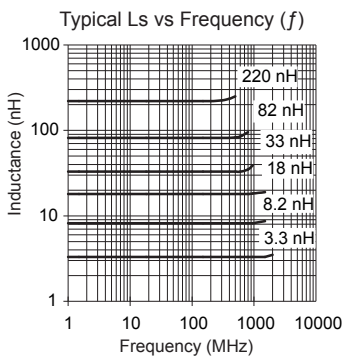
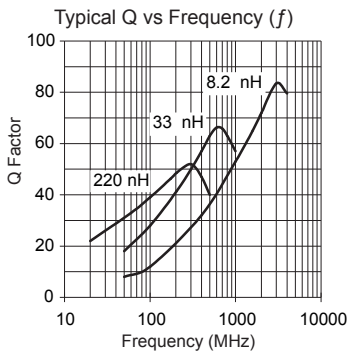
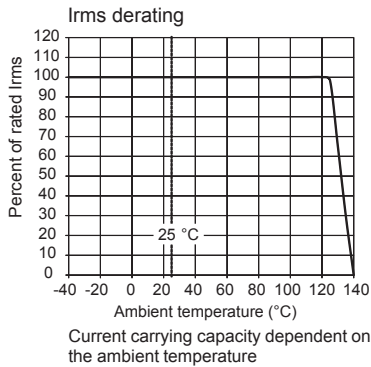


# 0805 ASM

Non-magnetic



Chip Inductors for RF / Medical Applications (Wire wound -open)



Single layer (typ)

| Part No        | Inductance | fL    | ToI   | Q   | f <sub>α</sub> | SRF      | DCR     | Rated DC     |
|----------------|------------|-------|-------|-----|----------------|----------|---------|--------------|
|                | L (nH)     | (MHz) | ± (%) | min | (MHz)          | (MHz)    | max (Ω) | Current (mA) |
| 0805AS-2N7K-YY | 2.7        | 250   | 10    | 80  | 1500           | 6000 min | 0.08    | 600          |
| 0805AS-3N3K-YY | 3.3        | 250   | 10    | 50  | 1500           | 6000 min | 0.08    | 600          |
| 0805AS-5N6K-YY | 5.6        | 250   | 10    | 53  | 1000           | 5500 min | 0.11    | 600          |
| 0805AS-5N8K-YY | 5.8        | 250   | 10    | 50  | 1000           | 5500 min | 0.11    | 600          |
| 0805AS-6N8K-YY | 6.8        | 250   | 10    | 50  | 1000           | 5500 min | 0.11    | 600          |
| 0805AS-8N0K-YY | 8.0        | 250   | 10    | 51  | 1000           | 4700 min | 0.12    | 600          |
| 0805AS-8N2K-YY | 8.2        | 250   | 10    | 50  | 1000           | 4700 min | 0.12    | 600          |
| 0805AS-010J-YY | 10         | 250   | 5     | 43  | 1000           | 4300 min | 0.13    | 600          |
| 0805AS-012J-YY | 12         | 250   | 5     | 50  | 500            | 4000 min | 0.15    | 600          |
| 0805AS-015J-YY | 15         | 250   | 5     | 50  | 500            | 3400 min | 0.17    | 600          |
| 0805AS-018J-YY | 18         | 250   | 5     | 53  | 500            | 3300 min | 0.20    | 500          |
| 0805AS-022J-YY | 22         | 250   | 5     | 57  | 500            | 2600 min | 0.22    | 500          |
| 0805AS-027J-YY | 27         | 250   | 5     | 55  | 500            | 2500 min | 0.25    | 500          |
| 0805AS-033J-YY | 33         | 250   | 5     | 60  | 500            | 2050 min | 0.27    | 500          |
| 0805AS-036J-YY | 36         | 250   | 5     | 60  | 500            | 2050 min | 0.27    | 600          |
| 0805AS-039J-YY | 39         | 250   | 5     | 60  | 500            | 2000 min | 0.29    | 500          |
| 0805AS-047J-YY | 47         | 200   | 5     | 65  | 500            | 1650 min | 0.31    | 500          |
| 0805AS-056J-YY | 56         | 200   | 5     | 64  | 500            | 1550 min | 0.34    | 500          |
| 0805AS-068J-YY | 68         | 200   | 5     | 65  | 500            | 1450 min | 0.38    | 400          |
| 0805AS-075J-YY | 75         | 200   | 5     | 55  | 500            | 1300 min | 0.42    | 400          |
| 0805AS-082J-YY | 82         | 150   | 5     | 67  | 500            | 1300 min | 0.42    | 400          |
| 0805AS-R10J-YY | 100        | 150   | 5     | 65  | 500            | 1200 min | 0.46    | 400          |
| 0805AS-R12J-YY | 120        | 150   | 5     | 52  | 250            | 1100 min | 0.51    | 400          |
| 0805AS-R13J-YY | 130        | 100   | 5     | 53  | 250            | 920 min  | 0.56    | 400          |
| 0805AS-R15J-YY | 150        | 100   | 5     | 60  | 250            | 920 min  | 0.56    | 400          |
| 0805AS-R18J-YY | 180        | 100   | 5     | 50  | 250            | 870 min  | 0.64    | 400          |
| 0805AS-R20J-YY | 200        | 100   | 5     | 54  | 250            | 850 min  | 0.70    | 400          |
| 0805AS-R22J-YY | 220        | 100   | 5     | 59  | 250            | 850 min  | 0.70    | 400          |
| 0805AS-R24J-YY | 240        | 100   | 5     | 52  | 250            | 850 min  | 0.80    | 400          |
| 0805AS-R25J-YY | 250        | 100   | 5     | 52  | 250            | 850 min  | 0.80    | 400          |
| 0805AS-R27J-YY | 270        | 100   | 5     | 40  | 100            | 820 min  | 1.50    | 280          |
| 0805AS-R29J-YY | 290        | 100   | 5     | 40  | 100            | 795 min  | 1.80    | 260          |
| 0805AS-R30J-YY | 300        | 100   | 5     | 40  | 100            | 795 min  | 1.80    | 260          |
| 0805AS-R33J-YY | 330        | 100   | 5     | 40  | 100            | 790 min  | 1.80    | 260          |
| 0805AS-R39J-YY | 390        | 100   | 5     | 42  | 100            | 750 min  | 2.00    | 200          |
| 0805AS-R47J-YY | 470        | 100   | 5     | 40  | 100            | 720 min  | 2.50    | 170          |
| 0805AS-R56J-YY | 560        | 100   | 5     | 40  | 100            | 650 min  | 3.50    | 170          |
| 0805AS-R68J-YY | 680        | 50    | 5     | 37  | 75             | 450 min  | 3.50    | 170          |

Core Material : Ceramic

Revision date : 18 Aug 2016

SPQ : Taped / Reel 1000 [-08]  
2500 [-01]  
7500 [-04]

Remarks : - For not listed inductance values please check availability with us.  
- 2% and 5% tolerance available on request.