

Harvatek 5.0mm Round LED LAMP**HV-62R3303D-TR1**

Official Product	HV-62R3303D-TR1	Customer Part No.	Data Sheet No.
	*****	*****	CDAE-010-678
Specifications are subject to change without notice. Data and drawings herein are copyrighted.	Oct. 31 2019	Version of 1.0	Page 1/12

DISCLAIMER

HARVATEK reserves the right to make changes without further notice to any products herein to improve reliability, function or design. HARVATEK does not assume any liability arising out of the application or use of any product or circuit described herein; neither does it convey any license under its patent rights, nor the rights of others.

LIFE SUPPORT POLICY

HARVATEK's products are not authorized for use as critical components in life support devices or systems without the express written approval of the President of HARVATEK or HARVATEK INTERNATIONAL. As used herein:

1. Life support devices or systems are devices or systems which, (a) are intended for surgical implant into the body, or (b) support or sustain life, and (c) whose failure to perform when properly used in accordance with instructions for use provided in the labeling, can be reasonably expected to result in a significant injury of the user.

2. A critical component in any component of a life support device or system whose failure to perform can be reasonably expected to cause the failure of the life support device or system, or to affect its safety or effectiveness.

Official Product	HV-62R3303D-TR1	Customer Part No.		Data Sheet No.
	*****	*****		CDAE-010-678
Specifications are subject to change without notice. Data and drawings herein are copyrighted.		Oct. 31 2019	Version of 1.0	Page 2/12

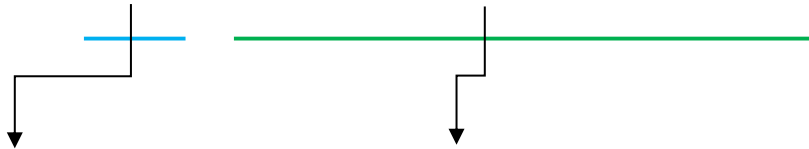
Compliance and Certification

ISO9002, QS9000 and ISO14001 Certified
RoHS Compliant



Orderable Information

HV - 62 R 3303 D - TR1



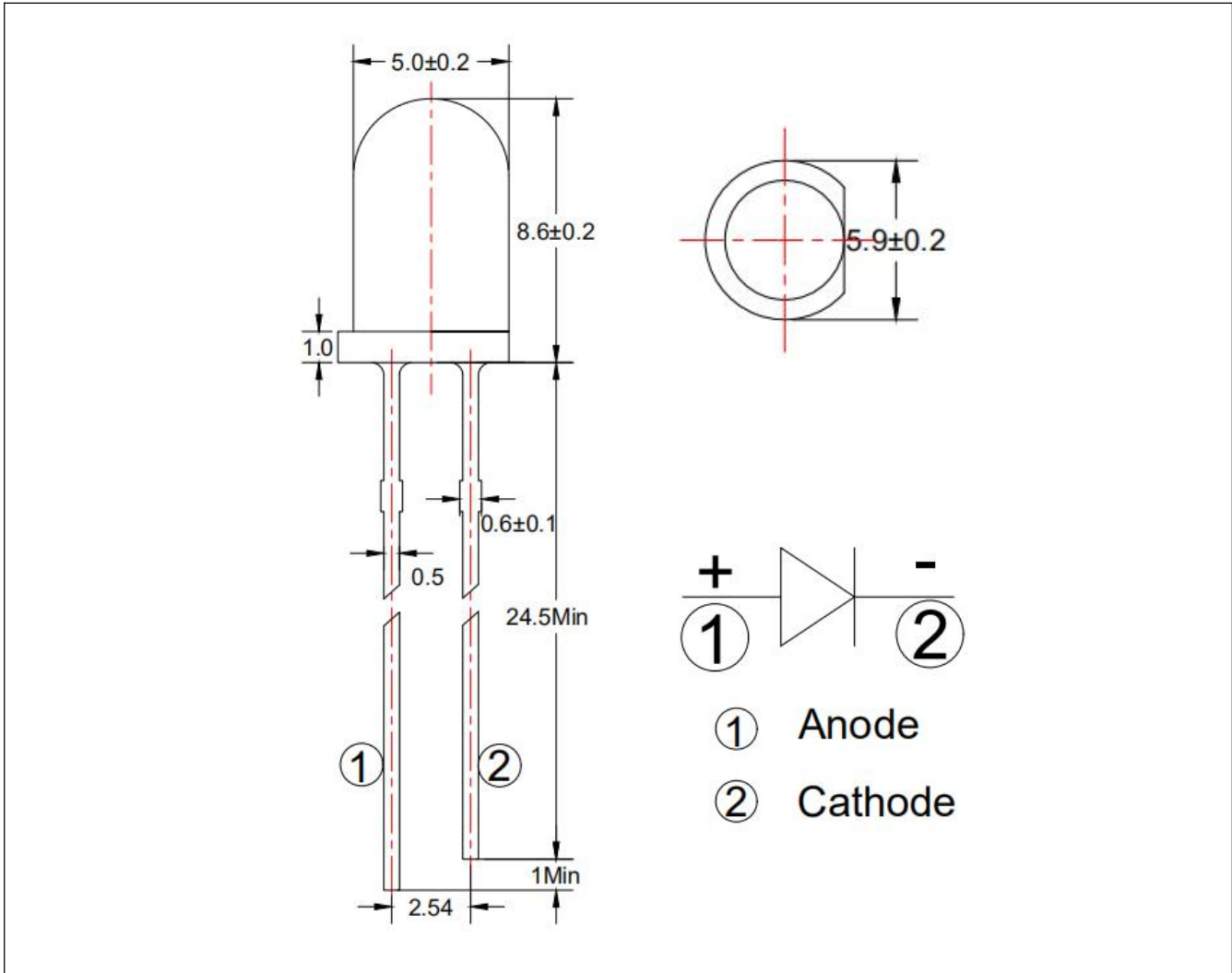
Series Name	Color Code	Remark
HV : HARVATEK	62R3303: 5.0mm Round LED LAMP,8.7mm Lens. AlGaInP 622nm Red chip D : Red Diffused TR1:HARVATEK Part No.	

Features:

- Stable Color
- Popular 5.0mm through hole package, 8.7mm lens height.
- Red Diffused lens

Official Product	HV-62R3303D-TR1	Customer Part No.	Data Sheet No.
	*****	*****	CDAE-010-678
Specifications are subject to change without notice. Data and drawings herein are copyrighted.		Oct. 31 2019	Version of 1.0
			Page 3/12

Package Dimensions:



Notes:

1. All dimensions are millimeters.
2. Tolerance is +/-0.25mm unless otherwise noted.
3. Specifications are subject to change without notice.

Official Product	HV-62R3303D-TR1 *****	Customer Part No.	Data Sheet No.
		*****	CDAE-010-678
Specifications are subject to change without notice. Data and drawings herein are copyrighted.	Oct. 31 2019	Version of 1.0	Page 4/12

Absolute Maximum Ratings at Ta=25°C

Parameter	Symbol	Rating	Unit
Forward Current	I _F	30	mA
Operating Temperature	T _{opr}	-40to+85	°C
Storage Temperature	T _{stg}	-40to+100	°C
Soldering Temperature*1	T _{sol}	260±5	°C
Power Dissipation	P _d	75	mW
Reverse Voltage	V _R	5	V
Peak Forward Current*2	I _{FP}	0.1	A

*1:Soldering time ≦ 5 seconds. *2 Pulse Width ≦ 100 μ s and Duty ≦ 1%.

Official Product	HV-62R3303D-TR1	Customer Part No.	Data Sheet No.
	*****	*****	CDAE-010-678
Specifications are subject to change without notice. Data and drawings herein are copyrighted.		Oct. 31 2019	Version of 1.0
			Page 5/12

Electrical and Optical Characteristic

Parameter	Symbol	Condition	Min.	Typ.	Max.	Unit
Forward Voltage	V_F	$I_F=20\text{ mA}$	/	2.0	2.4	V
Reverse Current	I_R	$V_R=5\text{ V}$	/	/	10	μA
Luminous Intensity	I_V	$I_F=20\text{ mA}$	/	80	/	mcd
Viewing Angle	$2\theta_{1/2}$	$I_F=20\text{ mA}$	/	30	/	deg
Dominant Wavelength	λ_d	$I_F=20\text{ mA}$	618	623	/	nm
Peak Wavelength	λ_p	$I_F=20\text{ mA}$	620	625	/	nm
Spectrum Radiation Bandwidth	$\Delta\lambda$	$I_F=20\text{ mA}$	/	45	/	nm

Notes: $\theta_{1/2}$ is the angle from optical centerline where the luminous intensity is 1/2 the optical centerline value.

Official Product	HV-62R3303D-TR1	Customer Part No.	Data Sheet No.
	*****	*****	CDAE-010-678
Specifications are subject to change without notice. Data and drawings herein are copyrighted.		Oct. 31 2019	Version of 1.0
			Page 6/12

Specifications for Bin Grading:

Iv (mcd)		
Grade	Min.	Max.
L	10	20
M	16	32
N	25	50
P	40	80
Q	63	125
R	100	200
S	160	320
T	250	500

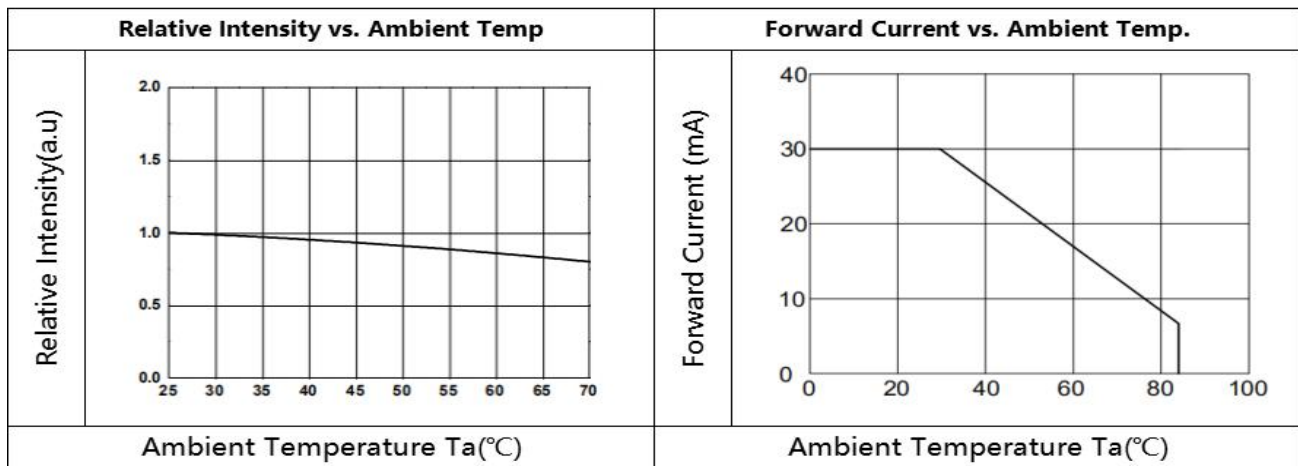
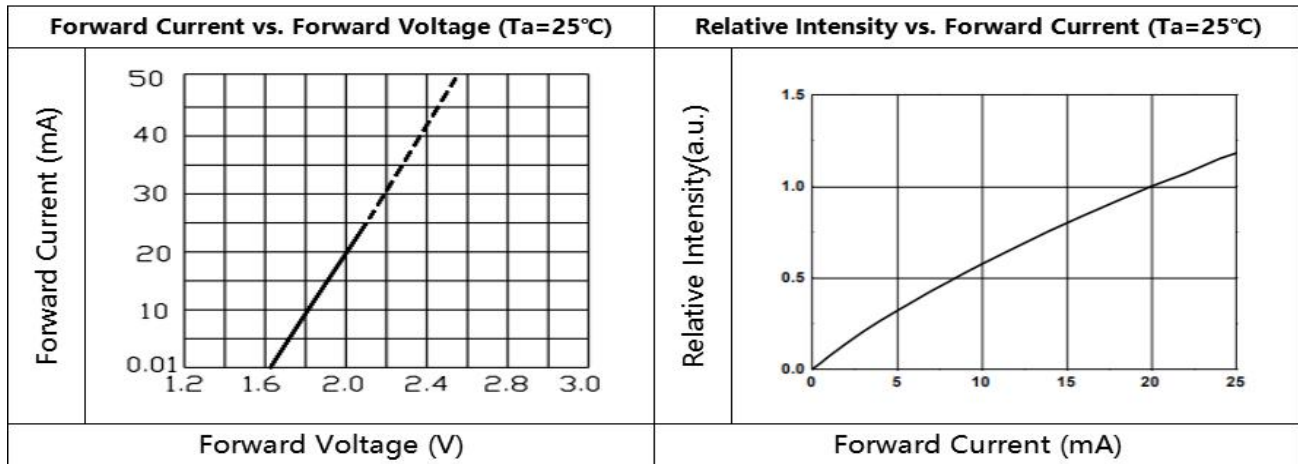
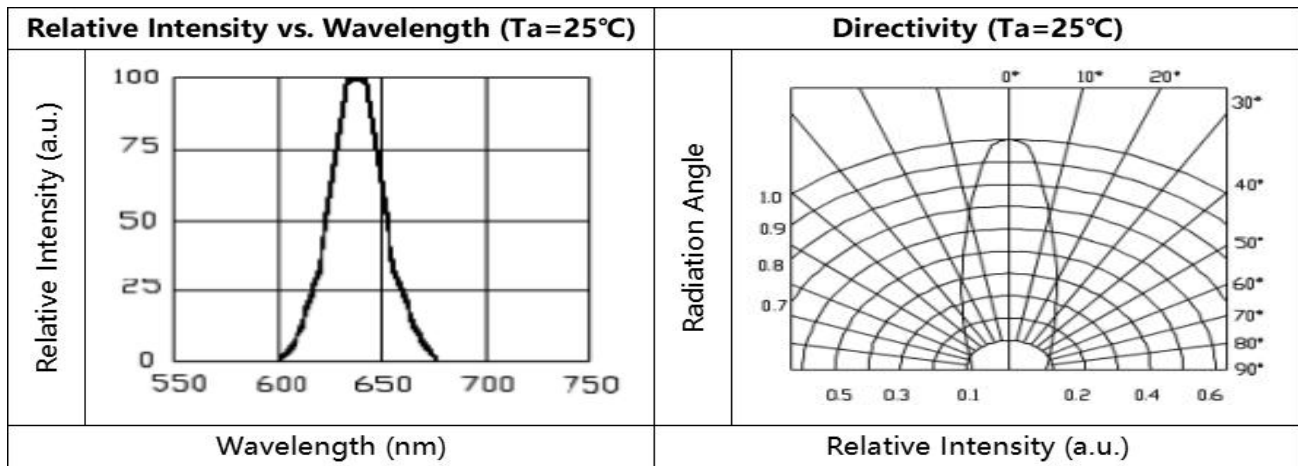
λd (nm)		
Grade	Min.	Max.
01	618	621
1	620	623
2	622	625
3	624	627
4	626	629
5	628	631

Notes:

- 1.Luminous intensity: +/-15%.
- 2.Wavelength: +/-1nm.

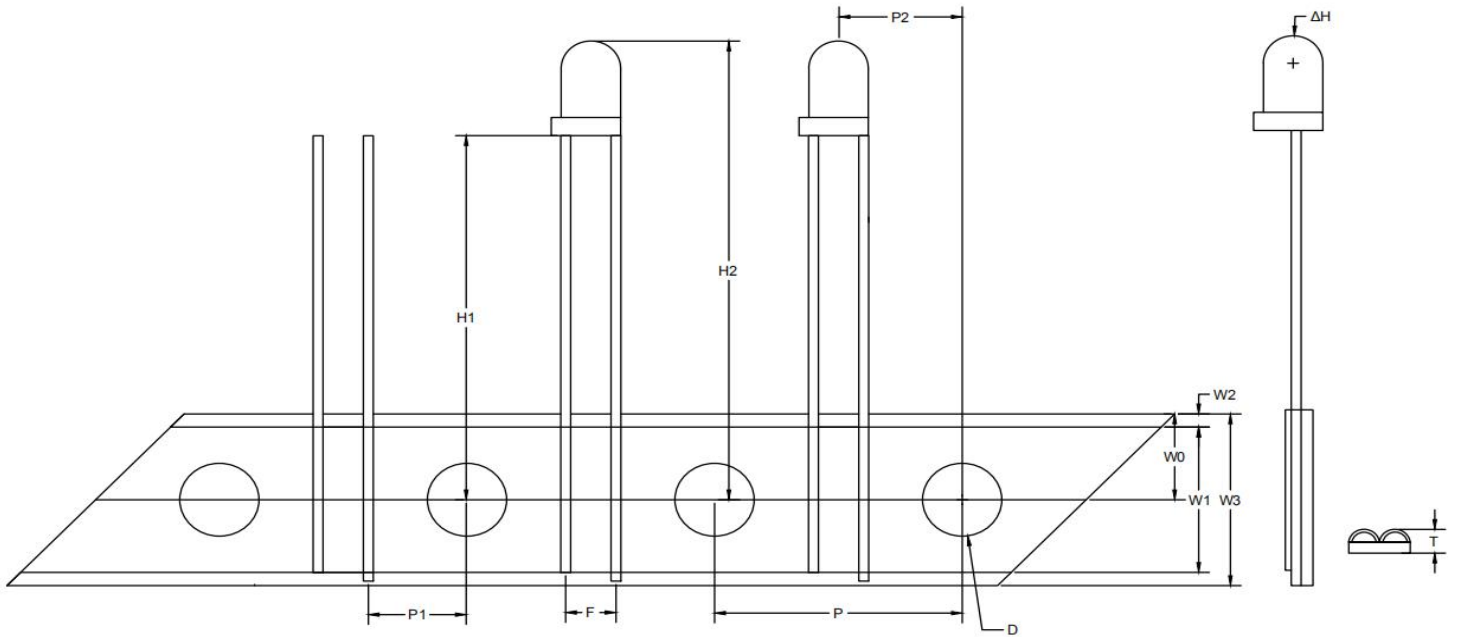
Official Product	HV-62R3303D-TR1	Customer Part No.	Data Sheet No.
	*****	*****	CDAE-010-678
Specifications are subject to change without notice. Data and drawings herein are copyrighted.		Oct. 31 2019	Version of 1.0
			Page 7/12

Typical Electro-Optical Characteristics Curves



Official Product	HV-62R3303D-TR1 *****	Customer Part No.	Data Sheet No. CDAE-010-678
Specifications are subject to change without notice. Data and drawings herein are copyrighted.		Oct. 31 2019	Version of 1.0
			Page 8/12

Carrier Tape Dimensions:



Notes:

Lead spacing is measured where the lead emerge from the package

Official Product	HV-62R3303D-TR1	Customer Part No.	Data Sheet No.
	*****	*****	CDAE-010-678
Specifications are subject to change without notice. Data and drawings herein are copyrighted.	Oct. 31 2019	Version of 1.0	Page 9/12

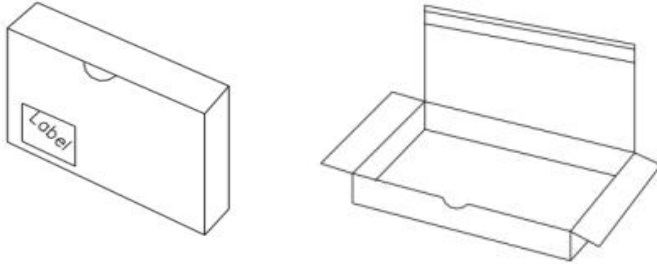
Taping Sizes

Symbol Items	Symbol	Specifications		
		Avg.		Tolerance
		mm	Inch	(mm)
Tape Feed Hole Diameter	D	4.0	0.157	±0.2
Component Lead Pitch	F	2.54	0.100	+0.8/-0.2
Front-to-Read Deflectio	Δ H	2°	0.078	±5°
Feed Hole to Button of Component	H1	18.5	0.730	±1.0
Feed Hole to Overall Component Height	H2	27.5	1.262	±1.0
Feed Hole Pitch	P	12.5	0.500	±0.3
Lead Location	P1	4.5	0.200	±0.7
Center of Component Location	P2	5.0	0.250	±1.2
Overall Taped Package Thickness	T	1.42	0.056	MAX
Feed Hole Location	W0	8.5	0.354	±0.5
Adhesive Tape Width	W1	13.5	0.512	±0.5
Adhesive Tape Position	W2	2.0	0.079	MAX
Tape Width	W3	18.0	0.709	±0.75

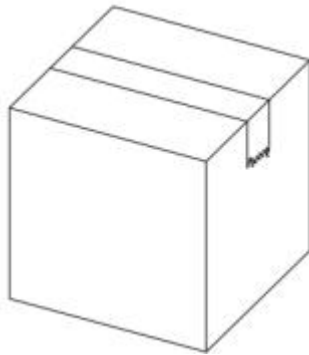
Note: Tolerances unless mentioned ±0.1mm. Unit = mm

Official Product	HV-62R3303D-TR1	Customer Part No.	Data Sheet No.
	*****	*****	CDAE-010-678
Specifications are subject to change without notice. Data and drawings herein are copyrighted.	Oct. 31 2019	Version of 1.0	Page 10/12

Packing Specification:



2500PCS/In-Carton



25000PCS/Out-Carton



Official Product	HV-62R3303D-TR1	Customer Part No.	Data Sheet No.
	*****	*****	CDAE-010-678
Specifications are subject to change without notice. Data and drawings herein are copyrighted.		Oct. 31 2019	Version of 1.0
			Page 11/12

Revision History

Revision	Page	Version No.	Revision Date
Initial Release		1.0	10-31-2019

Official Product	HV-62R3303D-TR1	Customer Part No.	Data Sheet No.
	*****	*****	CDAE-010-678
Specifications are subject to change without notice. Data and drawings herein are copyrighted.		Oct. 31 2019	Version of 1.0
			Page 12/12