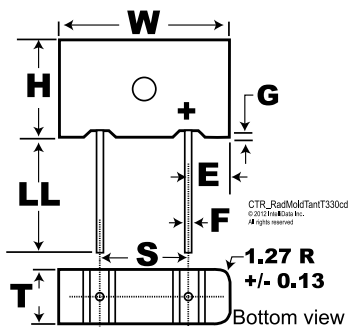


KEMET Part Number: T330C336J015AS
(T330C336J015AH)

Tantalum, MnO2 Tantalum, Commercial Grade, KEMET, T330, 33 uF, 5%, 15 V, 1.6 Ohms, Lead Spacing = 5.08mm



General Information	
Dielectric:	MnO2 Tantalum
Style:	Radial Molded
Supplier:	KEMET
Series:	T330
Description:	Radial, Solid Tantalum, Molded
Features:	Low Leakage
RoHS:	No
Termination:	Lead (SnPb)
Construction:	Molded
Notes:	Longest Lead Is Positive

Dimensions	
W	8.26mm +/-0.38mm
H	8.26mm +/-0.38mm
T	4.32mm +/-0.38mm
S	5.08mm +/-0.127mm
LL	12.7mm +/-3.18mm
F	0.64mm +/-0.03mm
E	1.57mm +/-0.25mm
G	0.38mm +/-0.13mm

Specifications	
Capacitance:	33 uF
Capacitance Tolerance:	5%
Voltage DC:	15 VDC (85C), 13 VDC (125C Surge), 0.15 V (125C Reverse)
Temperature Range:	-55/+125C
Dissipation Factor:	6%
Resistance:	1.6 Ohms (100kHz)
Leakage:	5 uAmps

Packaging Specifications	
Packaging:	Bulk, Bag
Packaging Quantity:	200