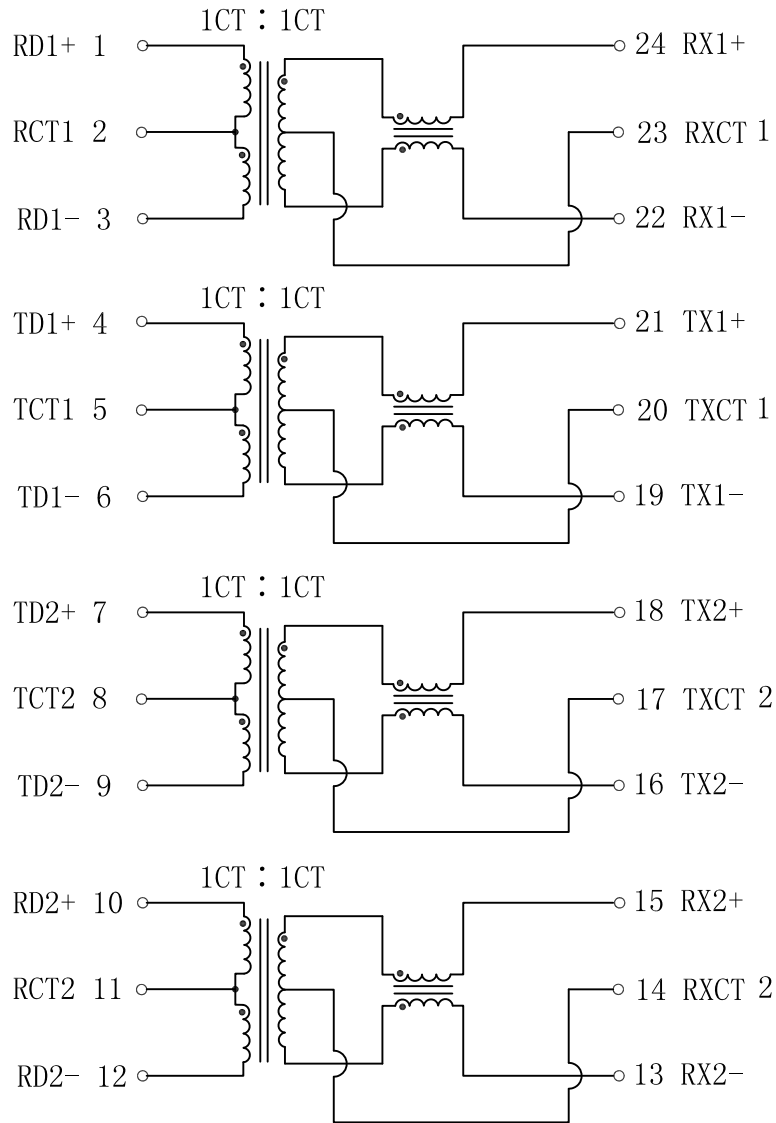


# Schematic:

REV.	ECN NO.	DESCRIPTION	DATE	APPD
A	REL		2011/02/24	

CHIP SIDE



MEDIA SIDE

## Electrical Specifications @25°C

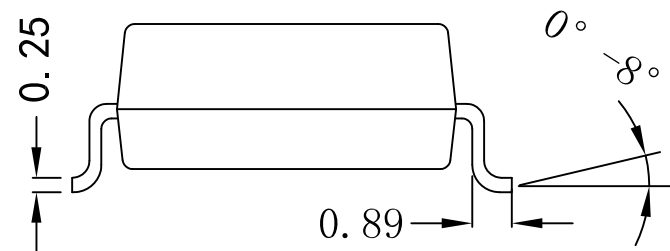
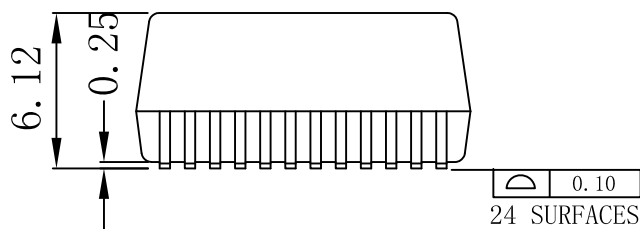
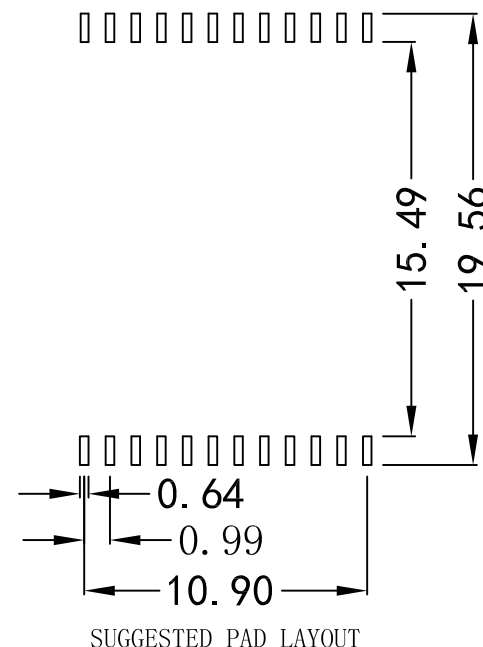
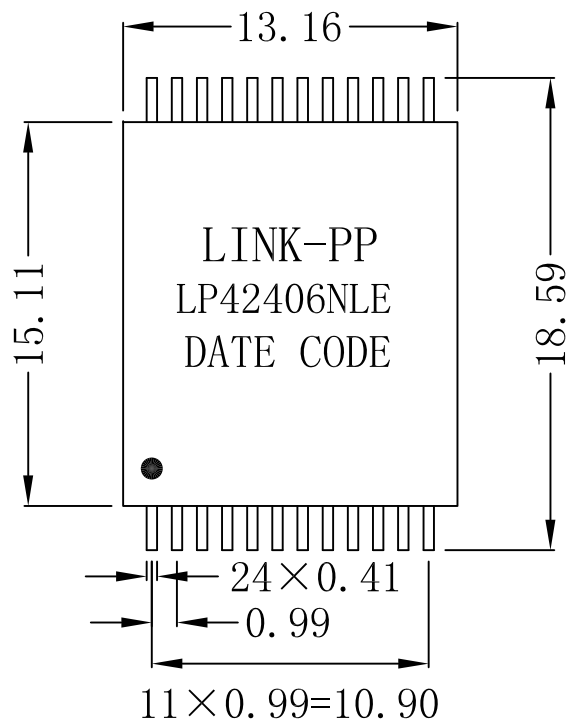
- ISOLATION: 1500 Vrms
- INSERTION LOSS:  
-1.1dB MAX @1MHz-100MHz
- RETURN LOSS:  
-16dB Min @1-30MHz  
-14dB Min @40MHz  
-13dB Min @50MHz  
-12dB Typ @60-80MHz
- Differential to Common Mode Rejection:  
-43dB Min @30MHz  
-37dB Min @60MHz  
-33dB Min @100MHz
- Crosstalk:  
-43dB Min @30MHz  
-37dB Min @60MHz  
-33dB Min @100MHz
- Operating Temperature: 0°C ~ 70°C



X:X	±0.30	APPD:	LINK-PP INT'L TECHNOLOGY CO., LIMITED	
X:XX	±0.25	CHKD:	Title: 10/100 Base-TX VoIP Magnetic Modules	
X:XXX	±0.05	DR: TOM	PART NO.: LP42406NLE	
ANGLES	±1°	UNIT: mm	REV: A	
	SCALE: 2/1	SHEET: 1/2	DWG NO.:	LP11022401

**Mechanical:**

REV.	ECN NO.	DESCRIPTION	DATE	APPD
A	REL		2011/02/24	



**NOTES:**

1. Designed to support application, such as SOHO (ADSL modems), LAN-on-Motherboard (LOM), hub and Switches.
2. With various Turns Ratios.
3. 350uH min OCL with 8mA bias current.
4. RoHS "NLE" peak solder rating 245°C.

X:X	±0.30	APPD:	LINK-PP INT'L TECHNOLOGY CO., LIMITED	
X:XX	±0.25	CHKD:	TITLE: 10/100 Base-TX VoIP Magnetic Modules	
X:XXX	±0.05	DR: TOM	PART NO.: LP42406NLE	
ANGLES	±1°	UNIT: mm	DWG NO.: LP11022401	
SCALE: 1/1		SHEET: 2/2		REV: A