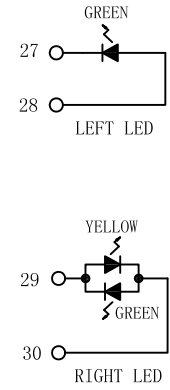
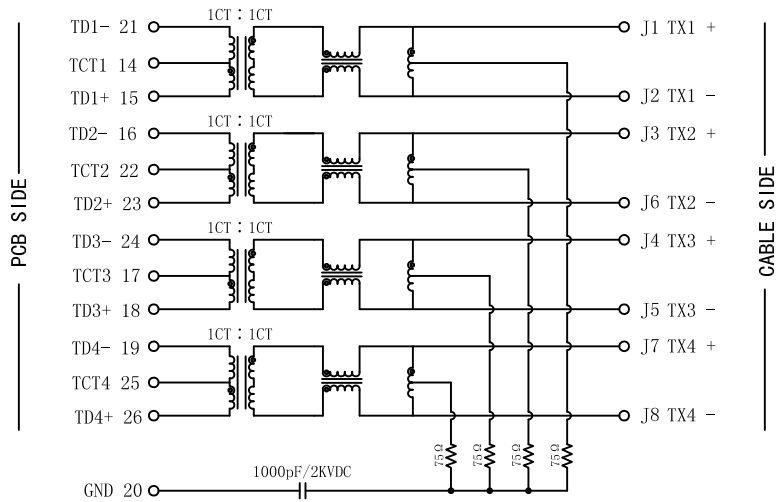


Schematic:

REV.	ECN NO.	DESCRIPTION	DATE	APPD
A	REL		2012/02/18	

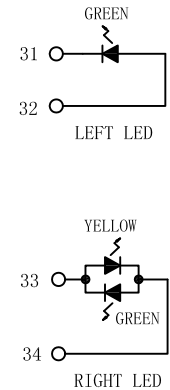
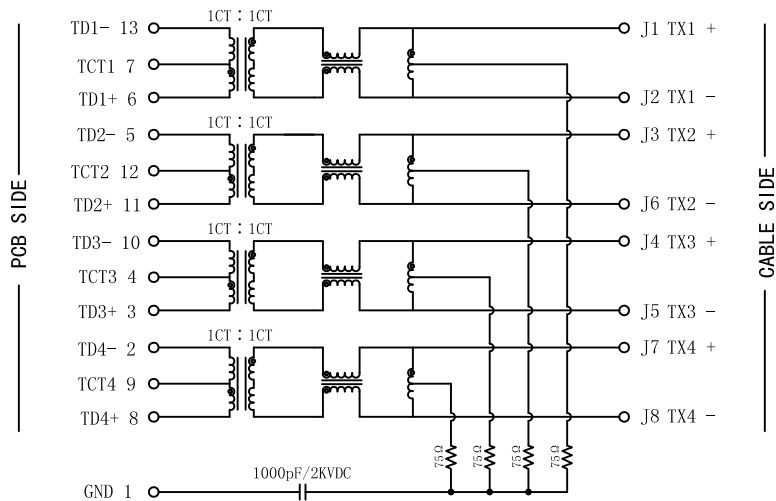
SCHEMATIC FOR LOWER PORT:



Electrical Specifications @25°C

1. OCL (@100KHz, 100mV, 8mA DC Bias):
350uH min
2. Turns Ratio: 1CT : 1CT ±2%
3. Insertion Loss:
0.1~100MHz: -1.1dB Max
4. Return Loss (dB Min):
1~30MHz: -18
30~60MHz: -16
60~80MHz: -14
80~100MHz: -12
5. Crosstalk (dB Typ):
1~60MHz: -35
60~100MHz: -25
6. Common To Common Mode Rejection:
0.1~100MHz: -25dB Typ
7. Hipot: 1500Vrms
8. Operating Temperature: 0°C ~ 70°C.

SCHEMATIC FOR UPPER PORT:

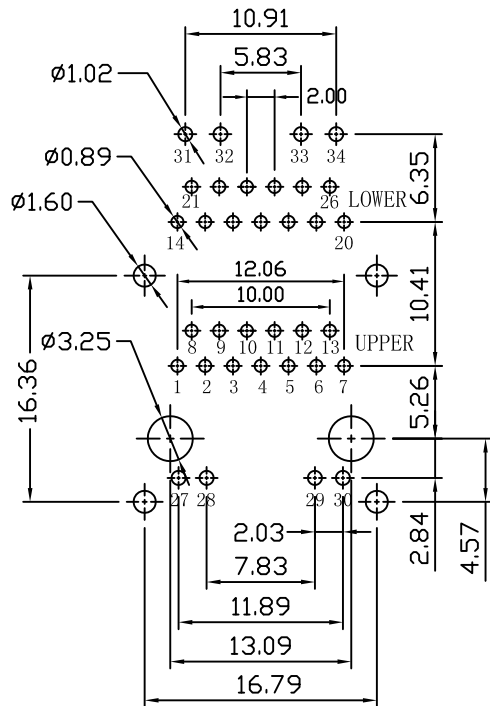
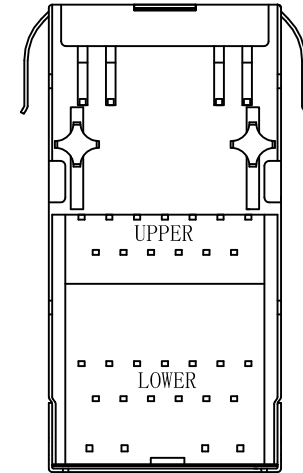
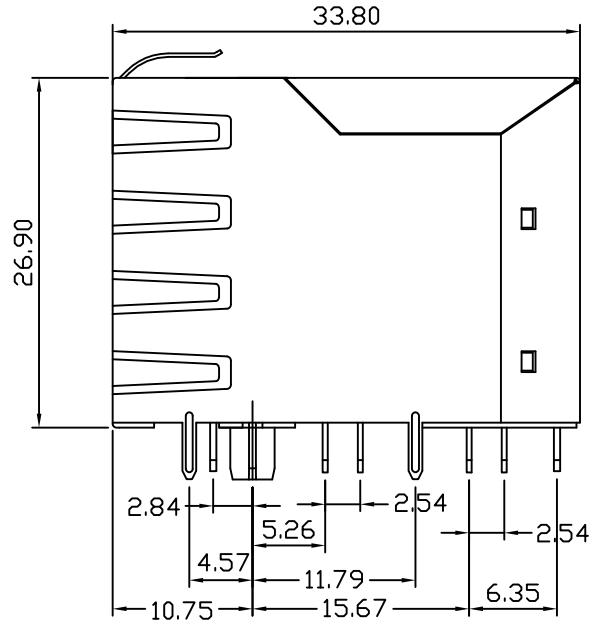
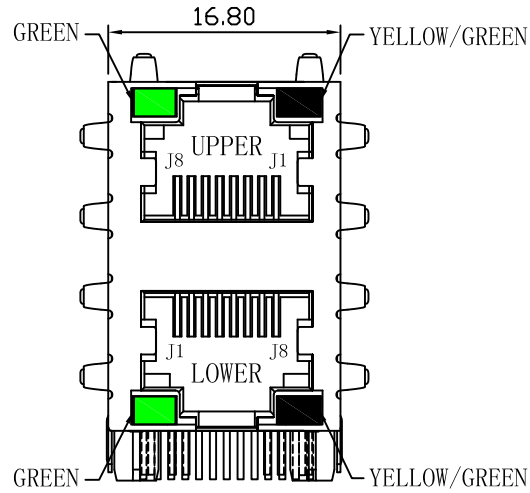


Emitting Color	λp(nm)	VF@IF=20mA	IR@VR=5V
Green	570	1.8~2.6V	10 μA max
Yellow	585	1.8~2.6V	10 μA max

X:X ±0.30	APPD:	LINK-PP INT'L TECHNOLOGY CO., LIMITED		
X:XX ±0.25	CHKD:	TITLE: RJ45 Connector With 1000 Base-T Integrated Magnetics		
X:XXX ±0.05	DR: TOM	PART NO.: LPJG17102A96NL		
ANGLES ±1°	UNIT: mm			
	SCALE: 2/1	SHEET: 1/2	REV: A	DWG NO.: LP12021801

Mechanical:

REV.	ECN NO.	DESCRIPTION	DATE	APPD
A	REL		2012/02/18	



PIN-OUT INFORMATION
(COMPONENT SIDE VIEW)



NOTES:

1. Designed to support application, such as SOHO (ADSL modems), LAN-on-Motherboard (LOM), hub and Switches.
2. Meets IEEE 802.3 specification
3. Connector Materials:
 Housing: Thermoplastic UL94V-0
 Contact/Shield: Copper alloy
 Shield plating: Nickel
 Contact plating: Gold 6 micro-inches min. In contact area.
4. Wave solder tip temperature: 265°C Max, 5 Sec Max.

X:X	± 0.30	APPD:	LINK-PP INT'L TECHNOLOGY CO., LIMITED	
X:XX	± 0.25	CHKD:	TITLE: RJ45 Connector With 1000 Base-T Integrated Magnetics	
X:XXX	± 0.05	DR: TOM		
ANGLES	$\pm 1^\circ$	UNIT: mm	PART NO.: LPJG17102A96NL	
	SCALE: 2/1	SHEET: 2/2	REV: A	DWG NO.: LP12021801