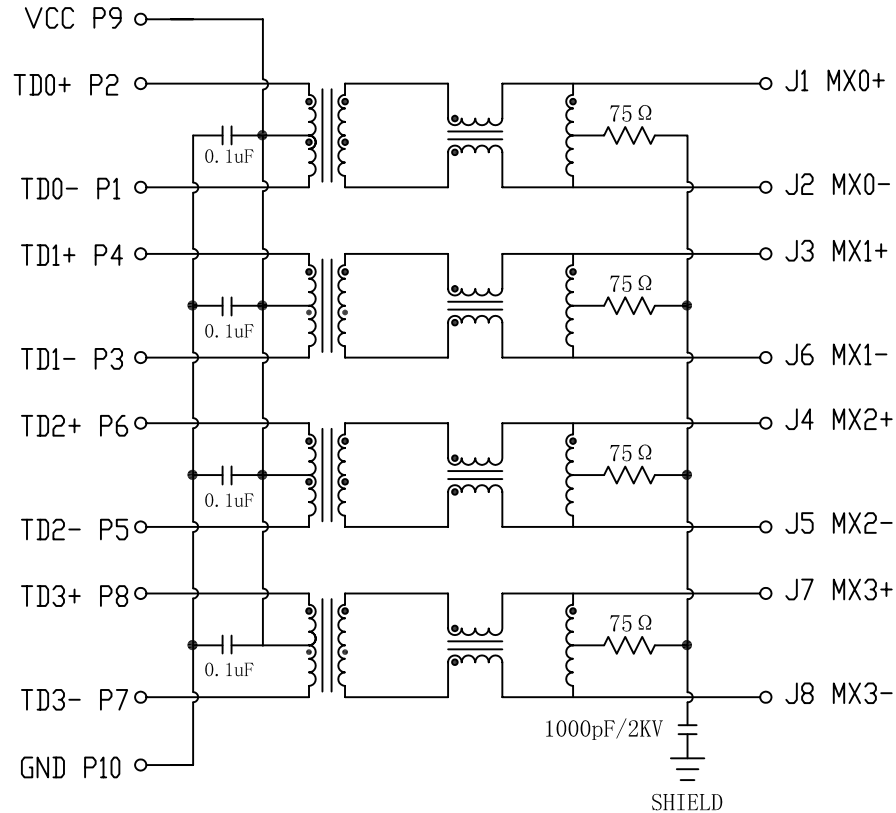


# Schematic:

REV.	ECN NO.	DESCRIPTION	DATE	APPD
A	REL		2012/06/14	

PCB CONNECTIONS



RJ45 CONNECTOR

## Electrical Specifications @25°C

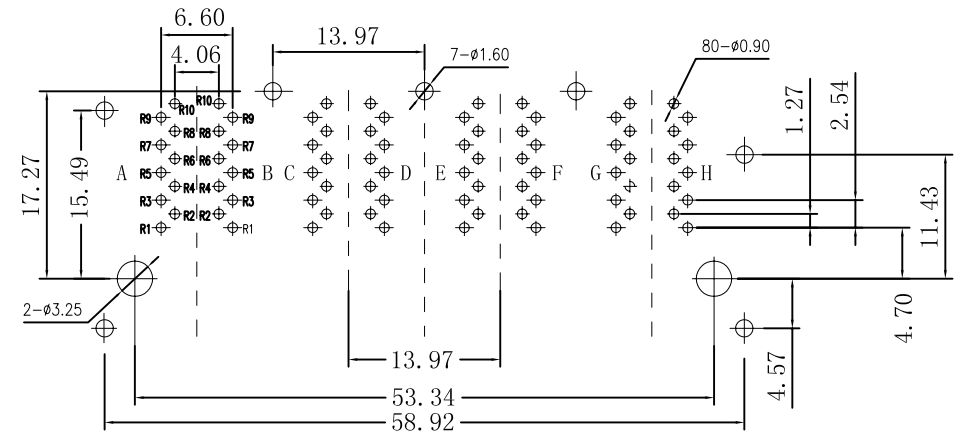
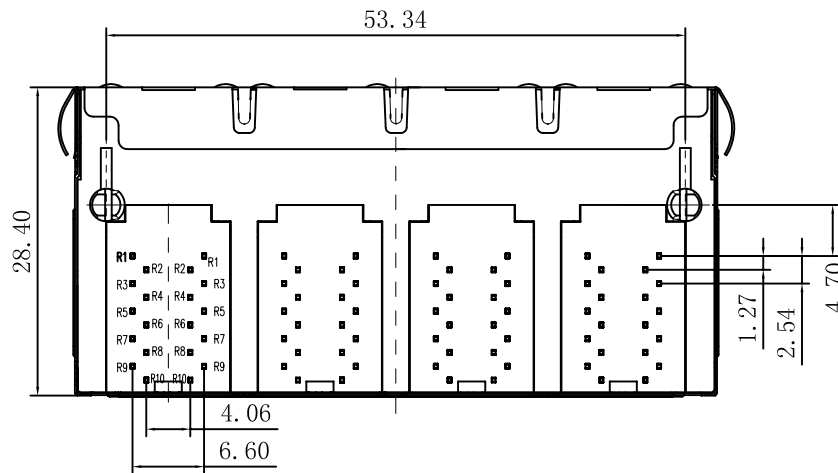
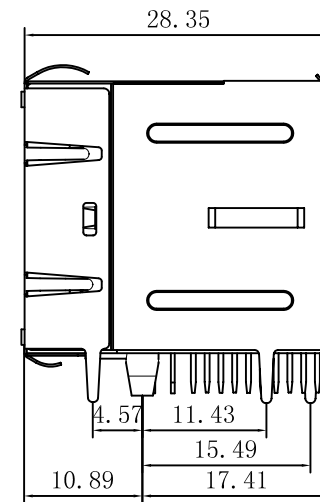
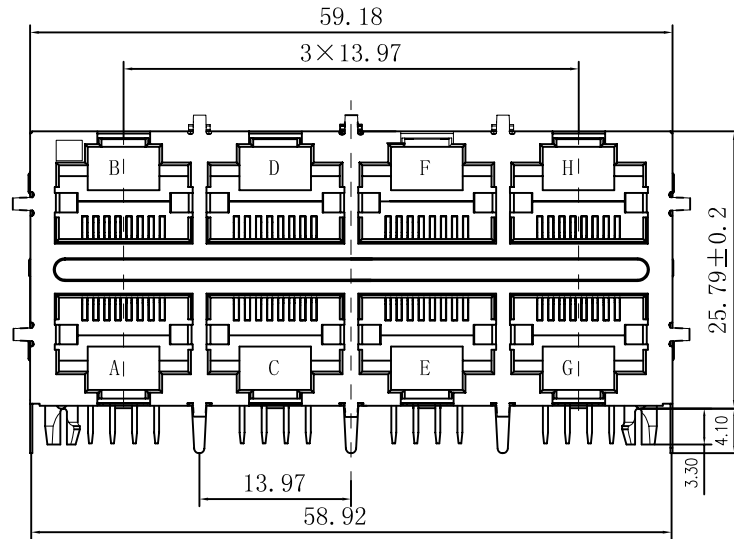
- Turns Ratio: 1CT : 1CT
- OCL:  
350uH MIN @ 100KHz, 100mV, 8mADC
- Insertion Loss:  
1~100MHz: -1.0dB MAX
- Return Loss (dB MIN . load 100Ω ):  
1~30MHz: -18      30~60MHz: -16  
60~80MHz: -12      80~100MHz: -10
- Crosstalk:  
1~100MHz: -30dB MIN
- Common Mode Rejection:  
1~100MHz: -30dB MIN
- CMRR: 1~100MHz: -30dB MIN
- Isolation: 1500Vrms MIN
- Operating Temperature: 0°C ~ 70°C.



X:X	±0.20	APPD:	LINK-PP INT'L TECHNOLOGY CO., LIMITED	
X:XX	±0.10	CHKD:	Title: RJ45 . Transformer. 1000 Base-T . 2x4	
X:XXX	±0.05	DR: TOM		
ANGLES	±1°	UNIT: mm	PART NO.: LPJG47531CNL	
	SCALE: 2/1	SHEET: 1/2	REV: A	DWG NO.: LP12061404

# Mechanical :

REV.	ECN NO.	DESCRIPTION	DATE	APPD
A	REL		2012/06/14	



SUGGESTED PCB LAYOUT (TOP VIEW)

## NOTES:

1. Designed to support application, such as SOHO (ADSL modems), LAN-on-Motherboard (LOM), hub and Switches.
2. Meets IEEE 802.3 specification
3. Connector Materials:  
Housing: Thermoplastic UL94V-0  
Contact/Shield: Copper alloy  
Shield plating: Nickel  
Contact plating: Gold 6 micro-inches min. In contact area.
4. Wave solder tip temperature: 265°C Max  
Wave solder tip temperature time: 5 Sec Max



X:X	±0.20	APPD:	LINK-PP INT'L TECHNOLOGY CO., LIMITED
X:XX	±0.10	CHKD:	
X:XXX	±0.05	DR: TOM	Title: RJ45 .Transformer.1000 Base-T . 2x4
ANGLES	±1°	UNIT: mm	PART NO. : LPJG47531CNL
	SCALE: 2/1	SHEET: 2/2	REV: A DWG NO. : LP12061404