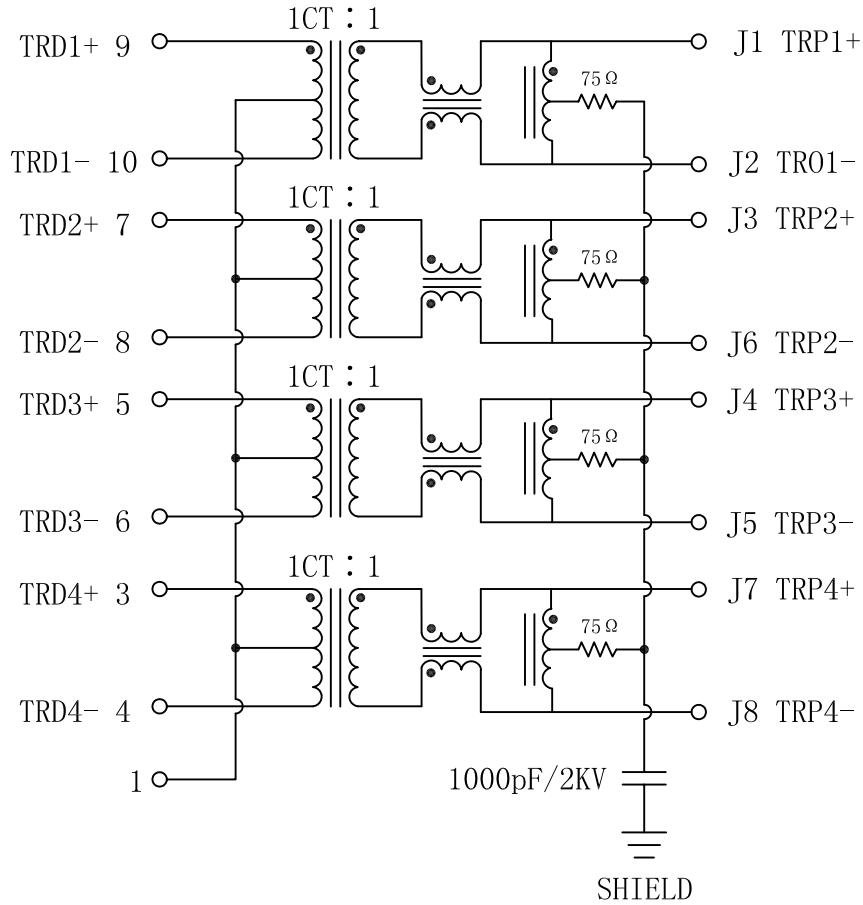


Schematic:

REV.	ECN NO.	DESCRIPTION	DATE	APPD
A	REL		2011/04/21	

PC BOARD CONNECTIONS



RJ45 CONNECTOR

Electrical Specification @25°C

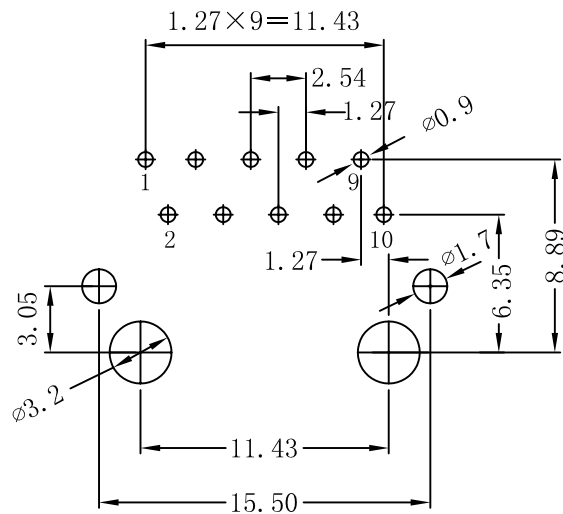
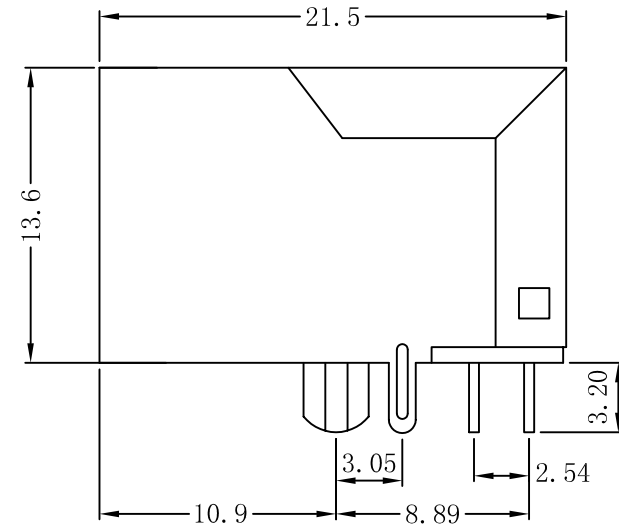
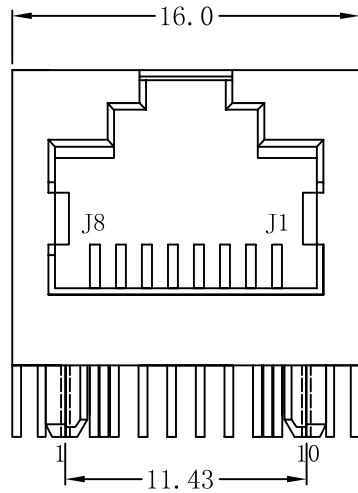
- Turns Ratio ($\pm 2\%$) :
TX=1CT:1 RX=1CT:1
- Insertion Loss:
1-100 MHz:-1.0dB Max
100-125 MHz:-1.2dB Max
- Return Loss(dB Min. LOAD 100 OHM):
1-30MHz:-16 30-40MHz:-13.5
40-50MHz:-11.5 50-80MHz:-10
- Crosstalk:
1-100MHz:-30dB Min
- CMRR:
1-100MHz:-30dB Min
- Inductance(@100KHz, 0.1V, 8mA):
(3-4), (5-6), (7-8), (9-10): 350uH Min.
- Hipot: 1500Vrms
- Operating Temperature: 0~70°C.



X:X	± 0.20	APPD:	LINK-PP INT'L TECHNOLOGY CO., LIMITED	
X:XX	± 0.10	CHKD:		
X:XXX	± 0.05	DR: TOM		
ANGLES	$\pm 1^\circ$	UNIT: mm	PART NO. :	LPJG16528DNL
	SCALE: 2/1	SHEET: 1/2	REV: A	DWG NO. : LP11042102

Mechanical :

REV.	ECN NO.	DESCRIPTION	DATE	APPD
A	REL		2011/04/21	



SUGGESTED PCB LAYOUT (TOP VIEW)



NOTES:

1. Designed to support application, such as SOHO (ADSL modems), LAN-on-Motherboard (LOM), hub and Switches.
2. Meets IEEE 802.3 specification
3. Connector Materials:
 Housing: Thermoplastic UL94V-0
 Contact/Shield: Copper alloy
 Shield plating: Nickel
 Contact plating: Gold 6 micro-inches min. In contact area.
4. Wave solder tip temperature: 265°C Max
 Wave solder tip temperature time: 5 Sec Max

X:X	±0.20	APPD:	LINK-PP INT'L TECHNOLOGY CO., LIMITED
X:XX	±0.10	CHKD:	
X:XXX	±0.05	DR: TOM	Title: RJ45 Connector With 1000 Base-TX Integrated Magnetic
ANGLES	±1°	UNIT: mm	PART NO.: LPJG16528DNL
	SCALE: 2/1	SHEET: 2/2	REV: A DWG NO.: LP11042102