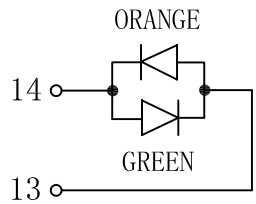
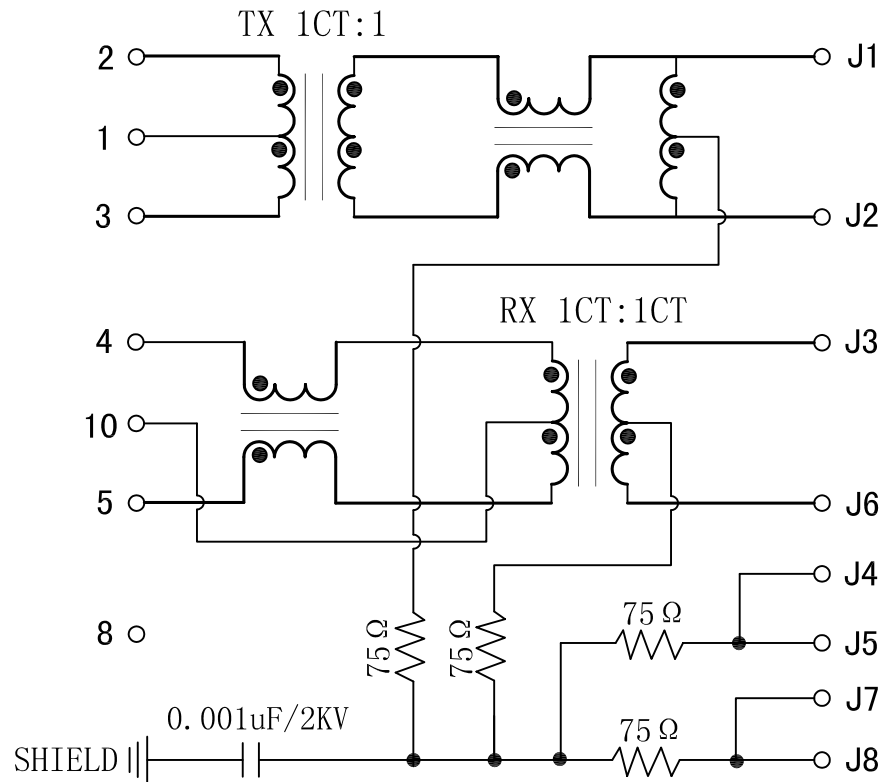
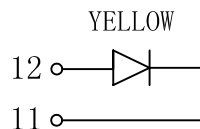


Schematic:

REV.	ECN NO.	DESCRIPTION	DATE	APPD
A	REL		2009/08/21	



LEFT LED



REGHT LED



Electrical Specifications:

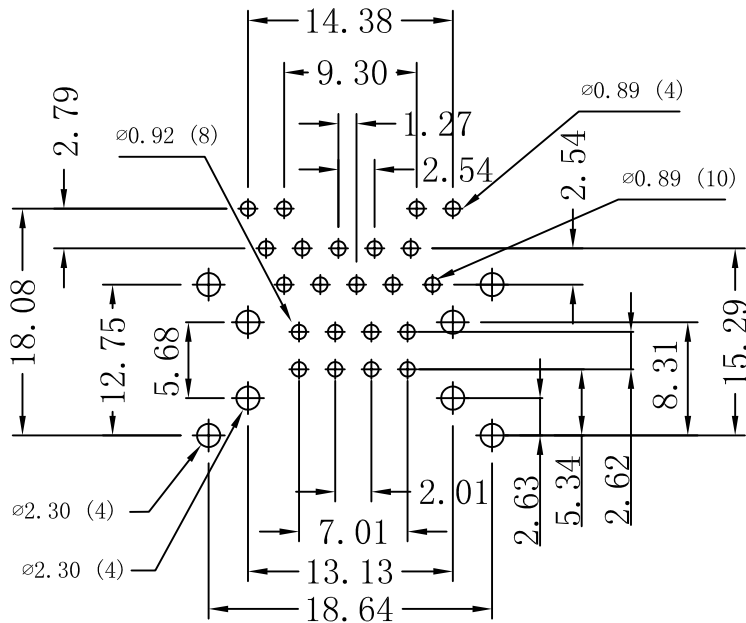
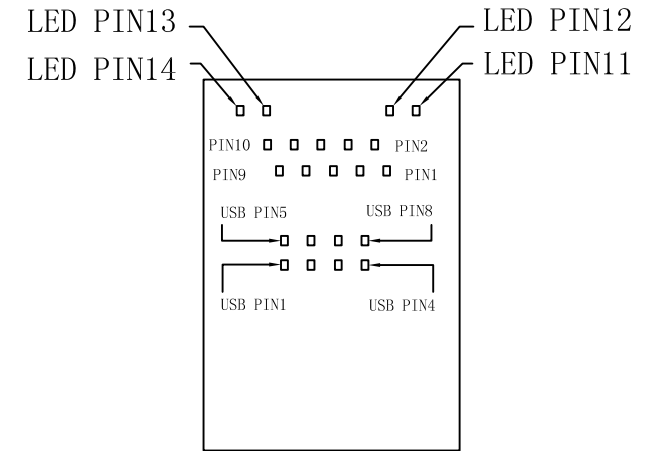
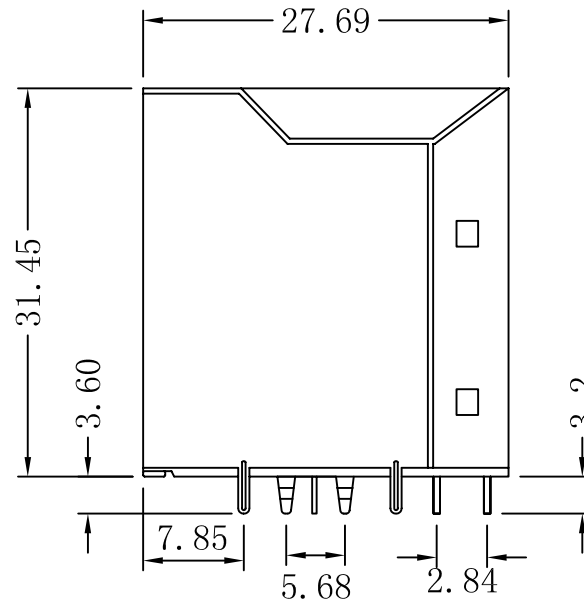
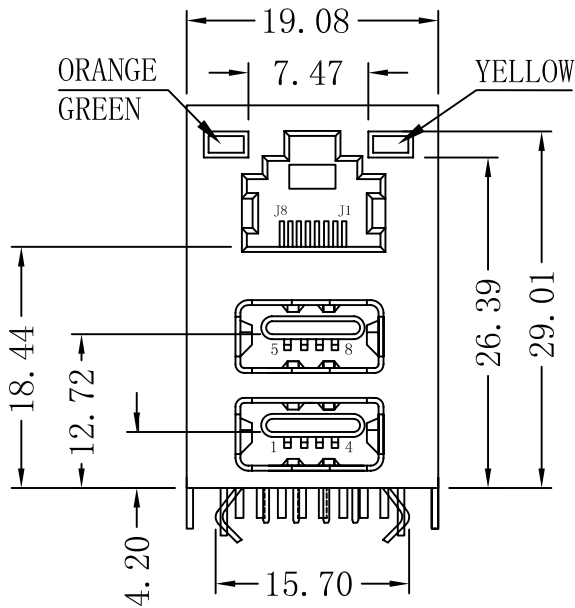
TEST NOTES (25±5°C)

- TR: (100KHZ, 0. 1V) ;
TX=1CT:1±2%
RX=1CT:1CT±2%
- LX: (100KHZ, 100mV, 8mA, DC Bias)
PINS: (P2, P3), (P4, P5)=350uH MIN
- HIPOT: 1500Vrms
- INSERTION LOSS:
-1.0dB MAX @ 1.0MHz TO 100MHz
- RETURN LOSS:
-18dB MIN @ 1MHz TO 30MHz
-16dB MIN @ 30MHz TO 60MHz
-12dB MIN @ 60MHz TO 80MHz
- CROSS TALK:
-40dB MIN @1MHz TO 10MHz
-35dB MIN @32MHz TO 60MHz
-30dB MIN @60MHz TO 100MHz
- COMMON TO COMMON MODE REJECTION:
-30dB MIN @1MHz TO 50MHz
-20dB MIN @50MHz TO 150MHz
- Operating Temperature: 0~70°C

X:X	±0.30	APPD:	LINK-PP INT'L TECHNOLOGY CO., LIMITED
X:XX	±0.20	CHKD:	
X:XXX	±0.10	DR: TOM	Title: RJ45 10/100 BASE-TX JACK/ Dual USB Combo
ANGLES	±1°	UNIT: mm	PART NO.: LPJU5103BONL
	SCALE: 2/1	SHEET: 2/2	REV: B DWG NO.: LP09082103

Mechanical:

REV.	ECN NO.	DESCRIPTION	DATE	APPD
A	REL		2009/08/21	



SUGGESTED PCB LAYOUT (TOP VIEW)

NOTES:

1. Designed to support application, such as SOHO (ADSL modems), LAN-on-Motherboard (LOM), hub and Switches.
2. Meets IEEE 802.3 specification
3. Connector Materials:
Housing: Thermoplastic UL94V-0
Contact/Shield: Copper alloy
Shield plating: Nickel
RJ-45 Contact plating: Gold 6 micro-inches min. In contact area
USB Contact plating: Gold Flash.
4. Wave peak temperature: 260°C, 5Sec.



X:X	±0.30	APPD:	LINK-PP INT'L TECHNOLOGY CO., LIMITED
X:XX	±0.20	CHKD:	
X:XXX	±0.10	DR: TOM	Title: RJ45 10/100 BASE-TX JACK/ Dual USB Combo
ANGLES	±1°	UNIT: mm	PART NO.: LPJU5103BONL
	SCALE: 2/1	SHEET: 1/2	REV: B
			DWG NO.: LP09082103