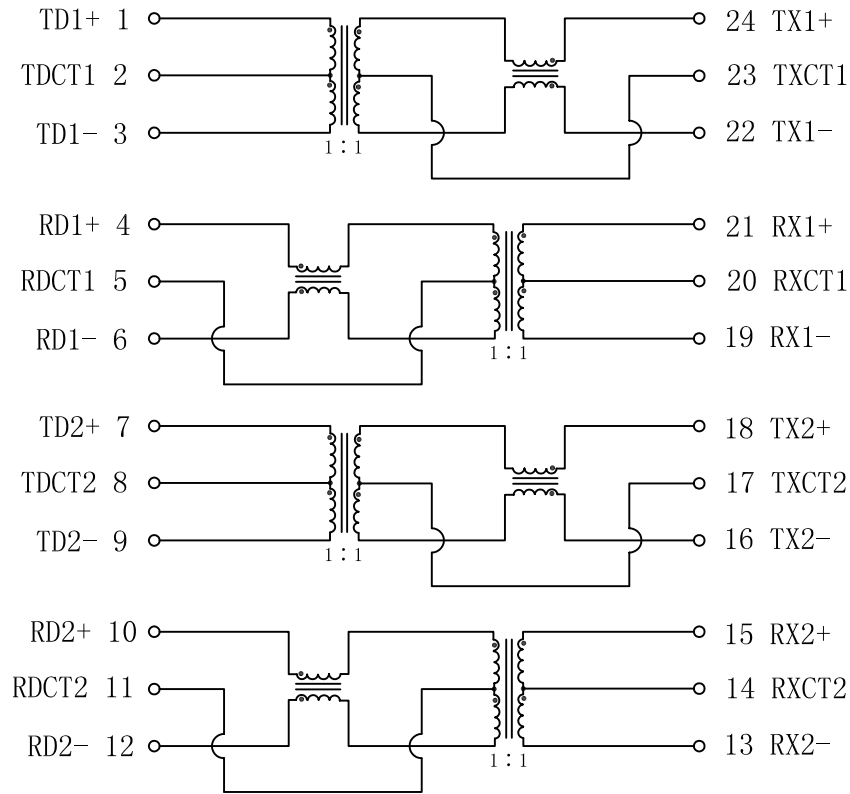


Schematic:

REV.	ECN NO.	DESCRIPTION	DATE	APPD
A	REL		2011/09/13	



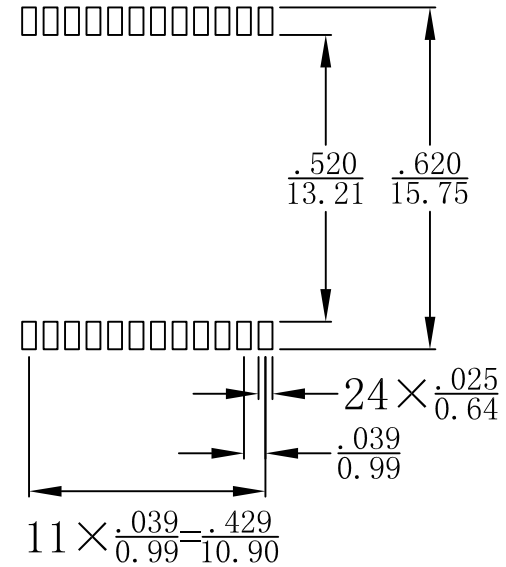
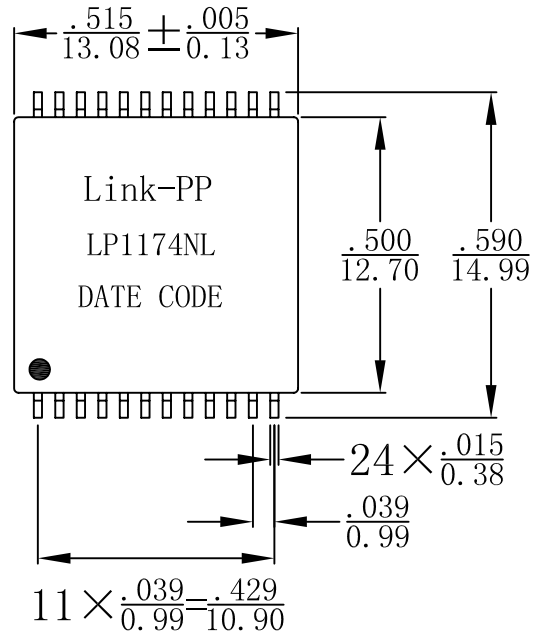
Electrical Specifications @25°C

- Insertion Loss:
 - 0.1-100MHz: -1.2dB MAX
- Return Loss:
 - 2-30MHz: -18dB MIN 40MHz: -16dB MIN
 - 50MHz: -14dB MIN 60-80MHz: -12dB MIN
- Crosstalk:
 - 1MHz: -60dB TYP 30MHz: -45dB TYP
 - 60MHz: -40dB TYP 100MHz: -35dB TYP
- Differential to Common Mode Rejection:
 - 1-60MHz: -45dB MIN
 - 60-200MHz: -35dB MIN
- Isolation Voltage: 1500Vrms
- Operating Temperature: 0°C ~ 70°C

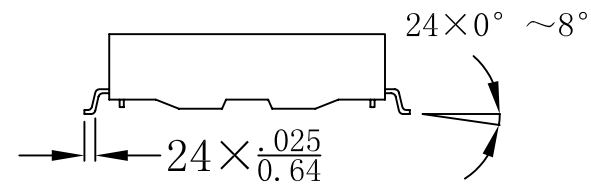
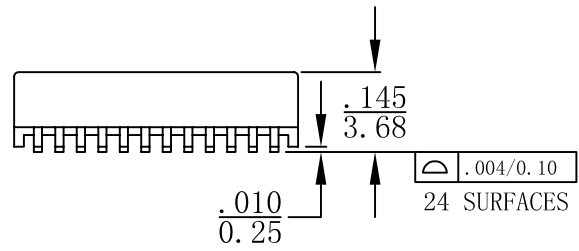
X:X	±0.20	APPD:	LINK-PP INT'L TECHNOLOGY CO., LIMITED	
X:XX	±0.10	CHKD:	Title: 10/100Base-TX Dual Port Transformer Modules	
X:XXX	±0.05	DR: TOM		
ANGLES	±1°	UNIT: Inches/mm	PART NO.: LP1174NL	
	SCALE: 2/1	SHEET: 1/2	REV: A	DWG NO.: LP11091303

Mechanical:

REV.	ECN NO.	DESCRIPTION	DATE	APPD
A	REL		2011/09/13	



SUGGESTED LAND PATTERN



NOTES:

1. Designed to support application, such as SOHO (ADSL modems), LAN-on-Motherboard (LOM), hub and Switches.
2. With various Turns Ratios.
3. 350uH min OCL
4. RoHS "NL" peak solder rating 245°C.

X:X	± 0.20	APPD:	LINK-PP INT'L TECHNOLOGY CO., LIMITED
X:XX	± 0.10	CHKD:	
X:XXX	± 0.05	DR: TOM	Title: 10/100Base-TX Dual Port Transformer Modules
ANGLES	$\pm 1^\circ$	UNIT: Inches/mm	PART NO.: LP1174NL
	SCALE: 2/1	SHEET: 2/2	REV: A DWG NO.: LP11091303