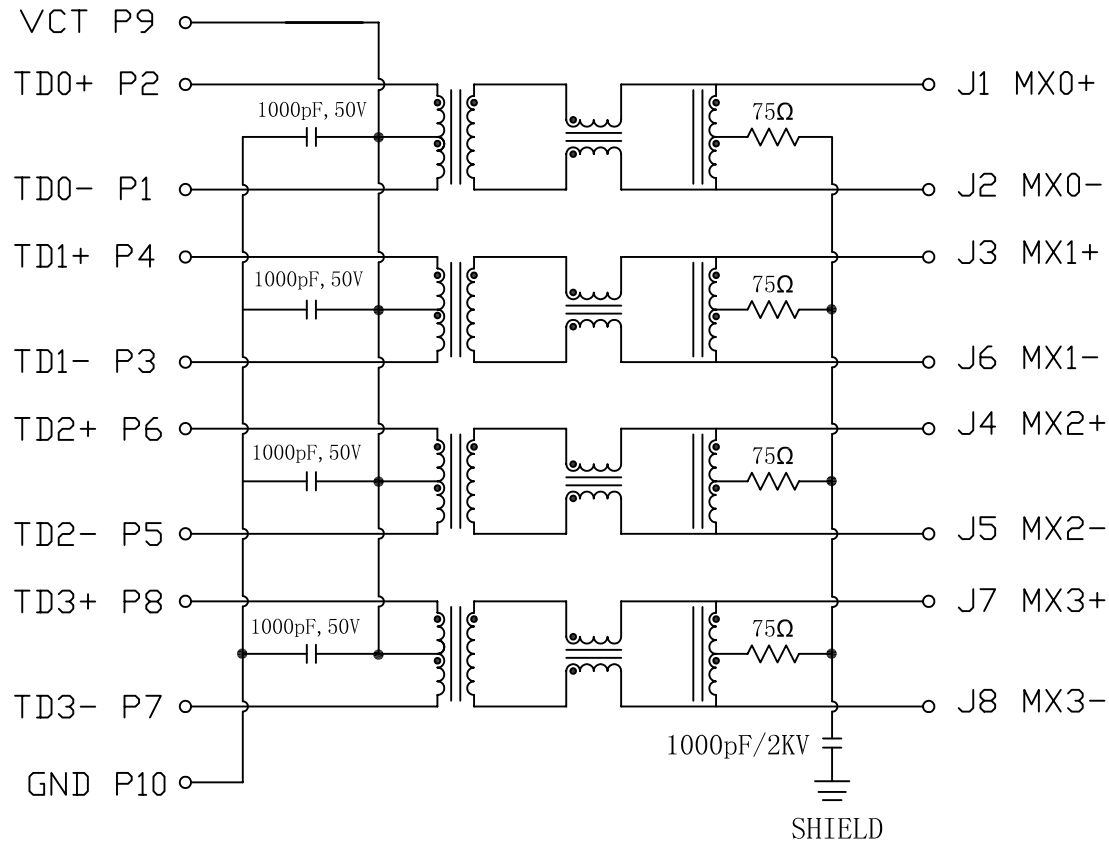


Schematic:

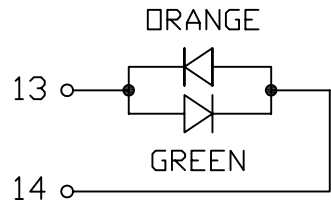
REV.	ECN NO.	DESCRIPTION	DATE	APPD
A	REL		2011/08/09	



Electrical Specifications:

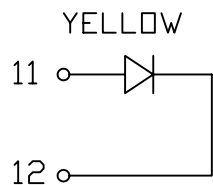
TEST NOTES (25±5°C)

- TR: (100KHz, 0.1V):
TX=1CT:1 ±2% RX=1CT:1 ±2%
- LX(100KHz, 100mV, 8mA, DC Bias):
350uH min
- INSERTION LOSS:
-1.1dB MAX @ 0.5MHz TO 100MHz
- RETURN LOSS:
-18dB MIN @ 0.5MHz TO 40MHz
-[12-20LOG(f/80)]dB MIN @ 40.1MHz TO 100MHz
- CROSS TALK:
-35dB MIN @ 0.5MHz TO 40MHz
-[33-20LOG(f/50)]dB MIN @ 40.1MHz TO 100MHz
- COMMON MODE REJECTION RATIO(CMRR):
-30dB MIN @ 0.5MHz TO 100MHz
- HI-POT: 1500Vrms
- OPERATING TEMPERATURE: 0°C TO 70°C.



LEFT LED

LED POLARITY		COLOR
PIN 13	PIN 14	
+	-	GREEN
-	+	ORANGE



RIGHT LED

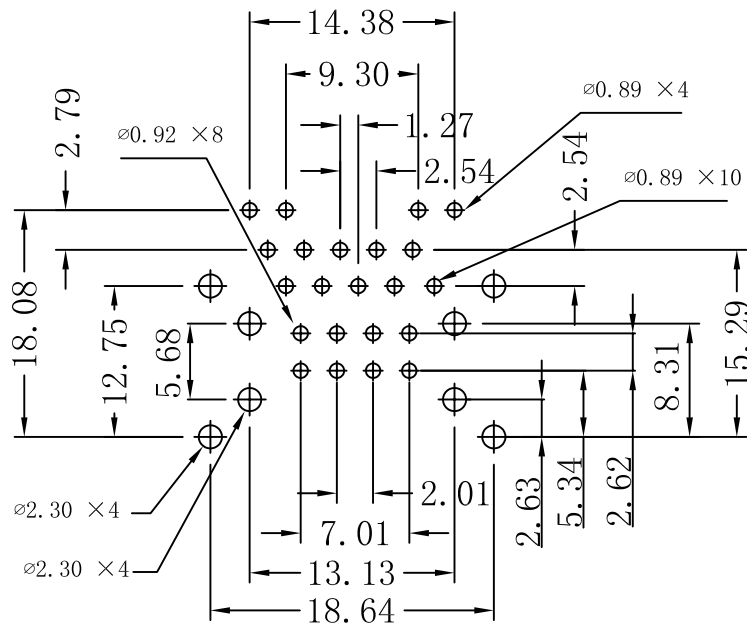
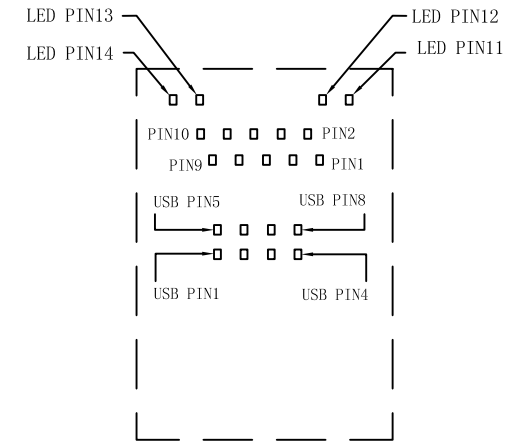
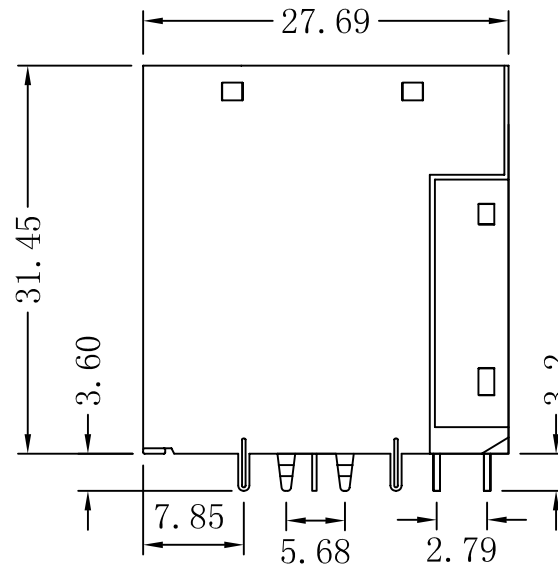
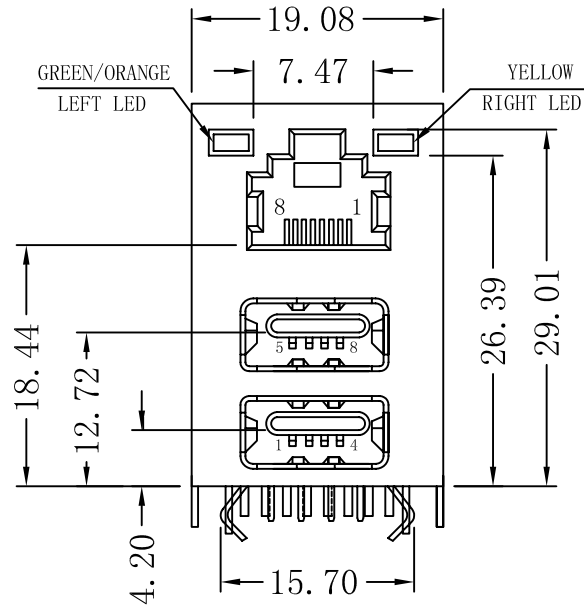
LED POLARITY		COLOR
PIN 11	PIN 12	
+	-	YELLOW



X:X	±0.30	APPD:	LINK-PP INT'L TECHNOLOGY CO., LIMITED
X:XX	±0.20	CHKD:	
X:XXX	±0.10	DR: TOM	Title: RJ45 10/100/1000BASE-TX JACK/ Dual USB Combo
ANGLES	±1°	UNIT: mm	PART NO.: LPJU5208B37NL
	SCALE: 2/1	SHEET: 1/2	REV: A DWG NO.: LP11080915

Mechanical:

REV.	ECN NO.	DESCRIPTION	DATE	APPD
A	REL		2011/08/09	



SUGGESTED PCB LAYOUT (TOP VIEW)

NOTES:

1. Designed to support application, such as SOHO (ADSL modems), LAN-on-Motherboard (LOM), hub and Switches.
2. Meets IEEE 802.3 specification
3. Connector Materials:
Housing: Thermoplastic UL94V-0
Contact/Shield: Copper alloy
Shield plating: Nickel
Contact plating: Gold 6 micro-inches min. In contact area.
USB Contact plating: Gold flash.
4. Wave solder tip temperature: 265°C Max
Wave solder tip temperature time: 5 Sec Max



X:X	±0.30	APPD:	LINK-PP INT'L TECHNOLOGY CO., LIMITED
X:XX	±0.20	CHKD:	
X:XXX	±0.10	DR: TOM	Title: RJ45 10/100/1000BASE-TX JACK/ Dual USB Combo
ANGLES	±1°	UNIT: mm	PART NO.: LPJU5208B37NL
	SCALE: 2/1	SHEET: 2/2	REV: A DWG NO.: LP11080915