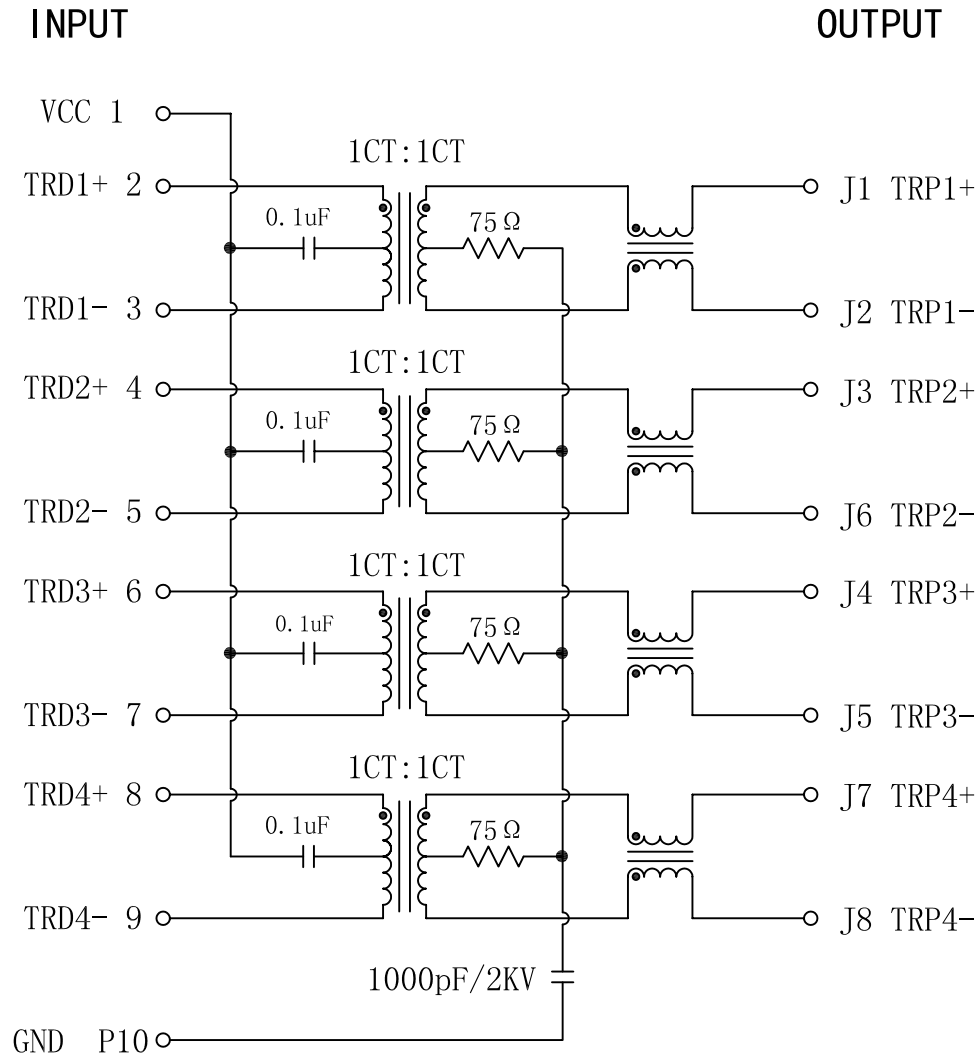


Schematic:

REV.	ECN NO.	DESCRIPTION	DATE	APPD
A	REL		2010/05/27	



ELECTRICAL SPECIFICATIONS @25°C

- Turn Ratio($\pm 2\%$):
TX=1CT:1CT RX=1CT:1CT
- Inductance OCL:
350uH Min @100KHz, 0.1V, 8mA DC Bias
- Insertion Loss:
-0.5dB Max @ 1-65MHz
-0.8dB Max @ 65-100MHz
-1.2dB Max @ 100-125MHz
- Return Loss:
-16dB Min. (Load 100 OHM) @ 1-40MHz
-12.5dB Min. (Load 100 OHM) @ 60MHz
-10dB Min. (Load 100 OHM) @ 80MHz
-8.1dB Min. (Load 100 OHM) @ 100MHz
- Cross talk:
-30dB MIN @ 1-100MHz
- CDMR:
-35dB MIN @ 1-100MHz
- Common Mode Rejection:
-30dB MIN @ 1-100MHz
- Hipot Test: 1500Vrms MIN
- Operating Temperature : 0°C TO 70°C



X:X	± 0.30	APPD:	LINK-PP INT'L TECHNOLOGY CO., LIMITED	
X:XX	± 0.20	CHKD:	TITLE: RJ45 Connector with 1000 Base-T Integrated Magnetics	
X:XXX	± 0.05	DR: TOM	PART NO.: LPJG0863DNL	
ANGLES	$\pm 1^\circ$	UNIT: mm	DWG NO.: TRC10052706	
		SCALE: 2/1	SHEET: 2/2	REV: A