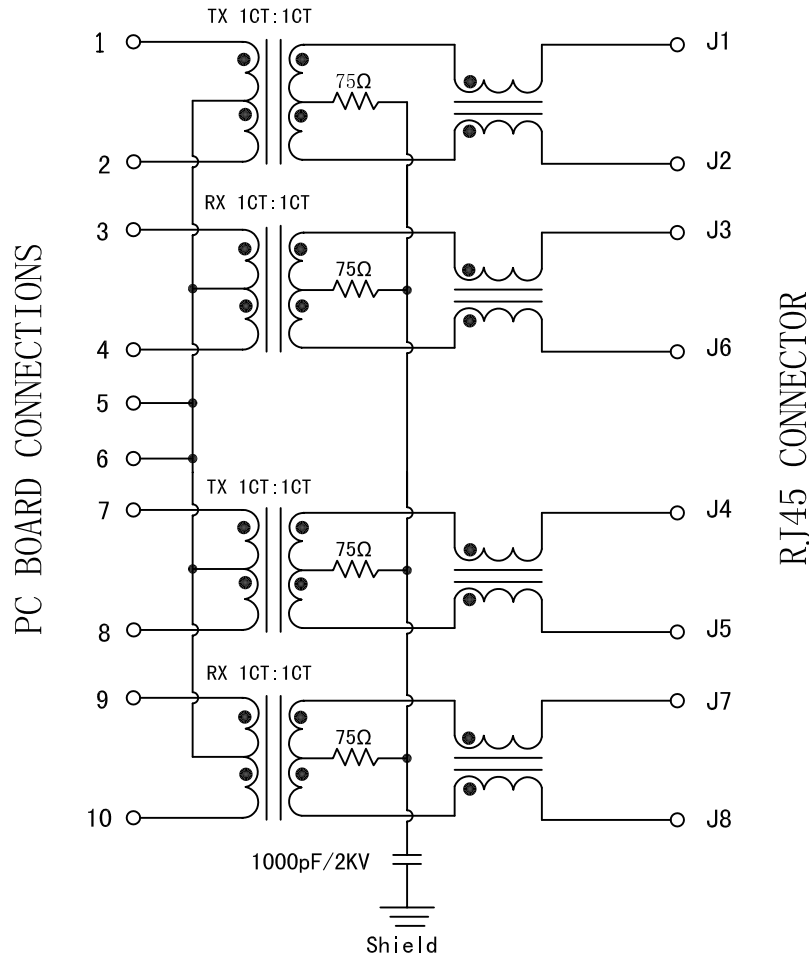


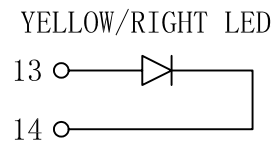
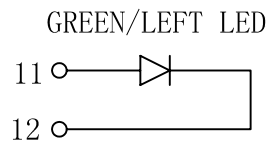
Schematic:

REV.	ECN NO.	DESCRIPTION	DATE	APPD
A	REL		20/10/2009	



Electrical Specifications @25°C

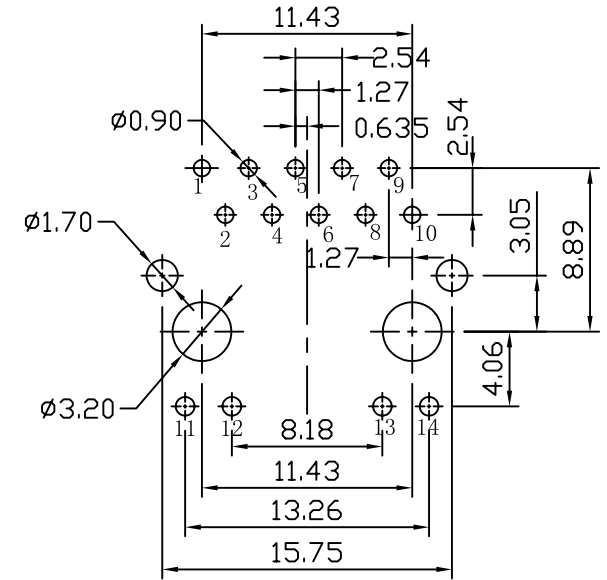
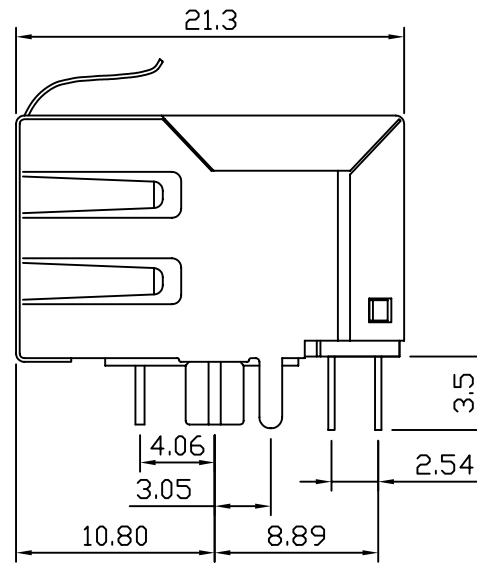
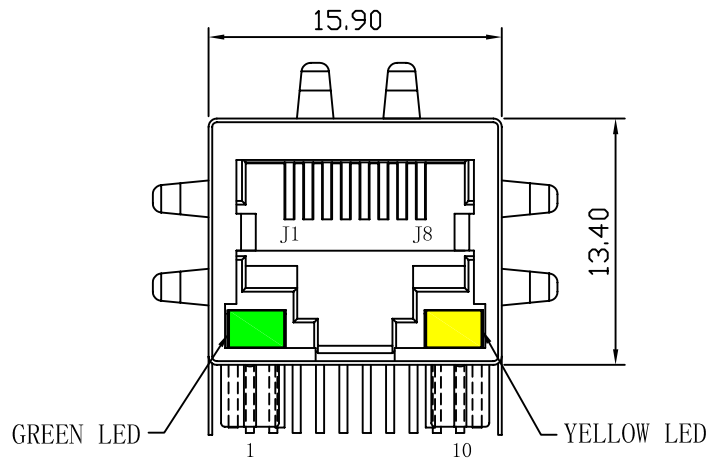
- Turns Ratio ($\pm 2\%$) :
TX=1CT:1CT RX=1CT:1CT
- OCL: 350uH Min
@100KHz/0.1V With 8mA DC Bias
- Insertion Loss:
1-100MHz:-1.0dB MAX
- Return Loss (dB MIN) :
1-30MHz:-18 30-60MHz:-16
60-80MHz:-12 80-100MHz:-10
- Crosstalk (dB MIN) :
1-30MHz:-40 30-60MHz:-35
60-100MHz:-30
- CMR (dB MIN) :
1-50MHz:-40 50-150MHz:-30
- HI-POT: 1500Vrms
- Operating Temperature: $-40^{\circ}\text{C} \sim +85^{\circ}\text{C}$.



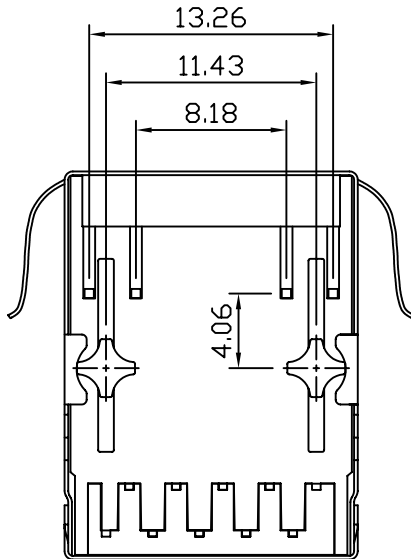
X:X ±0.30	APPD:	LINK-PP INT'L TECHNOLOGY CO., LIMITED		
X:XX ±0.20	CHKD:	TITLE: RJ45 Connector With 1000 Base-TX Integrated Magnetics		
X:XXX ±0.05	DR: TOM	PART NO. : LPJG4801GENL		
ANGLES $\pm 1^{\circ}$	UNIT: mm			
	SCALE: 2/1	SHEET: 2/2	REV: A	DWG NO. : LP09102005

Mechanical:

REV.	ECN NO.	DESCRIPTION	DATE	APPD
A	REL		20/10/2009	



SUGGESTED PCB LAYOUT (TOP VIEW)



NOTES:

1. Designed to support application, such as SOHO (ADSL modems), LAN-on-Motherboard (LOM), hub and Switches.
2. Meets IEEE 802.3 specification
3. Connector Materials:
 Housing: Thermoplastic UL94V-0
 Contact/Shield: Copper alloy
 Shield plating: Nickel
 Contact plating: Gold 6 micro-inches min. In contact area.
4. Wave solder tip temperature: 265°C Max
 Wave solder tip temperature time: 5 Sec Max

X:X	±0.30	APPD:	LINK-PP INT'L TECHNOLOGY CO., LIMITED	
X:XX	±0.20	CHKD:	TITLE: RJ45 Connector With 1000 Base-TX Integrated Magnetics	
X:XXX	±0.05	DR: TOM	PART NO.: LPJG4801GENL	
ANGLES	±1°	UNIT: mm	DWG NO.: LP09102005	
	SCALE: 2/1	SHEET: 1/2	REV: A	