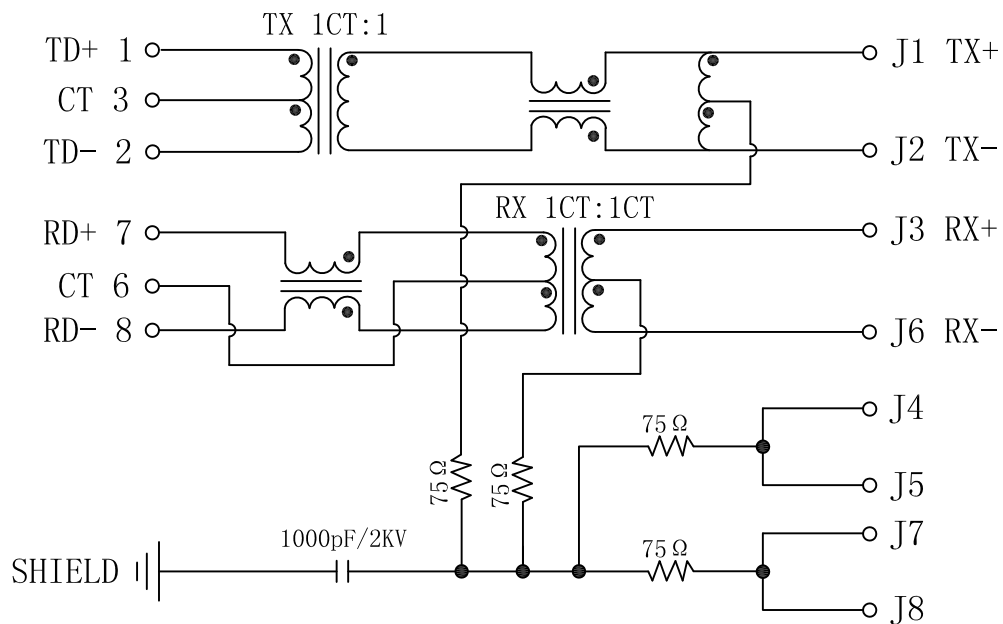


# Schematic:

REV.	ECN NO.	DESCRIPTION	DATE	APPD
A	REL		29/01/2010	

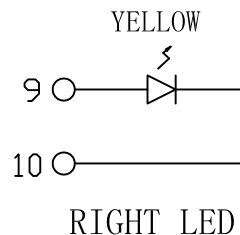
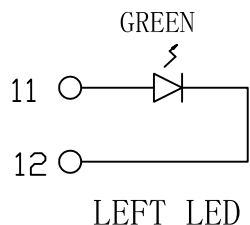
PCB SIDE TO PHY



CABLE SIDE

## Electrical Specifications @25°C

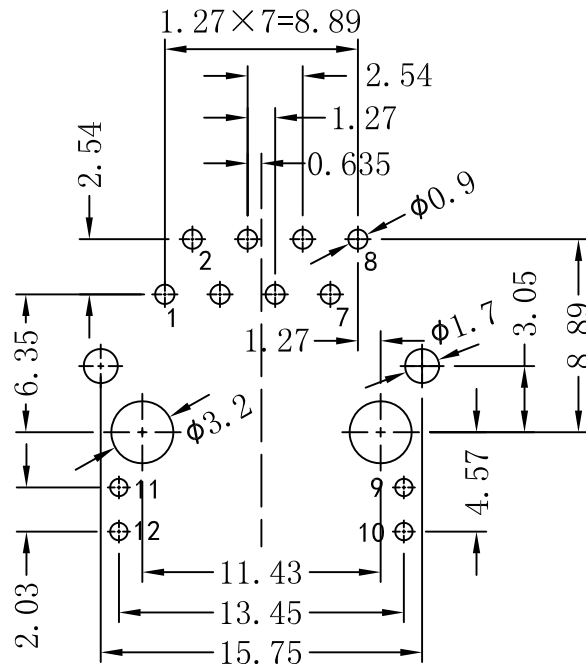
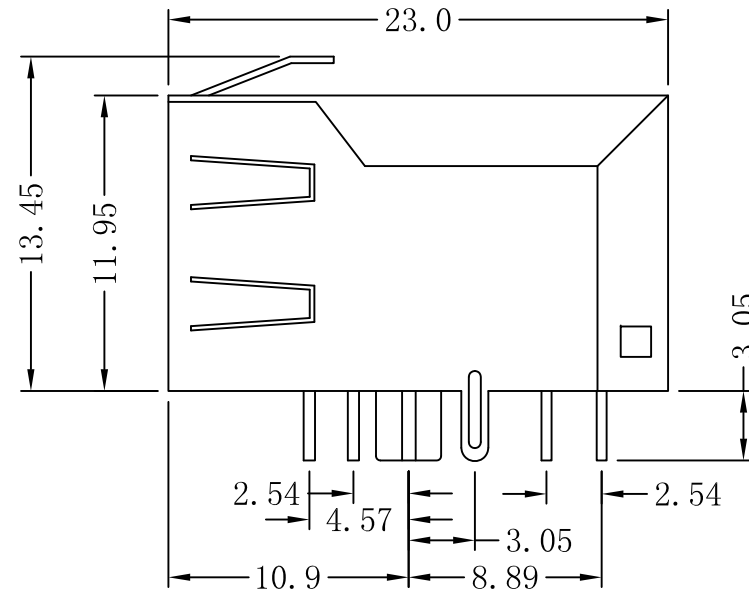
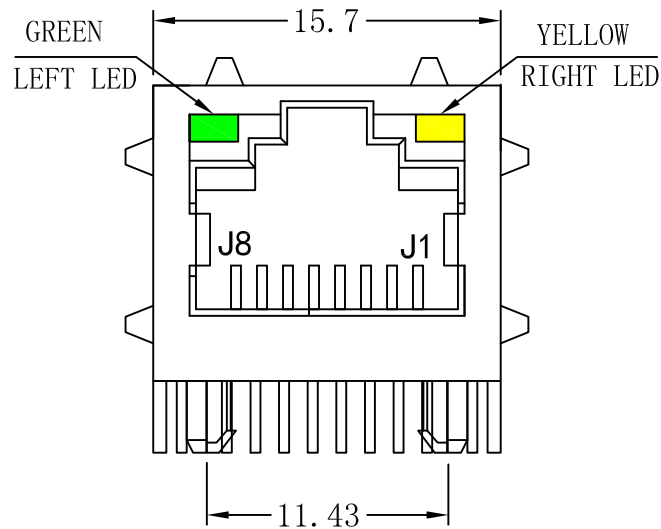
- Turns Ratio ( $\pm 5\%$ ) :  
TX=1CT:1      RX=1CT:1CT
- Inductance: 350uH Min  
@100KHz 0.1V 8mADC Bias.
- Insertion Loss:  
1-65MHz: -1.0dB MAX
- Return Loss (dB Typ):  
1-10MHz: -20      10-30MHz: -16  
30-60MHz: -12      60-80MHz: -10
- Crosstalk (dB Typ):  
1-30MHz: -40      30-60MHz: -35  
60-100MHz: -30
- Common Mode Rejection (dB Typ):  
1-50MHz: -30      50-150MHz: -20
- Isolation Voltage: 1500Vrms
- Operating Temperature: 0°C ~ 70°C.



X:X	$\pm 0.20$	APPD:	<b>LINK-PP</b>	
X:XX	$\pm 0.10$	CHKD:	LINK-PP INT'L TECHNOLOGY CO., LIMITED	
X:XXX	$\pm 0.05$	DR: TOM	TITLE: RJ45 Connector With 10/100 Base-TX Integrated Magnetic TAB-UP	
ANGLES	$\pm 1^\circ$	UNIT: mm	PART NO.: LPJ15125AENL	
	SCALE: 2/1	SHEET: 1/2	REV: A	DWG NO: LP10012912

# Mechanical:

REV.	ECN NO.	DESCRIPTION	DATE	APPD
A	REL		29/01/2010	



SUGGESTED PCB LAYOUT(TOP VIEW)



## NOTES:

1. Designed to support application, such as SOHO (ADSL modems), LAN-on-Motherboard (LOM), hub and Switches.
2. Meets IEEE 802.3 specification
3. Connector Materials:  
Housing: Thermoplastic UL94V-0  
Contact/Shield: Copper alloy  
Shield plating: Nickel  
Contact plating: Gold 6 micro-inches min. In contact area.
4. Wave solder tip temperature: 265°C Max  
Wave solder tip temperature time: 5 Sec Max

X:X	±0.20	APPD:	<b>LINK-PP</b>	
X:XX	±0.10	CHKD:	LINK-PP INT'L TECHNOLOGY CO., LIMITED	
X:XXX	±0.05	DR: TOM	TITLE: RJ45 Connector With 10/100 Base-TX Integrated Magnetic TAB-UP	
ANGLES	±1°	UNIT: mm	PART NO.: LPJ15125AENL	
	SCALE: 2/1	SHEET: 2/2	REV: A	DWG NO: LP10012912