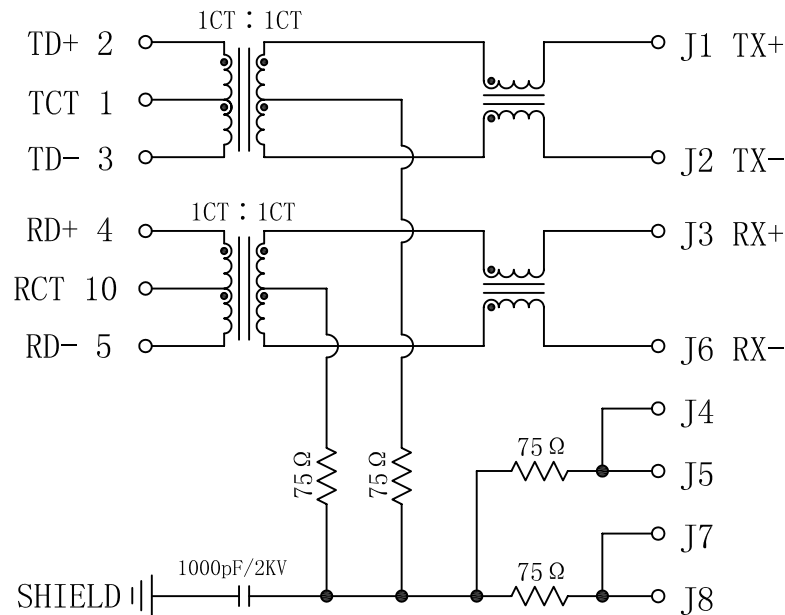


# Schematic:

REV.	ECN NO.	DESCRIPTION	DATE	APPD
A	REL		2010/06/29	

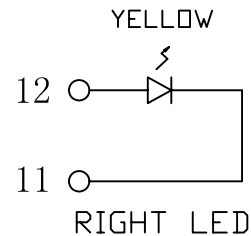
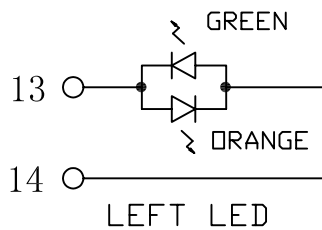
PC BOARD CONNECTIONS



RJ45 CONNECTOR

## ELECTRICAL SPECIFICATIONS @25°C

- Turn Ratio ( $\pm 2\%$ ):  
TX=1CT : 1CT      RX=1CT : 1CT
- Inductance OCL: 350uH MIN  
@100KHz, 0.1V, 8mA DC Bias.
- Insertion Loss:  
-1.0dB MAX @1~100MHz
- Return Loss:  
-18dB MIN @1~30MHz  
-16dB MIN @30~60MHz  
-12dB MIN @60~80MHz
- Cross talk:  
-40dB MIN @1~10MHz  
-35dB MIN @32~60MHz  
-30dB MIN @60~100MHz
- Common To Common Mode Rejection:  
-30dB MIN @1~50MHz  
-20dB MIN @50~150MHz
- Hipot Test: 1500VAC
- Operating Temperature: 0°C~70°C.



X:X	$\pm 0.25$	APPD:	LINK-PP INT'L TECHNOLOGY CO., LIMITED	
X:XX	$\pm 0.20$	CHKD:	TITLE: RJ45 10/100 Base-TX Jack/ Dual USB Combo	
X:XXX	$\pm 0.05$	DR: TOM	PART NO.: LPJU5183BONL	
ANGLES	$\pm 1^\circ$	UNIT: mm		
	SCALE: 2/1	SHEET: 1/2	REV: A	DWG NO.: LP10062910

