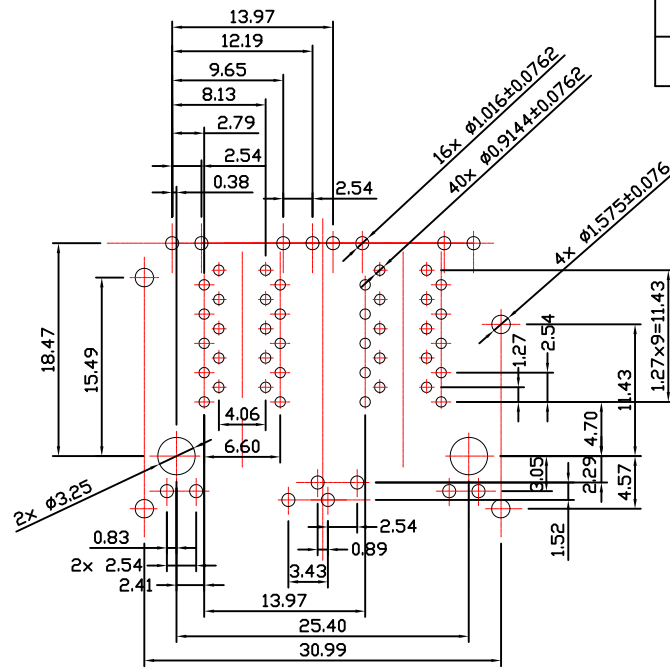
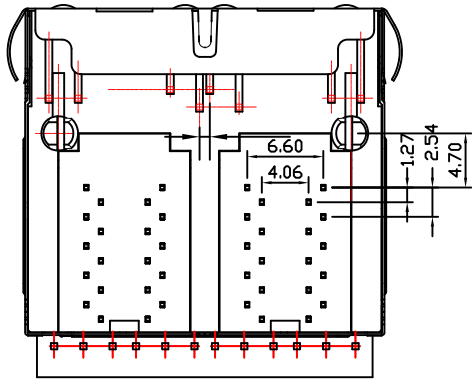
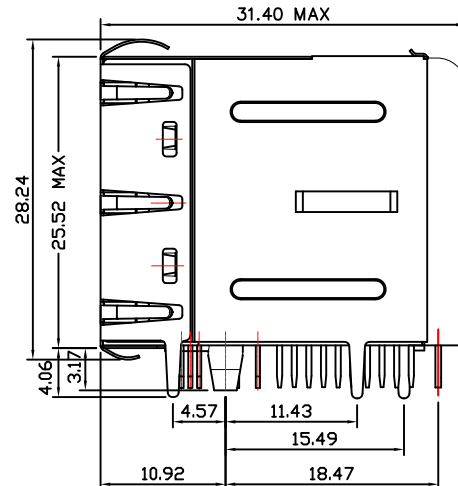
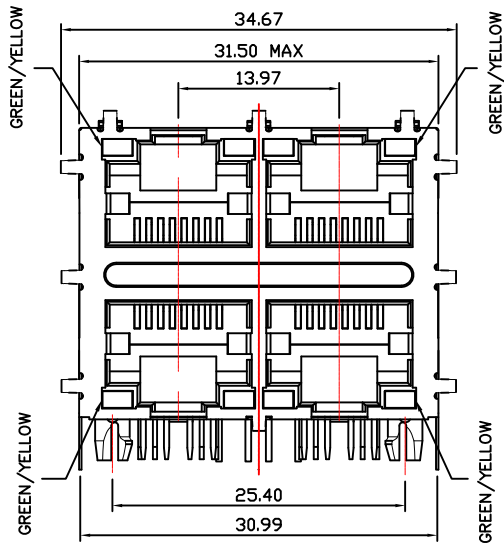
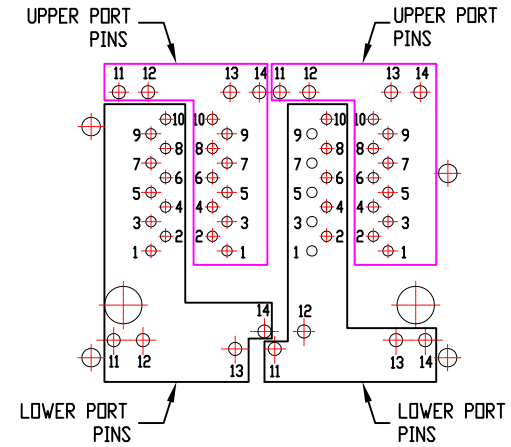


Mechanical:

REV.	ECN NO.	DESCRIPTION	DATE	APPD
A	REL		2011/05/21	



SUGGESTED PCB LAYOUT(TOP VIEW)



NOTES:

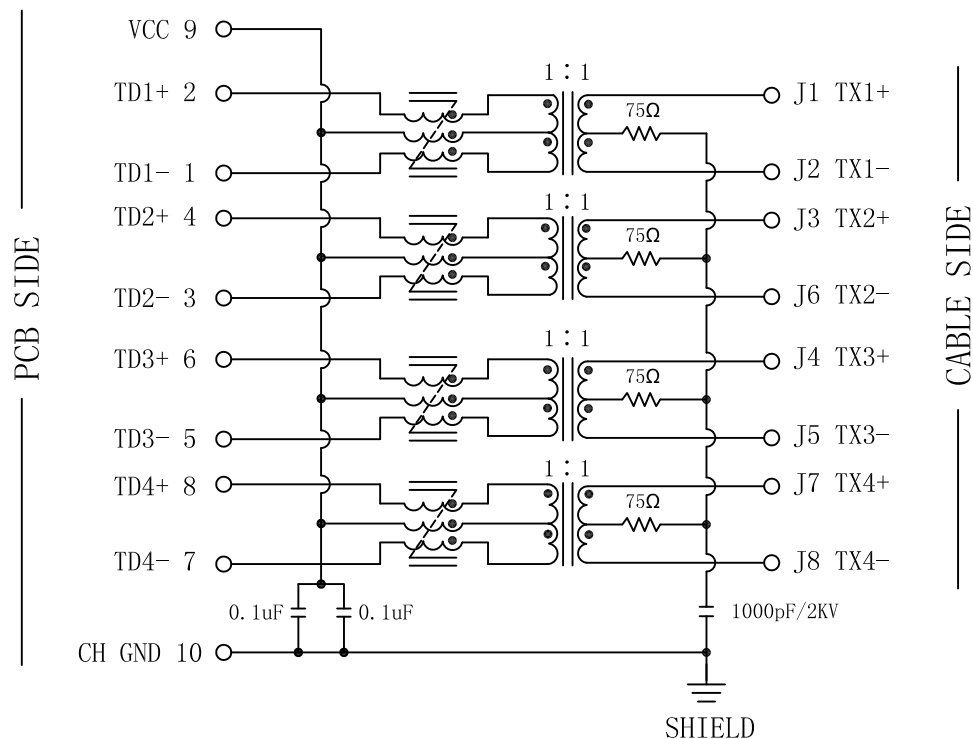
1. Designed to support application, such as SOHO (ADSL modems), LAN-on-Motherboard (LOM), hub and Switches.
2. Meets IEEE 802.3 specification
3. Connector Materials:  
 Housing: Thermoplastic UL94V-0  
 Contact/Shield: Copper alloy  
 Shield plating: Nickel  
 Contact plating: Gold 6 micro-inches min. In contact area.
4. Wave solder tip temperature: 265°C Max  
 Wave solder tip temperature time: 5 Sec Max



X:X	±0.30	APPD:	<b>LINK-PP</b> LINK-PP INT'L TECHNOLOGY CO., LIMITED	
X:XX	±0.20	CHKD:		
X:XXX	±0.05	DR:	TOM	PART NO. : LPJG27747A4NL
ANGLES	±1°	UNIT:	mm	DWG NO. : LP14041101
		SCALE:	2/1	SHEET: 2/2
		REV:	A	

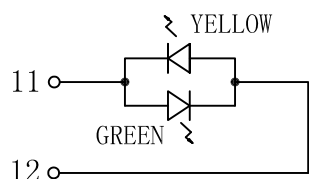
# Schematic:

REV.	ECN NO.	DESCRIPTION	DATE	APPD
A	REL		2011/05/21	



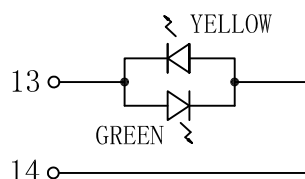
## Electrical Specifications @25°C

1. OCL (@100KHz, 100mV, 8mA DC Bias):  
350uH min
2. Turns Ratio: 1CT : 1CT ±2%
3. Insertion Loss:  
100KHz: -1.2dB Max  
1~125MHz:  $-0.2 - 0.002 * f^{1.4}$  dB Max
4. Return Loss (@100Ω ±15%):  
0.1~40MHz: -18dB Min  
40~100MHz:  $-12 + 20 * \log_{10}(f/80\text{MHz})$  dB Min
5. Crosstalk (dB Min):  
1MHz: -50  
10~100MHz:  $-55 + 22 * \log_{10}(f/10)$
6. Common Mode Rejection Ratio:  
2MHz: -50dB Min  
30~200MHz:  $-15 + 20 * \log_{10}(f/200)$  dB Min
7. Hi-Pot: 1500Vrms @60Hz
8. Operating Temperature: 0°C ~70°C.



LEFT LED

LED POLARITY		COLOR
PIN 11	PIN 12	
+	-	GREEN
-	+	YELLOW



RIGHT LED

LED POLARITY		COLOR
PIN 13	PIN 14	
+	-	GREEN
-	+	YELLOW

X:X ±0.30	APPD:	<b>LINK-PP</b> LINK-PP INT'L TECHNOLOGY CO., LIMITED		
X:XX ±0.20	CHKD:			
X:XXX ±0.05	DR: TOM	TITLE: RJ45 Connector With 1000 Base-T Integrated Magnetics		
ANGLES ±1°	UNIT: mm	PART NO.: LPJG27747A4NL		
	SCALE: 2/1	SHEET: 2/2	REV: A	DWG NO.: LP14041101