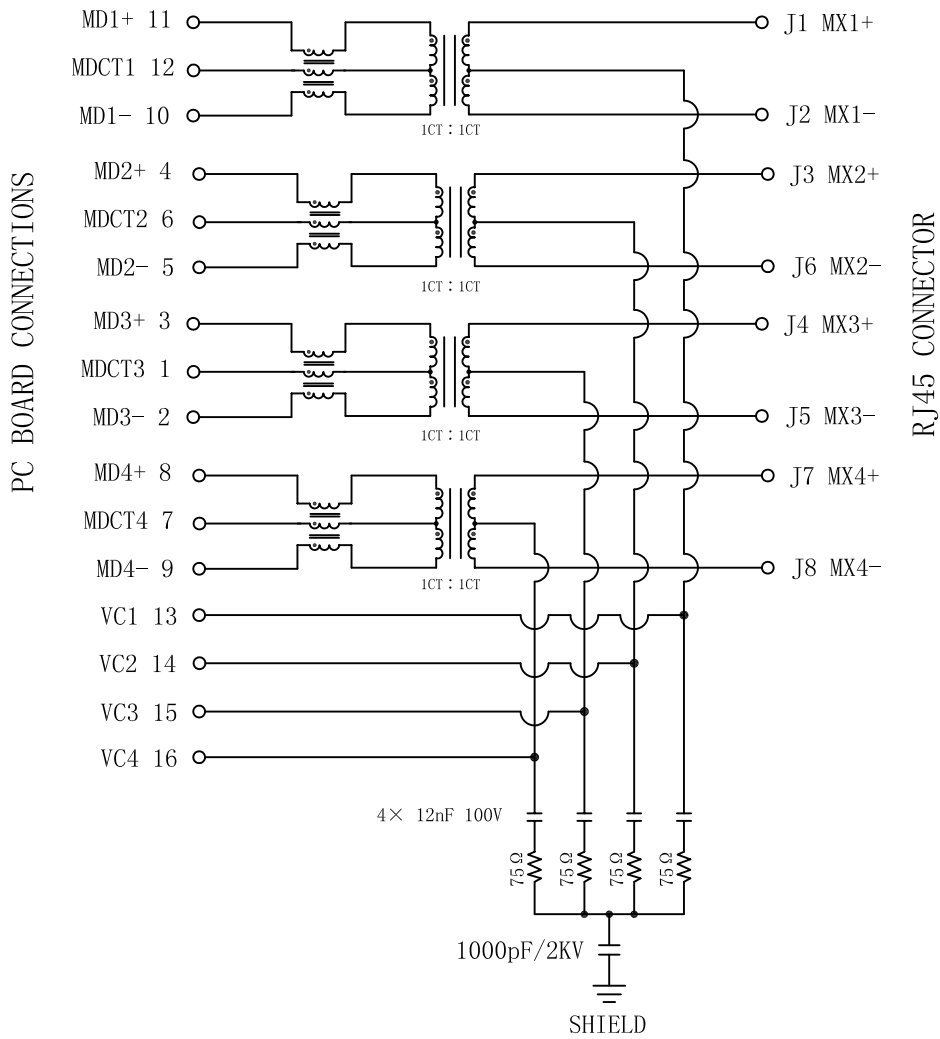


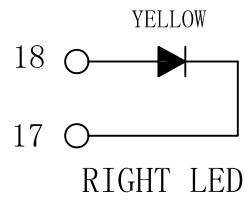
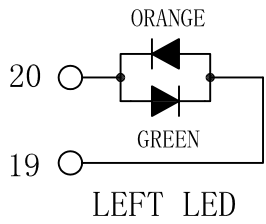
# Schematic:

REV.	ECN NO.	DESCRIPTION	DATE	APPD
A	REL		2010/08/20	



## Electrical Specifications @25°C

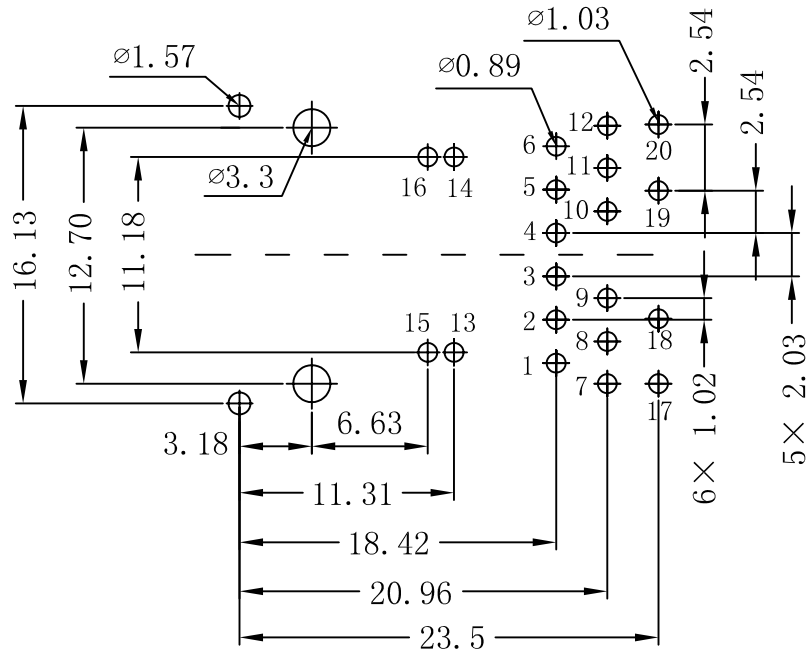
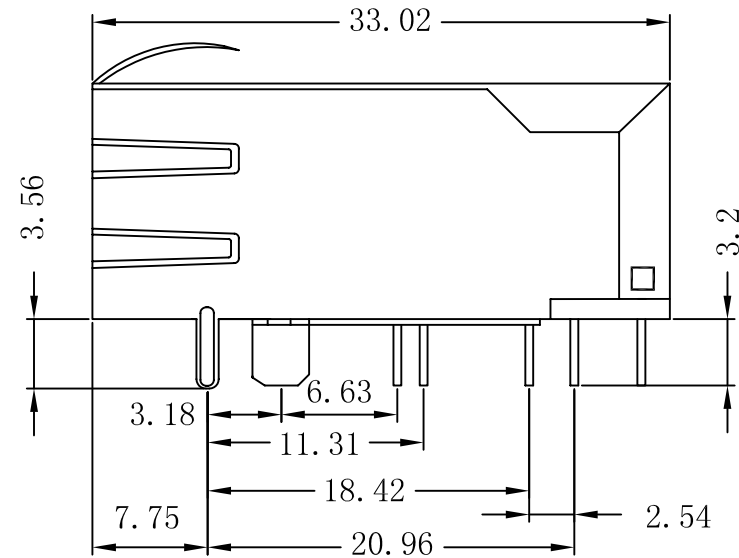
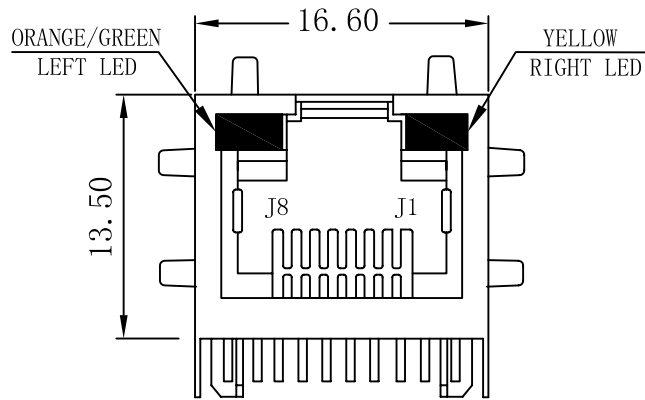
- Inductance: 350uH Min @ 100KHz, 0.1V, 8mA DC BIAS
- Turns Ratio ( $\pm 2\%$ ):  
TX=1CT:1CT      RX=1CT:1CT
- Insertion Loss (dB Max):  
0.1-1MHz: -1.1      1-65MHz: -0.5  
65-100MHz: -0.8      100-125MHz: -1.2
- Return Loss (dB Min):  
0.5-40MHz: -18  
40-100MHz:  $-[12+20\text{LOG}(f/80\text{MHz})]$
- Crosstalk:  
0.1-100MHz:  $-[33+20\text{LOG}(f/100\text{MHz})]$  dB Min
- CM TO CM REJ:  
0.1-100MHz: -30dB Min
- CM TO DM REJ:  
0.1-100MHz: -35dB Min
- Hipot: 1500Vrms Min @60Hz
- Operating Temperature: 0°C ~ 70°C.



X:X	$\pm 0.20$	APPD:	LINK-PP INT'L TECHNOLOGY CO., LIMITED	
X:XX	$\pm 0.10$	CHKD:		
X:XXX	$\pm 0.05$	DR: TOM	Title: RJ45 Connector with 1000 Base-TX Integrated Magnetic & PoE	
ANGLES	$\pm 1^\circ$	UNIT: mm	PART NO.: LPJK2065A0NL	
	SCALE: 2/1	SHEET: 1/2	REV: A	DWG NO.: LP10082006

# Mechanical:

REV.	ECN NO.	DESCRIPTION	DATE	APPD
A	REL		2010/08/20	



SUGGESTED PCB LAYOUT (TOP VIEW)

## NOTES:

1. Designed to support application, such as SOHO (ADSL modems), LAN-on-Motherboard (LOM), hub and Switches.
2. Meets IEEE 802.3 specification
3. Connector Materials:  
 Housing: Thermoplastic UL94V-0  
 Contact/Shield: Copper alloy  
 Shield plating: Nickel  
 Contact plating: Gold 6 micro-inches min. In contact area.
4. Wave solder tip temperature: 265°C Max  
 Wave solder tip temperature time: 5 Sec Max



X:X	±0.20	APPD:	LINK-PP INT'L TECHNOLOGY CO., LIMITED
X:XX	±0.10	CHKD:	
X:XXX	±0.05	DR: TOM	Title: RJ45 Connector with 1000 Base-TX Integrated Magnetic & PoE
ANGLES	±1°	UNIT: mm	PART NO.: LPJK2065A0NL
	SCALE: 2/1	SHEET: 2/2	REV: A DWG NO.: LP10082006