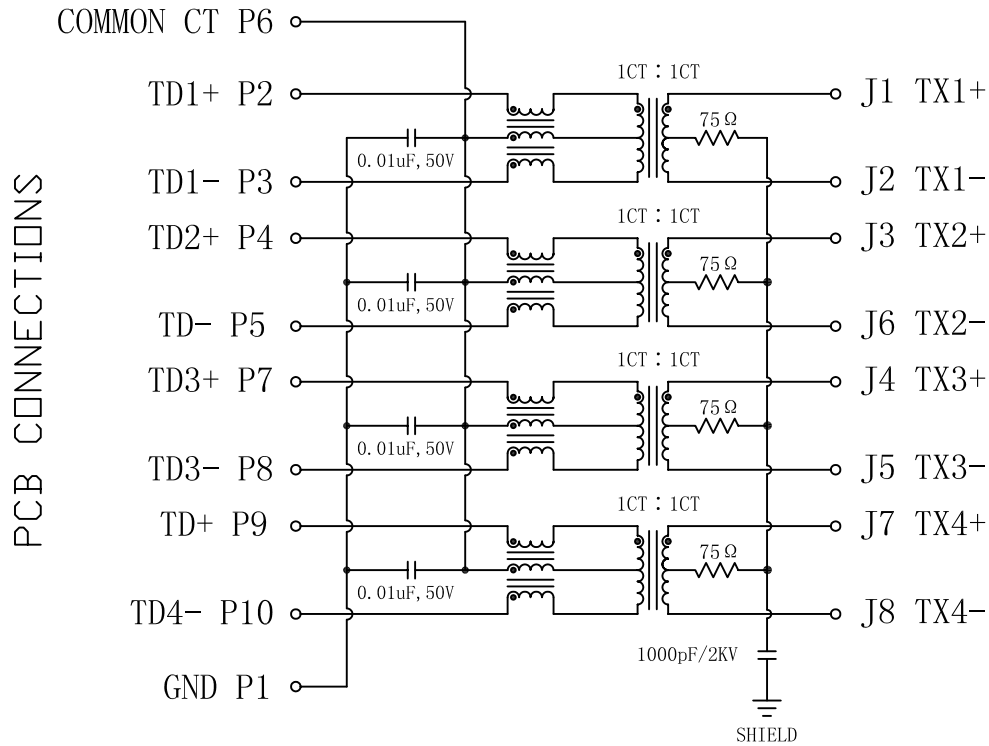


Schematic:

REV.	ECN NO.	DESCRIPTION	DATE	APPD
A	REL		2013/10/22	

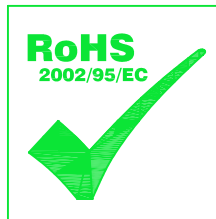
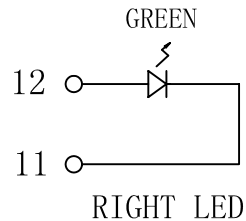
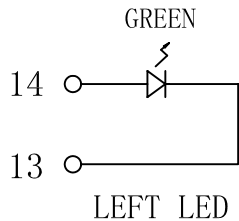


PCB CONNECTIONS

RJ45 CONNECTOR

Electrical Specifications @25°C

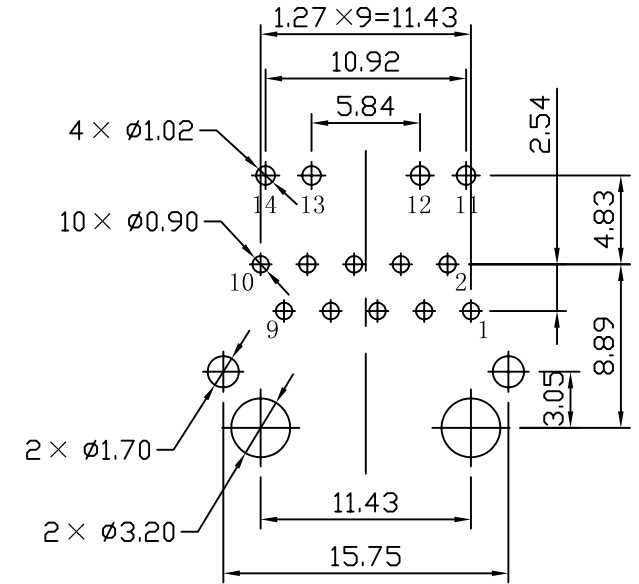
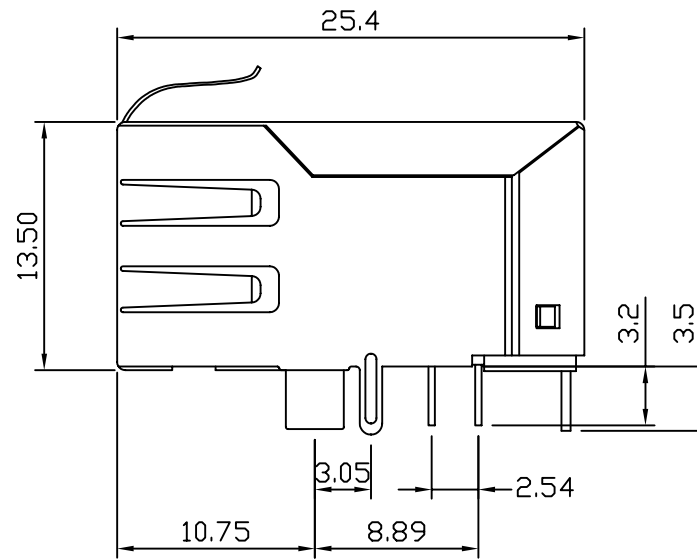
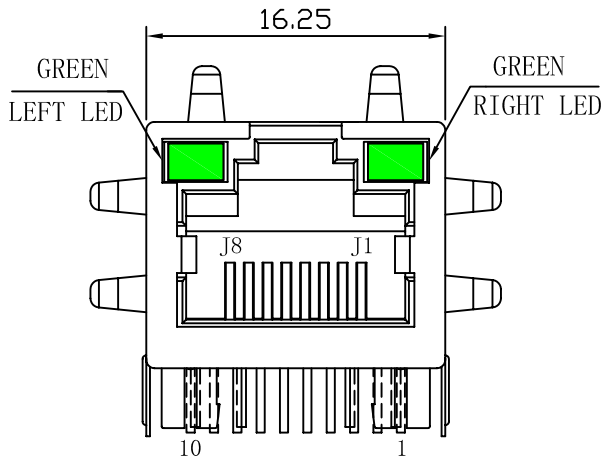
- Turns Ratio ($\pm 2\%$):
1CT : 1CT
- Inductance: 350uH Min
@100KHz, 0.1V, 8mA DC BIAS
- Insertion Loss:
0.1-100MHz: -1.1dB Max
- Return Loss (dB Min):
0.5-40MHz: -18
40.1-100MHz: -12-20LOG(f/80MHz)
- Cross Talk (dB Min):
0.5-40MHz: -35
40.1-100MHz: -33-20LOG(f/50)
- Common Mode Rejection Ratio (CMRR):
0.5-100MHz: -30dB Min
- Hipot: 1500Vrms.
- Operating Temperature: 0°C ~ 70°C.



X:X ±0.25	APPD:	LINK-PP INT'L TECHNOLOGY CO., LIMITED		
X:XX ±0.20	CHKD:	TITLE: RJ45 Connector with 1000 Base-T Integrated Magnetics		
X:XXX ±0.05	DR: TOM	PART NO.: LPJG17366AWN		
ANGLES ±1°	UNIT: mm			
	SCALE: 2/1	SHEET: 1/2	REV: A	DWG NO.: LP13102201

Mechanical:

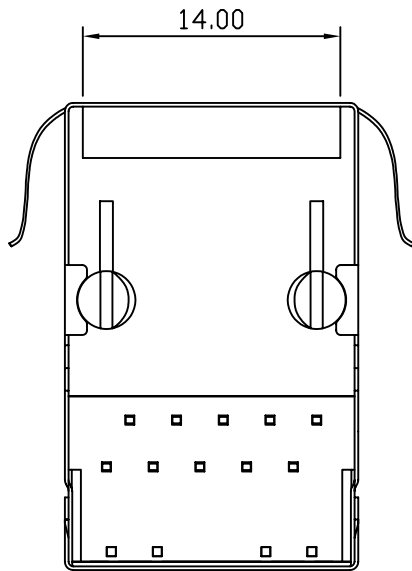
REV.	ECN NO.	DESCRIPTION	DATE	APPD
A	REL		2013/10/22	



SUGGESTED PCB LAYOUT(TOP VIEW)

NOTES:

1. Designed to support application, such as SOHO (ADSL modems), LAN-on-Motherboard (LOM), hub and Switches.
2. Meets IEEE 802.3 specification
3. Connector Materials:
 Housing: Thermoplastic UL94V-0
 Contact/Shield: Copper alloy
 Shield plating: Nickel
 Contact plating: Gold 6 micro-inches min. In contact area.
4. Wave solder tip temperature: 265°C Max
 Wave solder tip temperature time: 5 Sec Max



X:X ±0.25	APPD:	LINK-PP INT'L TECHNOLOGY CO., LIMITED
X:XX ±0.20	CHKD:	
X:XXX ±0.05	DR: TOM	TITLE: RJ45 Connector with 1000 Base-T Integrated Magnetics
ANGLES ±1°	UNIT: mm	PART NO.: LPJG17366AWN
	SCALE: 2/1	SHEET: 2/2
	REV: A	DWG NO.: LP13102201