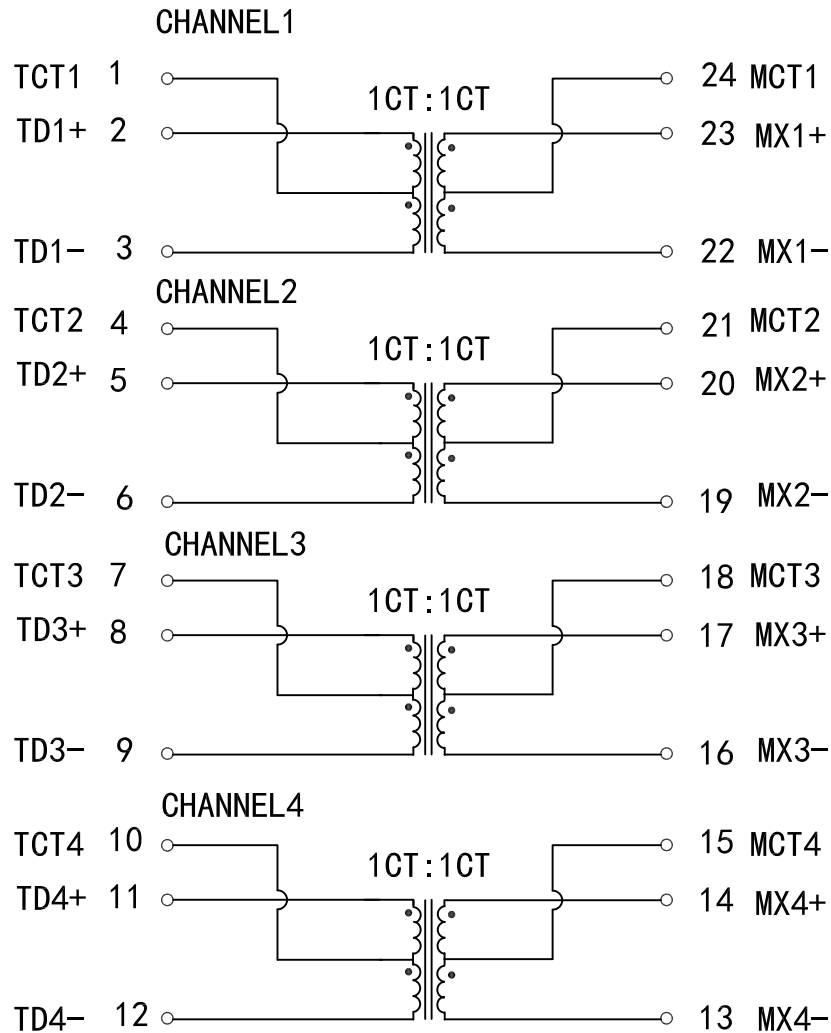


Schematic:

REV.	ECN NO.	DESCRIPTION	DATE	APPD
A	REL		20/12/2007	



Electrical Specification @25°C

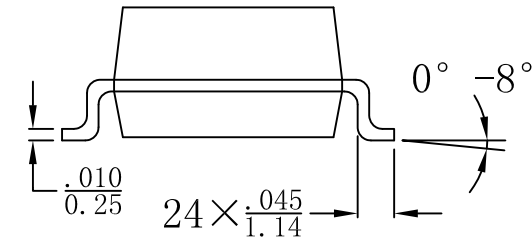
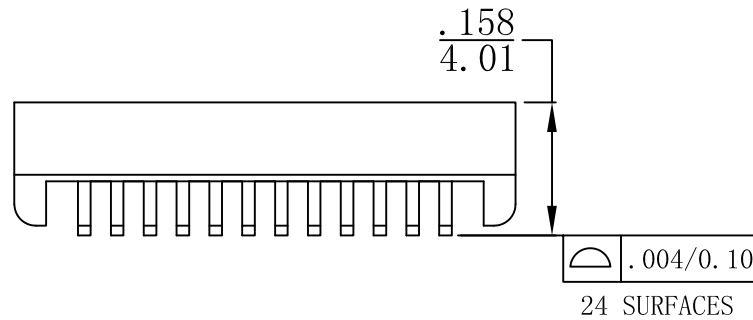
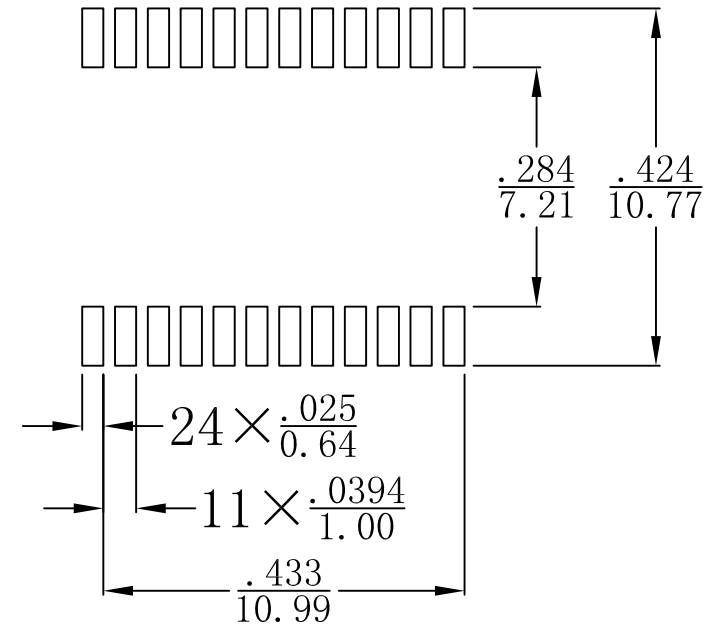
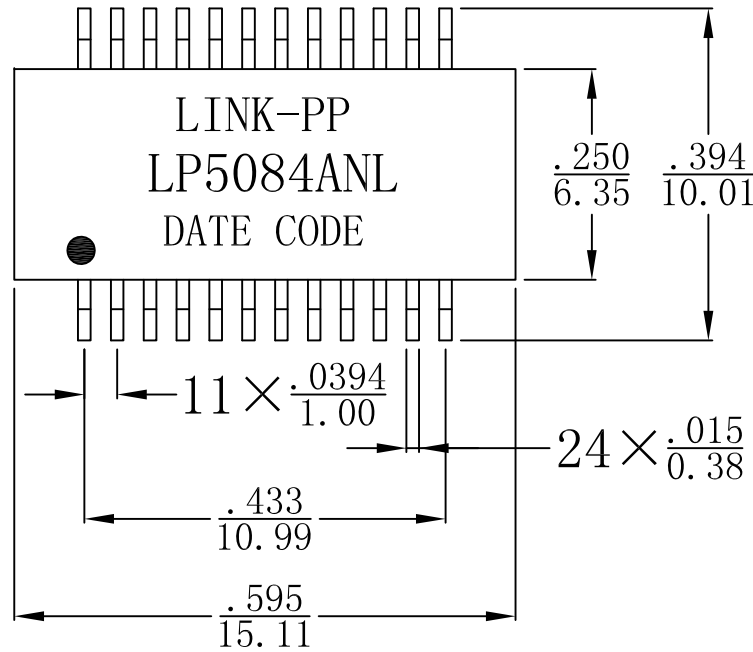
- Insertion Loss:
1-100MHz:-1.0dB MAX
- Return Loss(dB MIN):
1-30MHz:-18 40MHz:-18
50MHz:-16 60-80MHz:-12
100MHz:-10
- Crosstalk(dB MIN):
30MHz:-45 60MHz:-40
100MHz:-35
- Differential to Common Mode Rejection:
30MHz:-43dB MIN
60MHz:-37dB MIN
100MHz:-33dB MIN
- Hipot: 1500Vrms MIN
- Operating Temperature: -40°C ~ +85°C.



X:X	±0.30	APPD:	LINK-PP INT'L TECHNOLOGY CO., LIMITED	
X:XX	±0.25	CHKD:	TITLE: 1000Base-T Magnetics Modules	
X:XXX	±0.05	DR: TOM	PART NO.: LP5084ANL	
ANGLES	±1°	UNIT: Inches/mm		
	SCALE: 2/1	SHEET: 1/2	REV: A	DWG NO.:

Mechanical:

REV.	ECN NO.	DESCRIPTION	DATE	APPD
A	REL		20/12/2007	



NOTES:

1. DESIGNED FOR GIGABIT TRANSCEIVERS
2. RoHS COMPLIANT
3. PEAK REFLOW TEMPERATURE RATING 260°C
4. MAGNETICS, DESIGNED FOR GIGABIT PHY USED IN BACKPLANE
5. COMPLIANT WITH IEEE 802.3AB STANDARD

X:X	±0.30	APPD:	LINK-PP INT'L TECHNOLOGY CO., LIMITED	
X:XX	±0.25	CHKD:	TITLE: 1000Base-T Magnetics Modules	
X:XXX	±0.05	DR: TOM	PART NO.: LP5084ANL	
ANGLES	±1°	UNIT: Inches/mm		
	SCALE: 2/1	SHEET: 2/2	REV: A	DWG NO.: