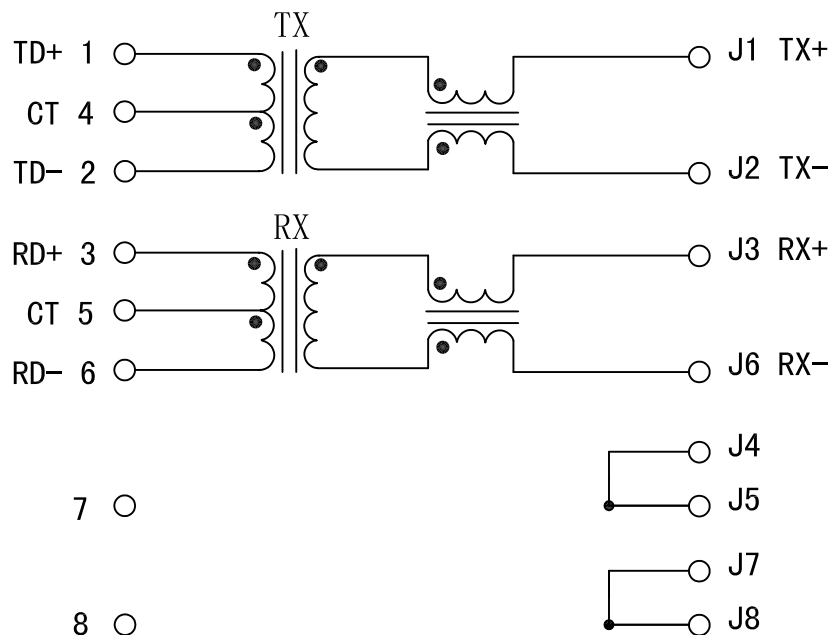


# Schematic:

REV.	ECN NO.	DESCRIPTION	DATE	APPD
A	REL		2010/04/10	

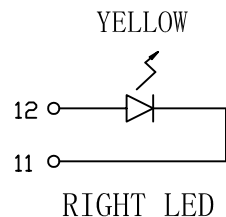
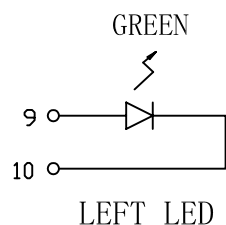
PCB SIDE TO PHY



CABLE SIDE

## Electrical Specifications @25°C

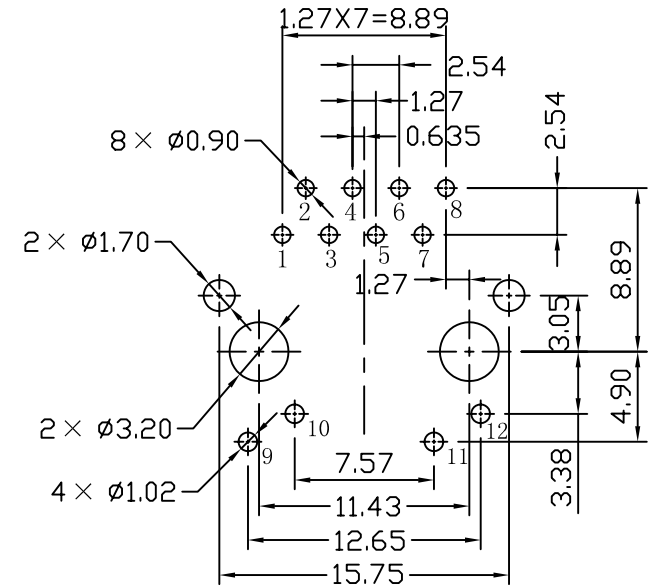
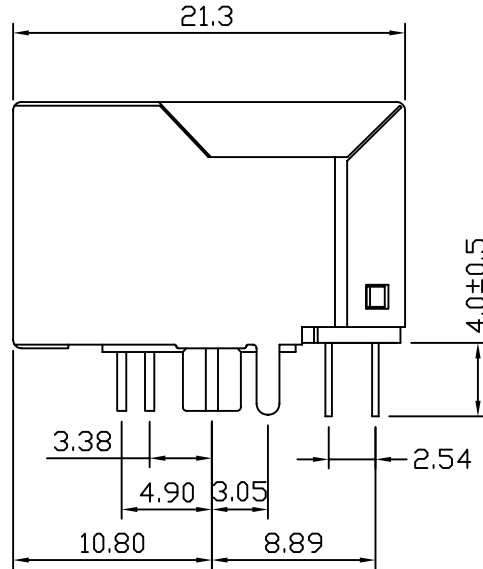
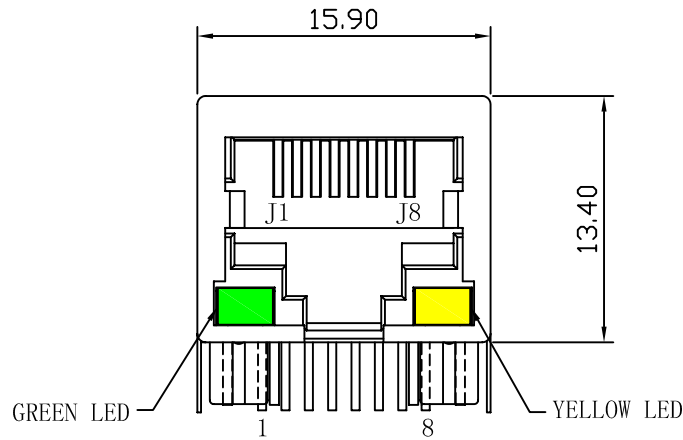
- Turns Ratio:  
TX=1CT:1      RX=1CT:1
- Inductance:  
350uH Min @100KHz, 0.1V, 8mA
- Insertion Loss:  
1-65MHz:-1.0dB Max
- Return Loss(dB Min @100Ω±15Ω):  
1-10MHz:-18      10-30MHz:-14  
30-60MHz:-12      60-80MHz:-10
- Crosstalk(dB Min):  
1-30MHz:-35      30-60MHz:-35  
60-100MHz:-30
- CMR: (dB Min):  
1-50MHz:-20      50-150MHz:-15
- Hipot: 1500Vrms @60Hz 1 MIN
- Operating Temperature: 0°C ~70°C.



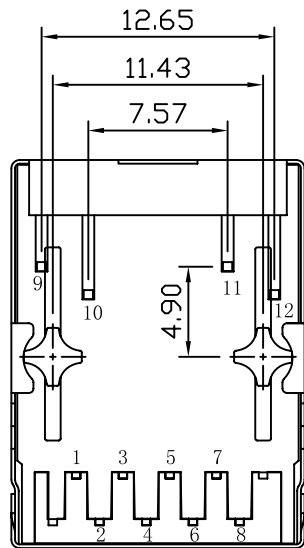
X:X ±0.25	APPD:	LINK-PP INT'L TECHNOLOGY CO., LIMITED		
X:XX ±0.20	CHKD:	TITLE: RJ45 Connector With 10 Base-TX Integrated Magnetic		
X:XXX ±0.05	DR: TOM	PART NO.: LPJ0113BBNL		
ANGLES ±1°	UNIT: mm			
	SCALE: 2/1	SHEET: 1/2	REV: A	DWG NO.: LP100410119

# Mechanical:

REV.	ECN NO.	DESCRIPTION	DATE	APPD
A	REL		2010/04/10	



SUGGESTED PCB LAYOUT (TOP VIEW)



## NOTES:

1. Designed to support application, such as SOHO (ADSL modems), LAN-on-Motherboard (LOM), hub and Switches.
2. Meets IEEE 802.3 specification
3. Connector Materials:  
 Housing: Thermoplastic UL94V-0  
 Contact/Shield: Copper alloy  
 Shield plating: Nickel  
 Contact plating: Gold 6 micro-inches min. In contact area.
4. Wave solder tip temperature: 265°C Max  
 Wave solder tip temperature time: 5 Sec Max



X:X ±0.25	APPD:	LINK-PP INT'L TECHNOLOGY CO., LIMITED
X:XX ±0.20	CHKD:	
X:XXX ±0.05	DR: TOM	TITLE: RJ45 Connector With 10 Base-TX Integrated Magnetic
ANGLES ±1°	UNIT: mm	PART NO.: LPJ0113BBNL
	SCALE: 2/1	SHEET: 2/2
	REV: A	DWG NO.: LP100410119