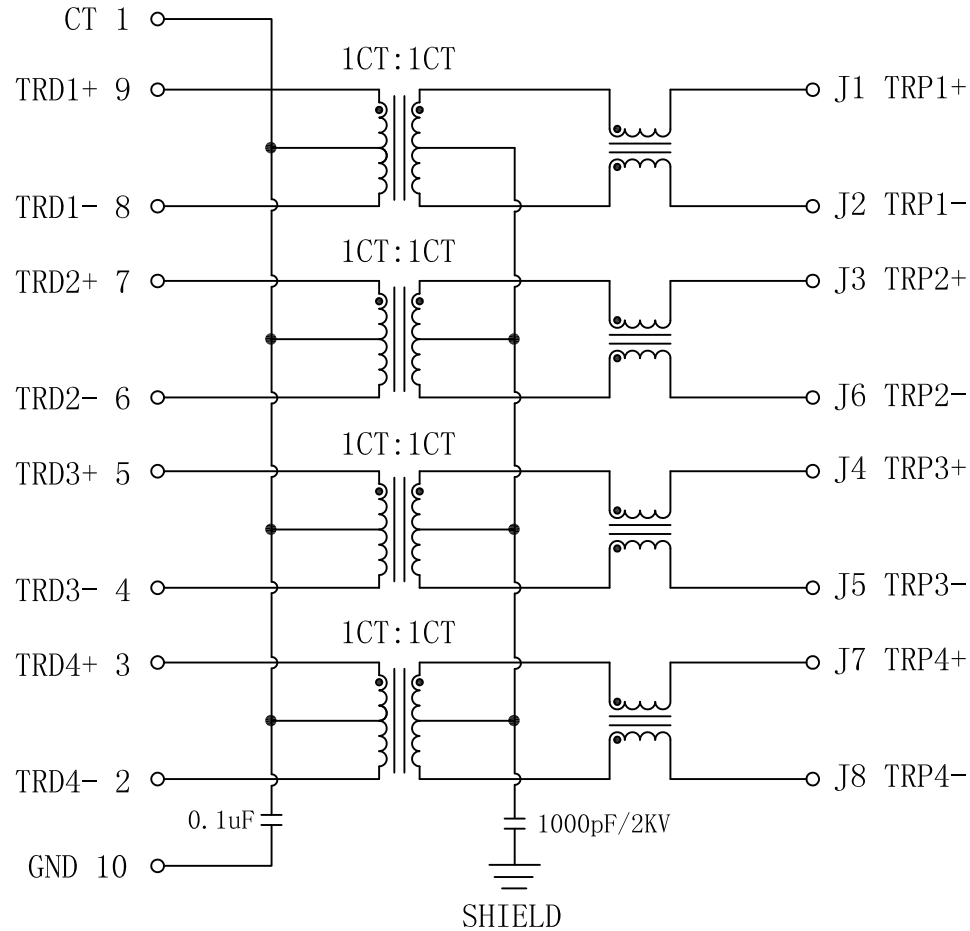


Schematic:

REV.	ECN NO.	DESCRIPTION	DATE	APPD
A	REL		05/05/2009	

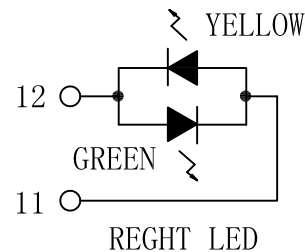
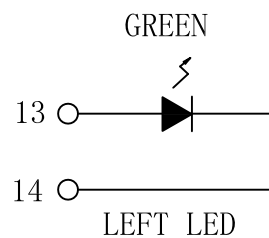
PIN

RJ45



Electronics Specifications @25°C

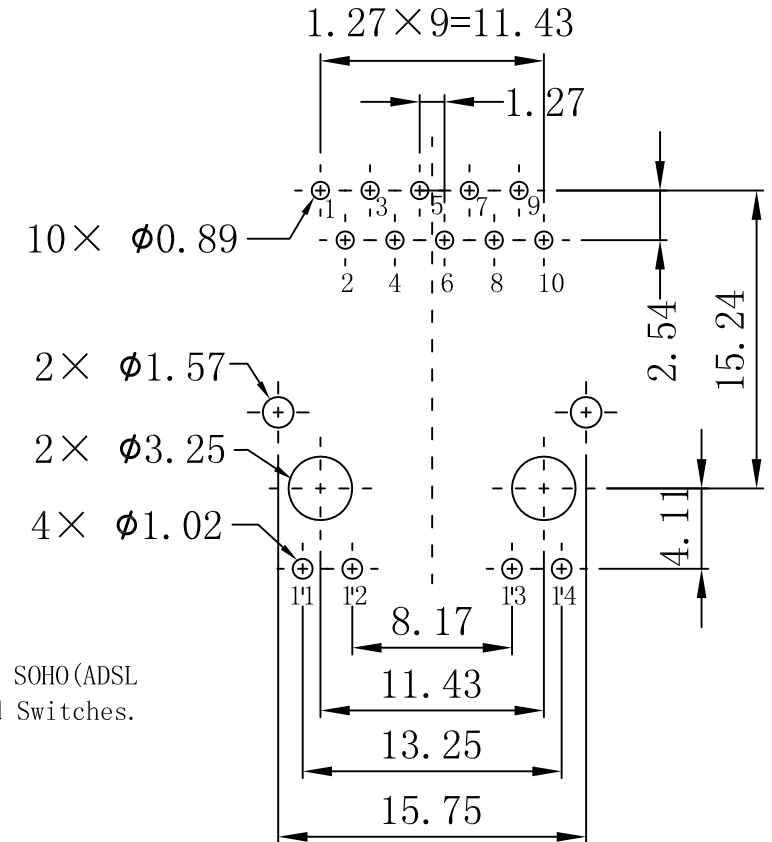
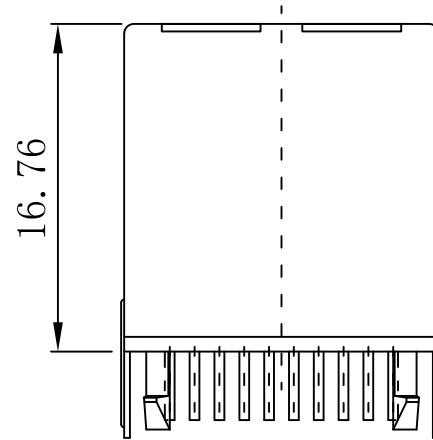
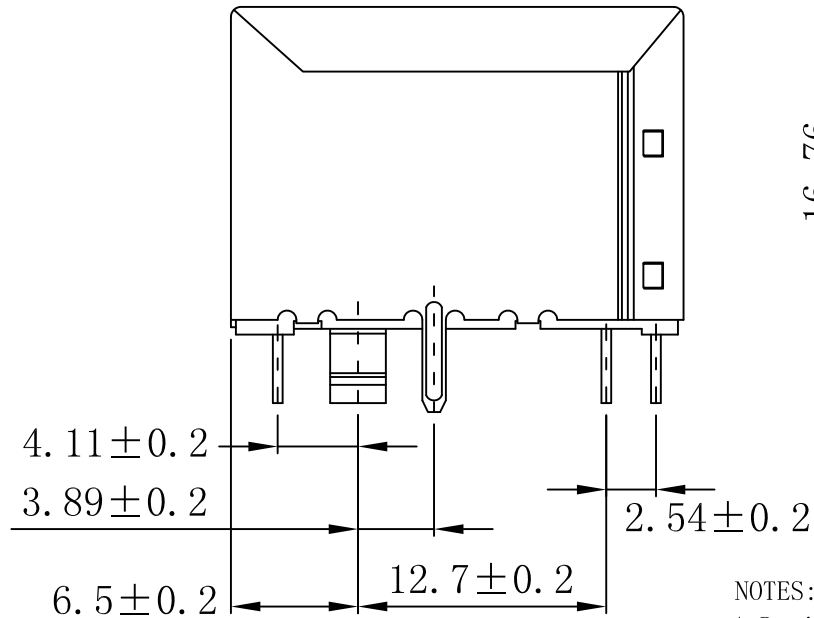
1. TURNS RATIO($\pm 3\%$): 1CT : 1CT
2. OCL(100KHz, 0.1V, 8mA): 350uH MIN
3. HIPOT(Isolation Voltage): 1500Vrms
4. INSERTION LOSS:
 - 1.1dB MAX @ 1MHz TO 100MHz
5. RETURN LOSS(100 OHMS $\pm 15\%$):
 - 18dB MIN @ 1MHz TO 40MHz
 - 14dB MIN @ 60MHz
 - 12dB MIN @ 80MHz
 - 10dB MIN @ 100MHz
6. CROSS TALK:
 - 40dB MIN @ 1MHz TO 30MHz
 - 30dB MIN @ 30MHz TO 60MHz
7. CM TO CM REJ:
 - 20dB MIN @ 1MHz TO 100MHz
8. OPERATING TEMPERATURE RANGE: 0°C ~ +70°C.



X:X	± 0.20	APPD:	LINK-PP INT'L TECHNOLOGY CO., LIMITED	
X:XX	± 0.10	CHKD:	TITLE: Vertical RJ45 Connector With 1000 Magnetic	
X:XXX	± 0.05	DR: TOM	PART NO.: LPJD0834BUNL	
ANGLES	$\pm 1^\circ$	UNIT: mm		
	SCALE: 2/1	SHEET: 1/2	REV: A	DWG NO.: LP09050533

Mechanical :

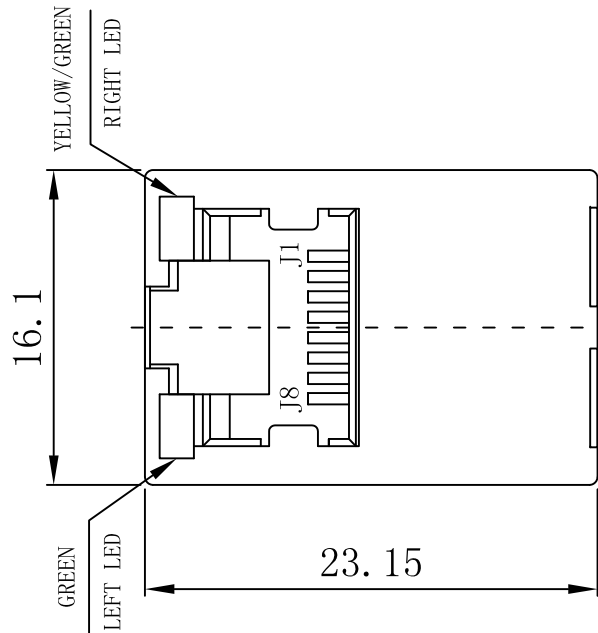
REV.	ECN NO.	DESCRIPTION	DATE	APPD
A	REL		05/05/2009	



SUGGESTED PCB LAYOUT (TOP VIEW)

NOTES:

1. Designed to support application, such as SOHO (ADSL modems), LAN-on-Motherboard (LOM), hub and Switches.
2. Meets IEEE 802.3 specification
3. Connector Materials:
 Housing: Thermoplastic UL94V-0
 Contact/Shield: Copper alloy
 Shield plating: Nickel
 Contact plating: Gold 6 micro-inches min. In contact area.
 USB Contact plating: Gold flash.
4. Wave solder tip temperature: 265°C Max
 Wave solder tip temperature time: 5 Sec Max
5. UL Certification: File Number E321120



X:X	±0.20	APPD:	LINK-PP INT'L TECHNOLOGY CO., LIMITED
X:XX	±0.10	CHKD:	
X:XXX	±0.05	DR: TOM	TITLE: Vertical RJ45 Connector With 1000 Magnetic
ANGLES	±1°	UNIT: mm	PART NO.: LPJD0834BUNL
	SCALE: 2/1	SHEET: 2/2	REV: A DWG NO.: LP09050533