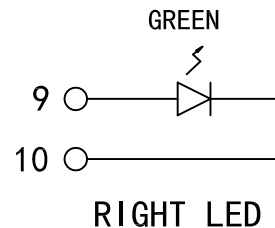
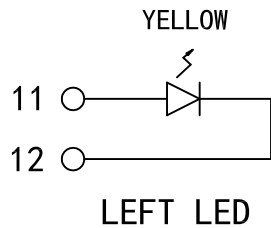
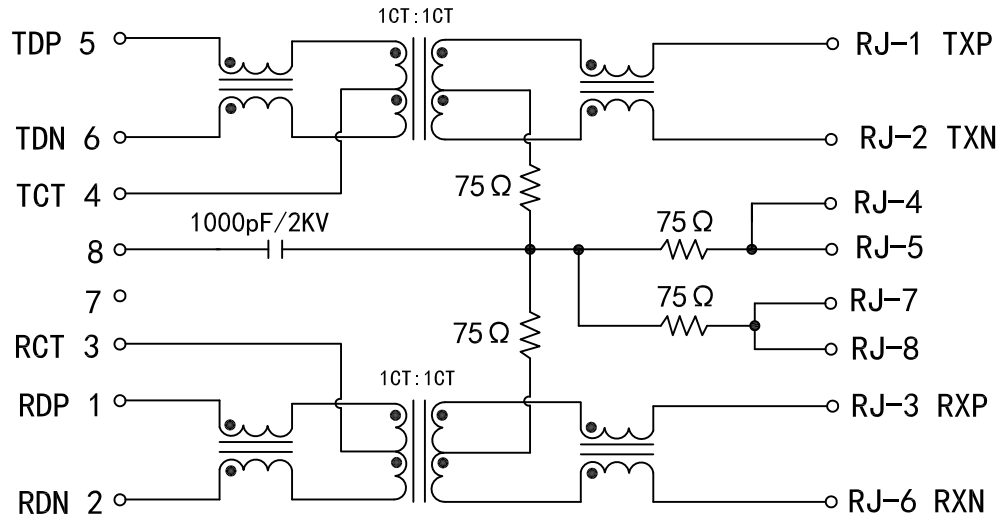


# Schematic:

| REV. | ECN NO. | DESCRIPTION | DATE       | APPD |
|------|---------|-------------|------------|------|
| A    | REL     |             | 2012/07/20 |      |



## Electrical Specifications @25°C

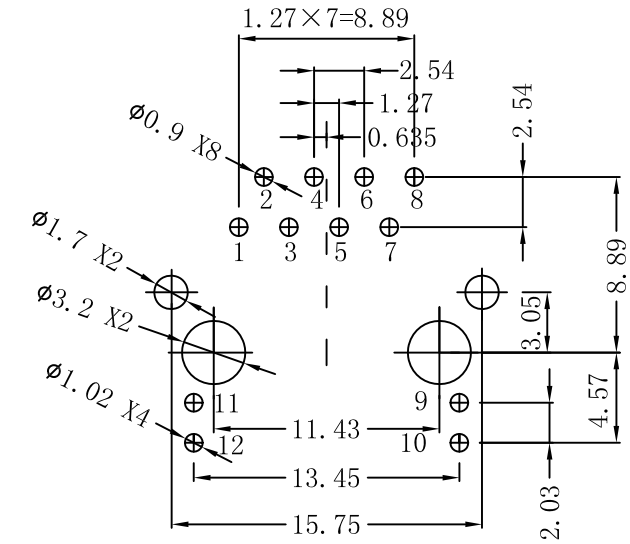
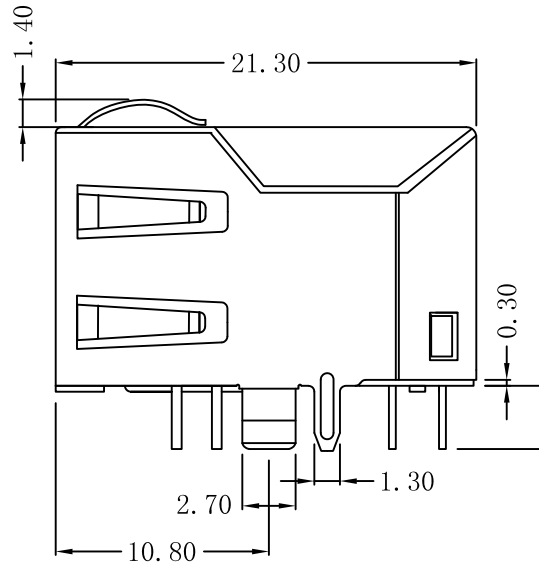
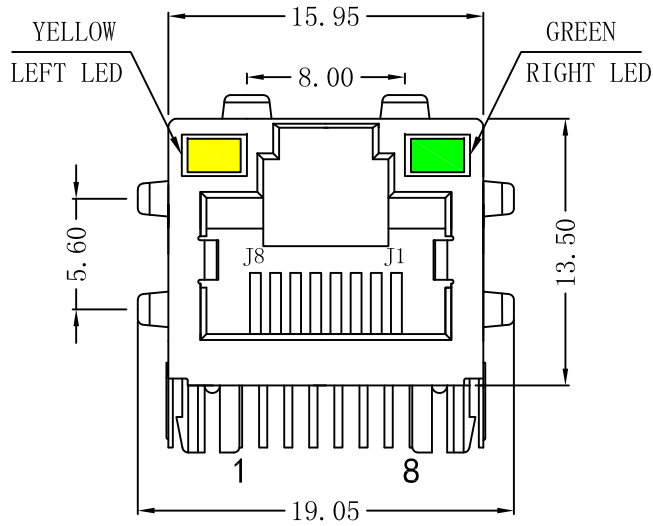
- Turns Ratio ( $\pm 2\%$ ):  
TX=1CT:1CT      RX=1CT:1CT
- Inductance OCL: 350uH Min  
@100KHz, 01Vrms, 8mADC Bias
- Insertion Loss:  
0.5-100MHz:-1.1dB Max
- Return Loss(dB Min):  
0.5-30MHz:-18  
30.1-60MHz:-18-20LOG(f/30)  
60.1-80MHz:-12
- Crosstalk(dB Min):  
0.5-40MHz:-35  
40.1-100MHz:-33-20LOG(f/50)
- Common Mode Rejection Ratio(CMRR):  
0.5-100MHz:-30dB Min
- Isolation Voltage: 1500Vrms
- Operating Temperature:  $-40^{\circ}\text{C} \sim +85^{\circ}\text{C}$ .



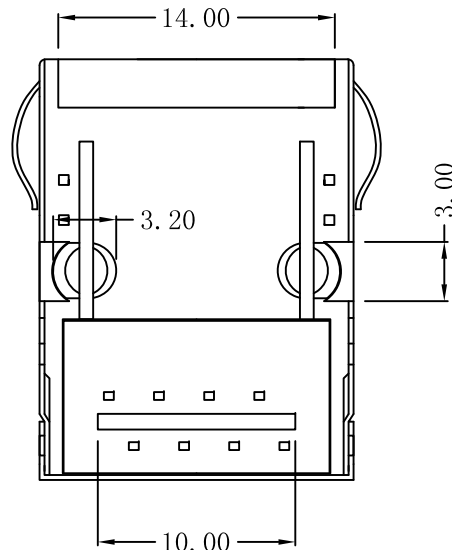
|        |                 |            |                                       |
|--------|-----------------|------------|---------------------------------------|
| X:X    | $\pm 0.20$      | APPD:      | LINK-PP INT'L TECHNOLOGY CO., LIMITED |
| X:XX   | $\pm 0.10$      | CHKD:      |                                       |
| X:XXX  | $\pm 0.05$      | DR: TOM    |                                       |
| ANGLES | $\pm 1^{\circ}$ | UNIT: mm   | PART NO.: LPJ16054ADNL                |
|        | SCALE: 2/1      | SHEET: 1/2 | REV: A      DWG NO: LP12072013        |

# Mechanical :

| REV. | ECN NO. | DESCRIPTION | DATE       | APPD |
|------|---------|-------------|------------|------|
| A    | REL     |             | 2012/07/20 |      |



SUGGESTED PCB LAYOUT(TOP VIEW)



## NOTES:

1. Designed to support application, such as SOHO (ADSL modems), LAN-on-Motherboard (LOM), hub and Switches.
2. Meets IEEE 802.3 specification
3. Connector Materials:  
 Housing: Thermoplastic UL94V-0  
 Contact/Shield: Copper alloy  
 Shield plating: Nickel  
 Contact plating: Gold 6 micro-inches min. In contact area.
4. Wave solder tip temperature: 265°C Max  
 Wave solder tip temperature time: 5 Sec Max



|        |            |            |  |
|--------|------------|------------|--|
| X:X    | ±0.20      | APPD:      | LINK-PP INT'L TECHNOLOGY CO., LIMITED                                |
| X:XX   | ±0.10      | CHKD:      |  |
| X:XXX  | ±0.05      | DR: TOM    | TITLE: RJ45 Connector With 10/100 Base-TX Integrated Magnetic TAB-UP |
| ANGLES | ±1°        | UNIT: mm   | PART NO.: LPJ16054ADNL   |
|        | SCALE: 2/1 | SHEET: 2/2 | REV: A DWG NO: LP12072013  |