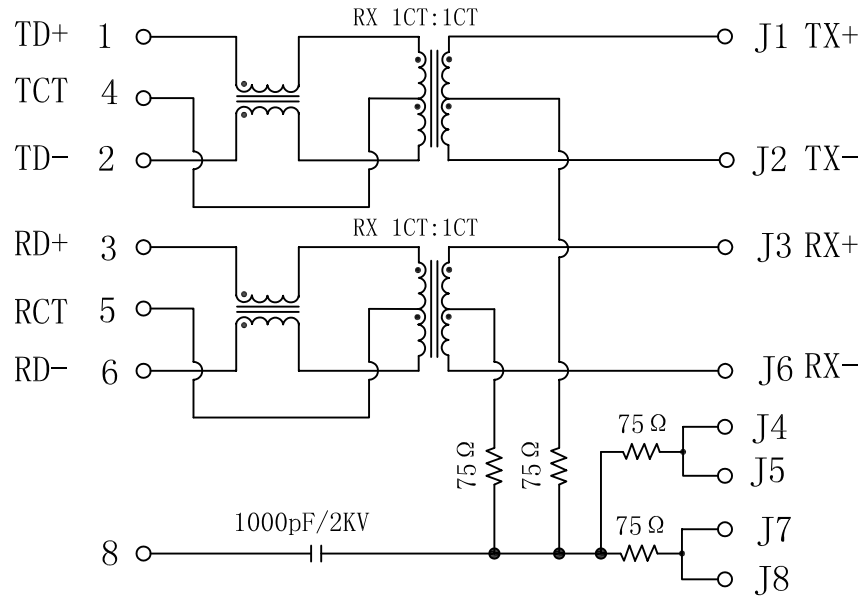


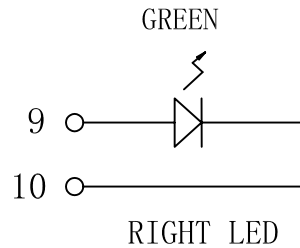
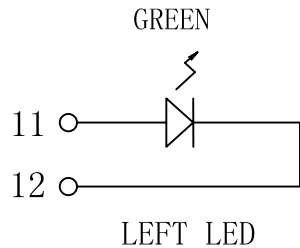
Schematic:

REV.	ECN NO.	DESCRIPTION	DATE	APPD
A	REL		2012/12/01	

PC BOARD CONNECTIONS



RJ45 CONNECTOR



Electrical Specifications @25°C

- Turns Ratio ($\pm 5\%$):
TX=1CT : 1CT RX=1CT : 1CT
- Inductance OCL: 350uH Min
@100KHz, 100mV, 8mA DC Bias.
- Insertion Loss:
0.3-100MHz: -1.15dB Max
- Return Loss (dB Min):
30MHz: -16 40MHz: -14
50MHz: -13.5 60MHz: -13
80MHz: -10
- Crosstalk (dB Min):
0.3-30MHz: -40 30-60MHz: -35
60-100MHz: -30
- CMR (dB Min):
1-30MHz: -30 30-60MHz: -25
60-125MHz: -20
- Isolation Voltage: 1500Vrms
- Operating Temperature: 0°C ~ 70°C

X:X	± 0.20	APPD:	LINK-PP INT'L TECHNOLOGY CO., LIMITED
X:XX	± 0.10	CHKD:	
X:XXX	± 0.05	DR: TOM	TITLE: RJ45 Connector With 10/100 Base-TX Integrated Magnetic
ANGLES	$\pm 1^\circ$	UNIT: mm	PART NO.: LPJ16160AFNL
	SCALE: 2/1	SHEET: 1/2	REV: A DWG NO: JP12120120

