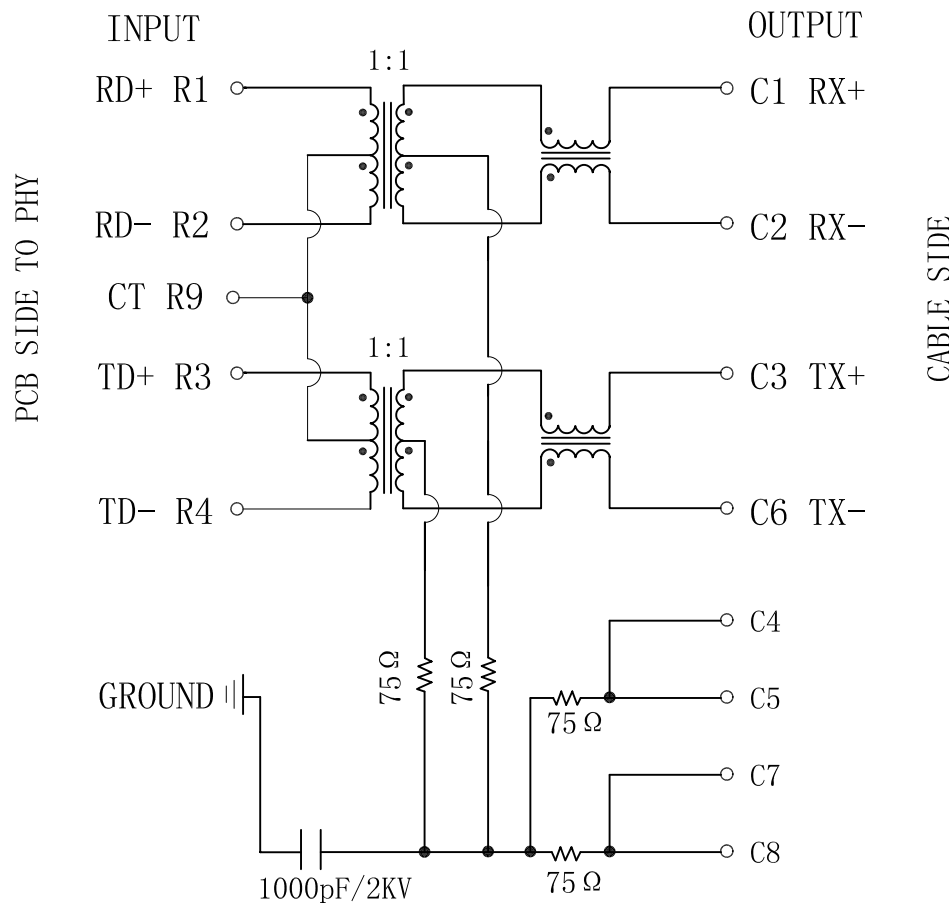


Schematic:

REV.	ECN NO.	DESCRIPTION	DATE	APPD
A	REL		06/02/2009	



Electrical Specifications:

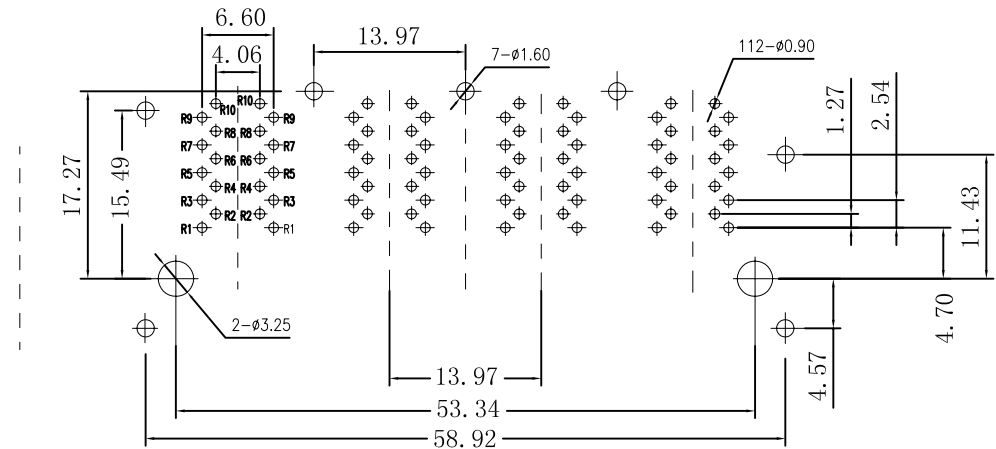
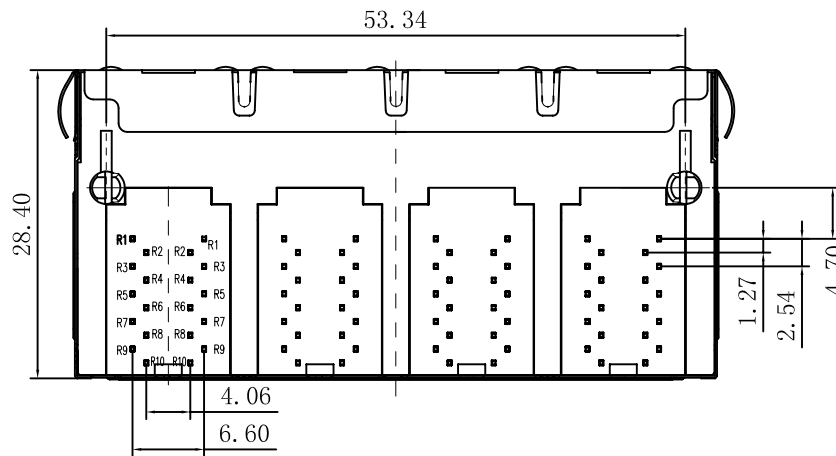
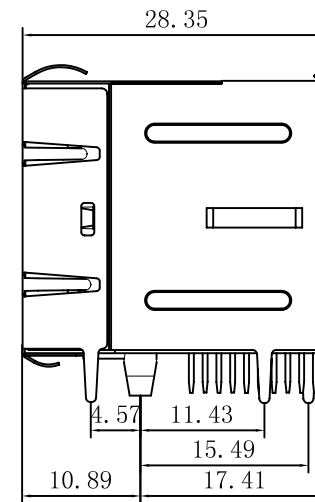
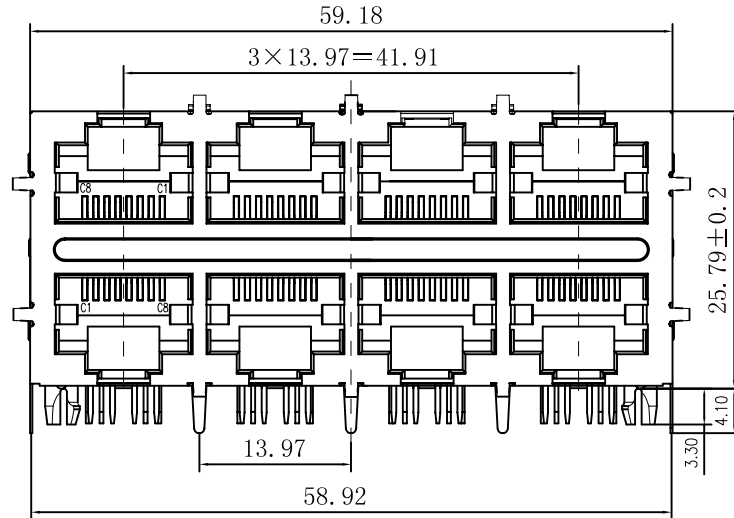
- Transmitter filter & Receiver filter
Type: Balance low pass 100Ω impedance
Insertion Loss:
1-100MHz: -1.0dB MAX
Return Loss:
1-30MHz: -18dB MIN. load 100Ω
30-60MHz: -16dB MIN. load 100Ω
60-80MHz: -12dB MIN. load 100Ω
- Turns Ratio: TX=1:1 RX=1:1
- Inductance @ 100KHz, 0.1V, 8mA DC BIAS
Input (R1-R2), Input (R3-R4): 350uH MIN
- Crosstalk: 1-100MHz: -30dB MIN
- CMR: 1-100MHz: -30dB MIN
- Hipot Test:
Input (R1-R2) to Output (C1-C2): 1500VAC, 60sec
Input (R3-R4) to Output (C3-C6): 1500VAC, 60sec
Output (C1-C2), Output (C3-C6) to Shell: 2500VAC, 5sec.
- Operating Temperature: 0°C ~ 70°C.



X:X	±0.20	APPD:	LINK-PP INT'L TECHNOLOGY CO., LIMITED	
X:XX	±0.10	CHKD:	Title: RJ45 . Transformer. 10/100 Base-T W/LED. 2×4	
X:XXX	±0.05	DR: TOM	PART NO.: LPJ47408CNL	
ANGLES	±1°	UNIT: mm		
	SCALE: 2/1	SHEET: 1/2	REV: A	DWG NO.: LP09020609

Mechanical :

REV.	ECN NO.	DESCRIPTION	DATE	APPD
A	REL		06/02/2009	



SUGGESTED PCB LAYOUT (TOP VIEW)

- NOTES: 1. Designed to support application, such as SOHO (ADSL modems), LAN-on-Motherboard (LOM), hub and Switches.
 2. Meets IEEE 802.3 specification
 3. Connector Materials:
 Housing: Thermoplastic UL94V-0
 Contact/Shield: Copper alloy
 Shield plating: Nickel
 Contact plating: Gold 6 micro-inches min. In contact area.
 4. Wave solder tip temperature: 265°C Max
 Wave solder tip temperature time: 5 Sec Max
 5. UL Certification: File Number E321120



X:X	±0.20	APPD:	LINK-PP INT'L TECHNOLOGY CO., LIMITED
X:XX	±0.10	CHKD:	
X:XXX	±0.05	DR: TOM	Title: RJ45 .Transformer.10/100 Base-T W/LED.2x4
ANGLES	±1°	UNIT: mm	PART NO. : LPJ47408CNL
	SCALE: 2/1	SHEET: 2/2	REV: A
			DWG NO. : LP09020609