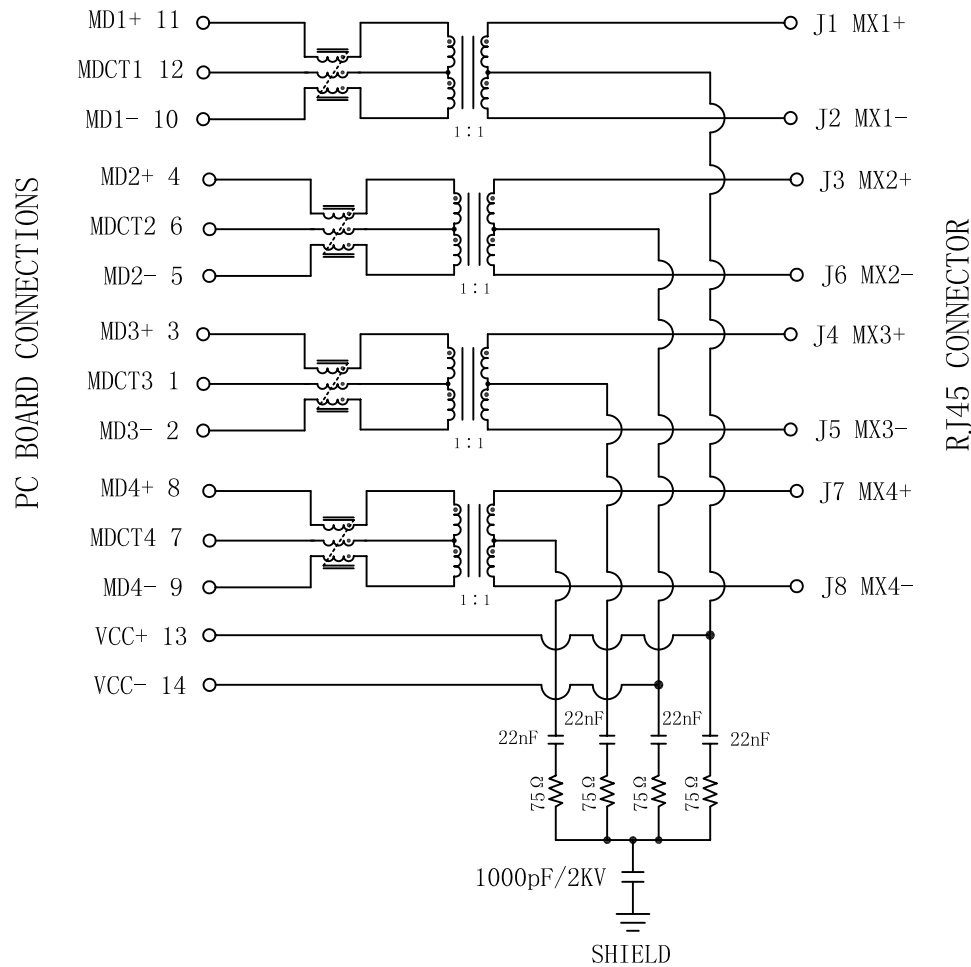


# Schematic:

REV.	ECN NO.	DESCRIPTION	DATE	APPD
A	REL		2010/06/11	

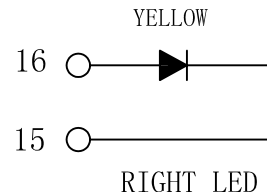
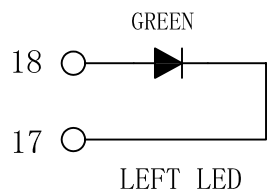


## Electrical Specifications @25°C

- 350uH min OCL with 8mA bias current.
- Turns Ratio ( $\pm 2\%$ ):  
TX=1CT:1     RX=1CT:1
- Insertion Loss:  
1-100MHz: -1.0dB Max
- Return Loss ( $100\Omega \pm 15\Omega$ ):  
30MHz: -16dB Min  
60-80MHz: -12dB Min  
100MHz: -10dB Min
- Crosstalk:  
30MHz: -44dB Min  
60MHz: -37dB Min  
100MHz: -33dB Min
- Common Mode Rejection:  
1-50MHz: -27dB Min  
50-130MHz: -20dB Min
- HI-POT: 1500Vrms Min @60Hz
- Operating Temperature: 0°C ~ 70°C.

PC BOARD CONNECTIONS

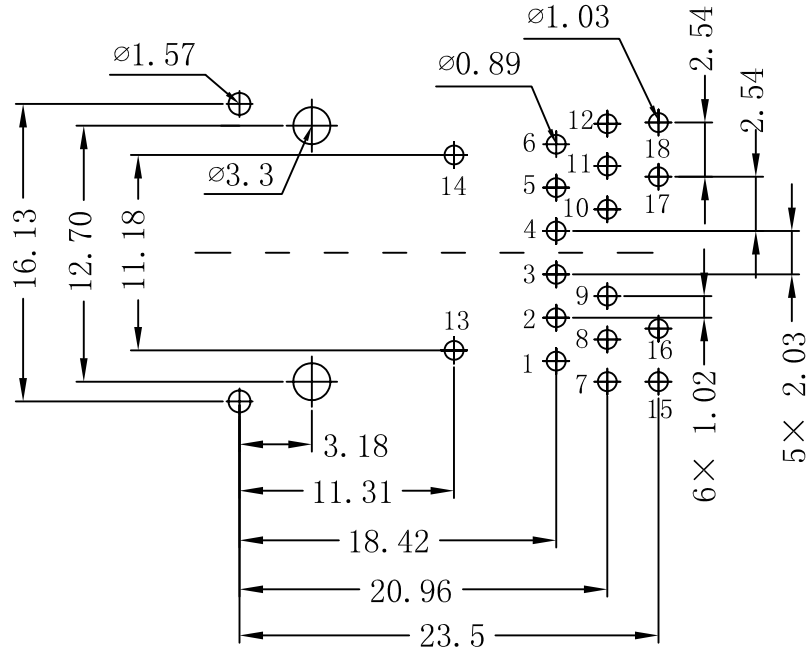
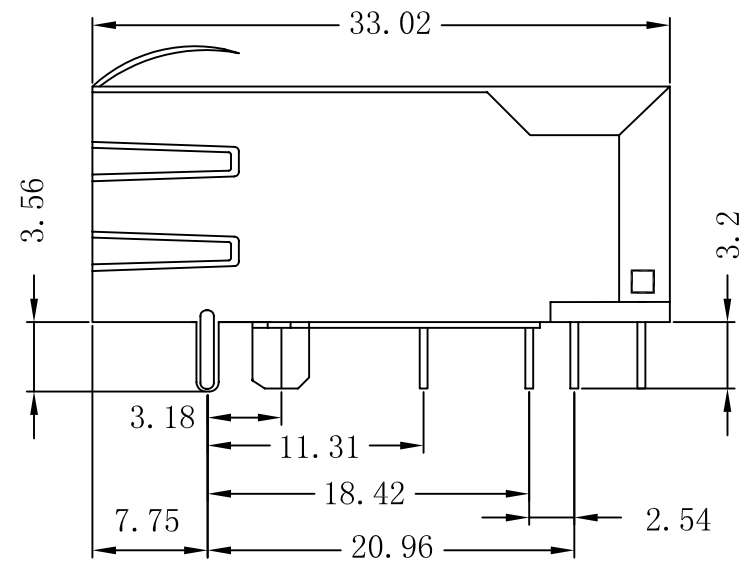
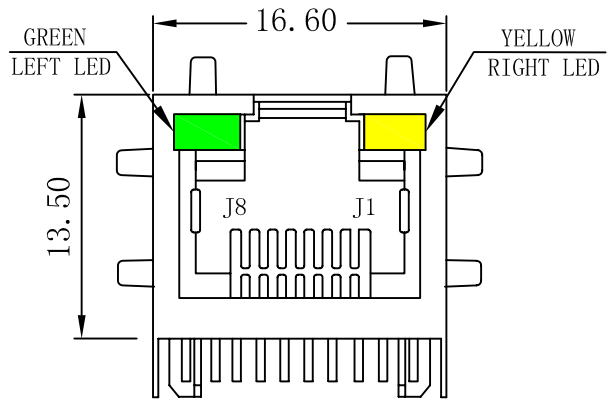
RJ45 CONNECTOR



X:X	$\pm 0.20$	APPD:	LINK-PP INT'L TECHNOLOGY CO., LIMITED
X:XX	$\pm 0.10$	CHKD:	
X:XXX	$\pm 0.05$	DR: TOM	
ANGLES	$\pm 1^\circ$	UNIT: mm	TITLE: RJ45 Connector with 1000 Base-TX Integrated Magnetic & PoE
			PART NO.: LPJK1045AHNL
	SCALE: 2/1	SHEET: 1/2	REV: A     DWG NO.: LP10061101

# Mechanical :

REV.	ECN NO.	DESCRIPTION	DATE	APPD
A	REL		2010/04/11	



SUGGESTED PCB LAYOUT (TOP VIEW)



NOTES:

1. Designed to support application, such as SOHO (ADSL modems), LAN-on-Motherboard (LOM), hub and Switches.
2. Meets IEEE 802.3 specification
3. Connector Materials:  
 Housing: Thermoplastic UL94V-0  
 Contact/Shield: Copper alloy  
 Shield plating: Nickel  
 Contact plating: Gold 6 micro-inches min. In contact area.
4. Wave solder tip temperature: 265°C Max  
 Wave solder tip temperature time: 5 Sec Max

X:X	±0.20	APPD:	LINK-PP INT'L TECHNOLOGY CO., LIMITED
X:XX	±0.10	CHKD:	
X:XXX	±0.05	DR: TOM	Title: RJ45 Connector with 1000 Base-TX Integrated Magnetic & PoE
ANGLES	±1°	UNIT: mm	PART NO.: LPJK1045AHNL
	SCALE: 2/1	SHEET: 2/2	REV: A
			DWG NO.: LP10061101