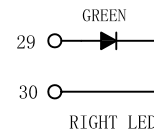
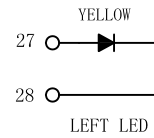
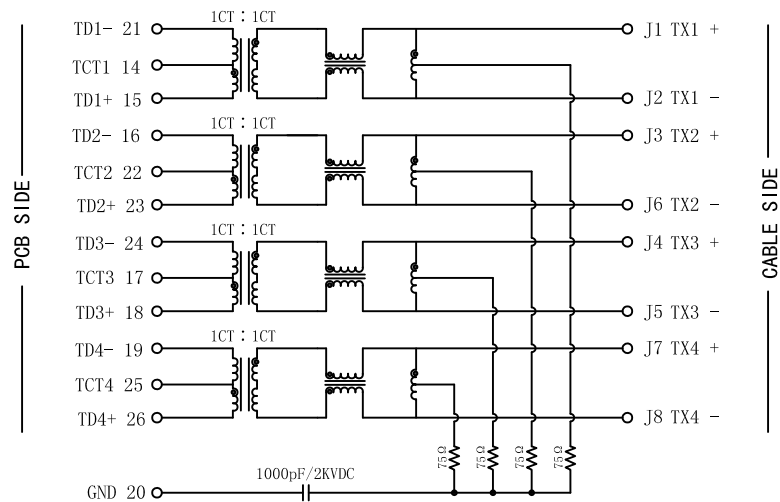


Schematic:

REV.	ECN NO.	DESCRIPTION	DATE	APPD
A	REL		2012/02/18	

SCHEMATIC FOR LOWER PORT:

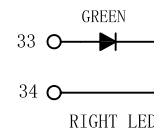
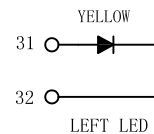
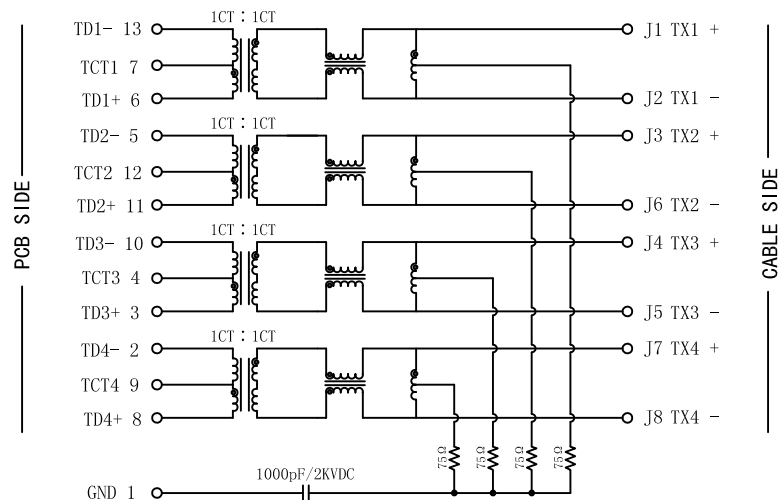


Electrical Specifications @25°C

- OCL (@100KHz, 100mV, 8mA DC Bias):
350uH Min
- Turns Ratio: 1CT : 1CT ±2%
- Insertion Loss:
0.1~100MHz: -1.1dB Max
- Return Loss (dB Min):
1~30MHz: -18
30~60MHz: -16
60~80MHz: -14
80~100MHz: -12
- Crosstalk (dB Typ):
1~60MHz: -35
60~100MHz: -25
- Common To Common Mode Rejection:
0.1~100MHz: -25dB Typ
- Hipot: 1500Vrms
- Operating Temperature: 0°C ~ 70°C.



SCHEMATIC FOR UPPER PORT:

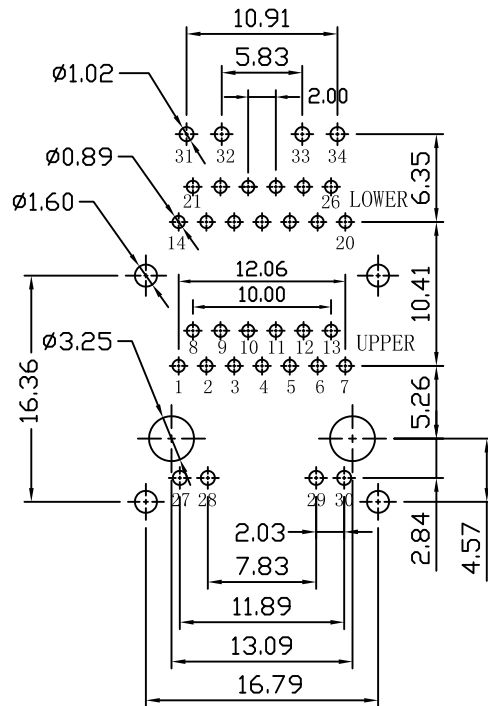
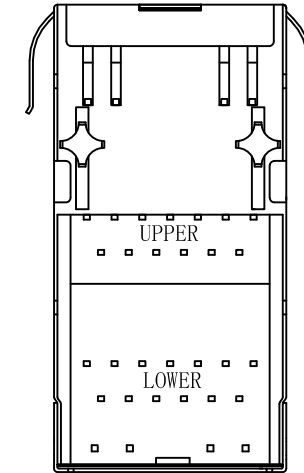
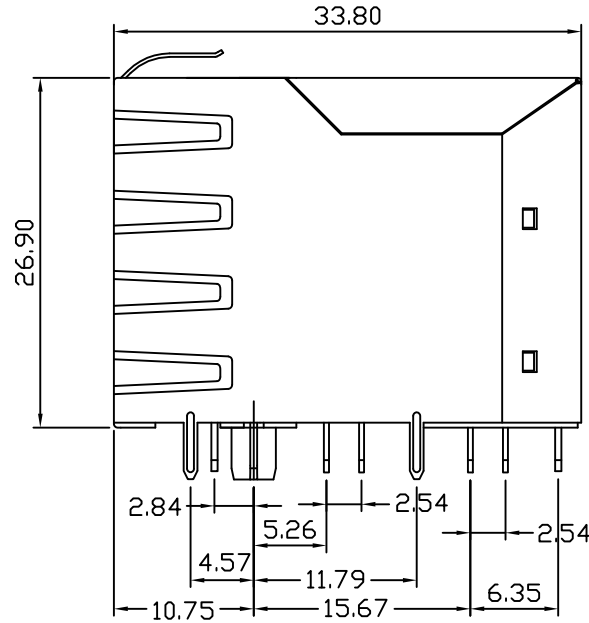
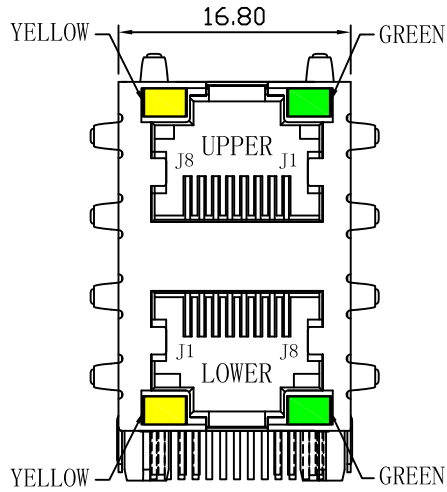


Emitting Color	λ p(nm)	VF@IF=20mA	IR @VR=5V
Green	565	1.8-2.6V	10 μ A max
Yellow	585	1.8-2.6V	10 μ A max

X:X ±0.30	APPD:	LINK-PP INT'L TECHNOLOGY CO., LIMITED	
X:XX ±0.25	CHKD:	TITLE: RJ45 Connector With 1000 Base-T Integrated Magnetics	
X:XXX ±0.05	DR: TOM	PART NO.: LPJG17102ADNL	
ANGLES ±1°	UNIT: mm	DWG NO.: LP12021830	
	SCALE: 2/1	SHEET: 1/2	REV: A

Mechanical:

REV.	ECN NO.	DESCRIPTION	DATE	APPD
A	REL		2012/02/18	



PIN-OUT INFORMATION
(COMPONENT SIDE VIEW)

NOTES:

1. Designed to support application, such as SOHO (ADSL modems), LAN-on-Motherboard (LOM), hub and Switches.
2. Meets IEEE 802.3 specification
3. Connector Materials:
Housing: Thermoplastic UL94V-0
Contact/Shield: Copper alloy
Shield plating: Nickel
Contact plating: Gold 6 micro-inches min. In contact area.
4. Wave solder tip temperature: 265°C Max, 5 Sec Max.



X:X	± 0.30	APPD:	LINK-PP INT'L TECHNOLOGY CO., LIMITED	
X:XX	± 0.25	CHKD:	TITLE: RJ45 Connector With 1000 Base-T Integrated Magnetics	
X:XXX	± 0.05	DR: TOM		
ANGLES	$\pm 1^\circ$	UNIT: mm	PART NO.: LPJG17102ADNL	
	SCALE: 2/1	SHEET: 2/2	REV: A	DWG NO.: LP12021830