

Schematic:

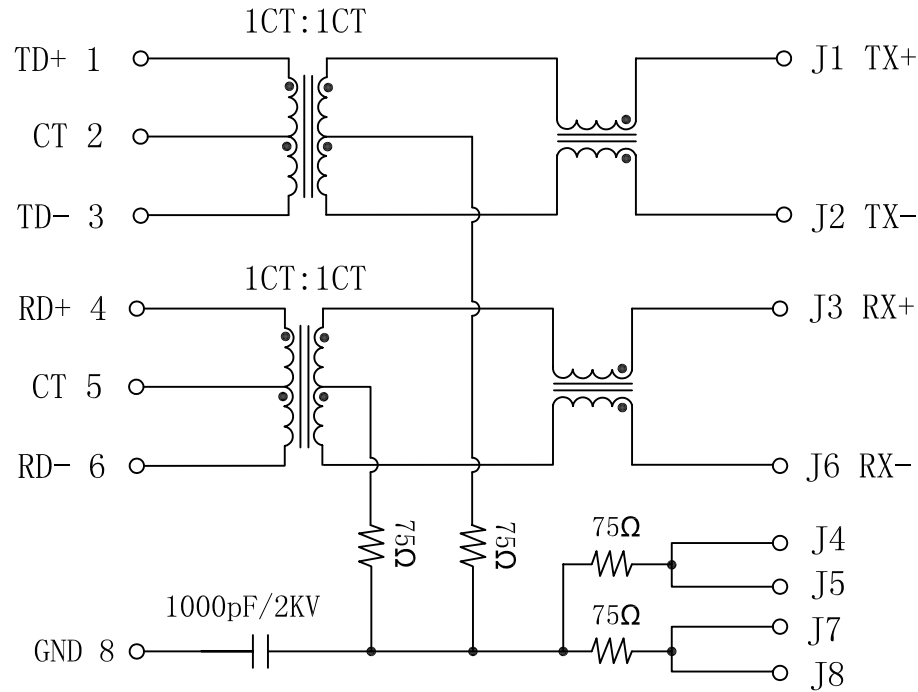
REV.	ECN NO.	DESCRIPTION	DATE	APPD
A	REL		2010/12/21	

Electrical Specification:

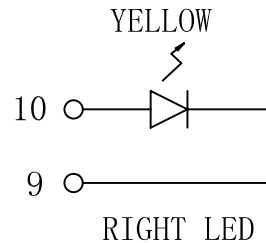
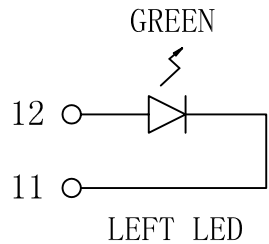
TEST NOTES (25±5°C)

- TR: (100KHZ, 100mV);
TX=1CT:1CT ±3% RX=1CT:1CT ±3%
- LX: (100KHZ, 100mV, 8mA, DC Bias)
PINS: (P1, P3), (P4, P6)=350uH MIN
- HIPOT:
PINS (P1, P2, P3) TO (J1, J2)=1500V
PINS (P4, P5, P6) TO (J3, J6)=1500V
- INSERTION LOSS:
-1.0dB MAX @ 1.0MHz TO 65MHz
- RETURN LOSS:
-20dB MIN @ 1MHz TO 10MHz
-16dB MIN @ 10MHz TO 30MHz
-12dB MIN @ 30MHz TO 60MHz
-10dB MIN @ 60MHz TO 100MHz
- CROSS TALK:
-40dB MIN @ 1MHz TO 30MHz
-35dB MIN @ 30MHz TO 60MHz
-30dB MIN @ 60MHz TO 100MHz
- COMMON TO COMMON MODE REJECTION:
-30dB MIN @1MHz TO 50MHz
-20dB MIN @50MHz TO 150MHz
- Operating Temperature: 0°C~70°C.

PC BOARD CONNECTIONS



RJ45 CONNECTOR



X:X ±0.25	APPD:	LINK-PP INT'L TECHNOLOGY CO., LIMITED
X:XX ±0.20	CHKD:	
X:XXX ±0.05	DR: TOM	TITLE: RJ45 Connector with 10/100 Base-T Integrated Magnetics
ANGLES ±1°	UNIT: mm	PART NO.: LPJ1014AHNL
	SCALE: 2/1	SHEET: 1/2
	REV: A	DWG NO.: LP10122110

