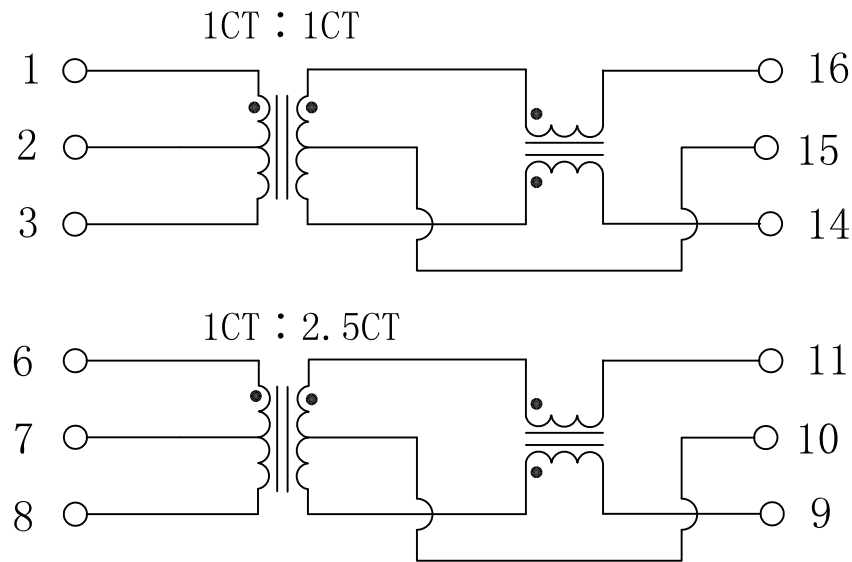


# Schematic:

REV.	ECN NO.	DESCRIPTION	DATE	APPD
A	REL		23/12/2007	



## Electrical Specification @25°C

### 1. Turns Ratio:

Transmit=1CT:2.5CT  $\pm 5\%$

Receivce=1CT:1CT  $\pm 5\%$

### 2. Sine Wave Inductance OCL:

@200uH Min 20mVrms, 100KHz

### 3. Leakage Inductance LL:

@0.5uH Max 20mVrms, 100KHz

### 4. Interwinding Capacitance Cww:

@15pF Max 20mVrms, 100KHz

### 5. D. C. R: @0.4Ω Max

### 6. Primary Pins: @6-8, 1-3

### 7. Isolation Hipot: @2000Vrms

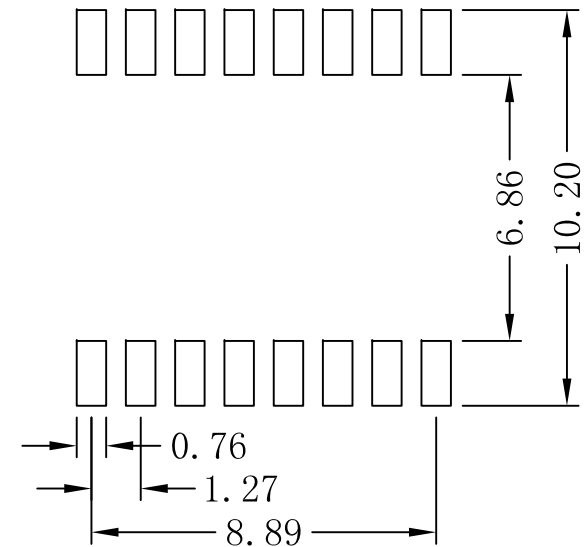
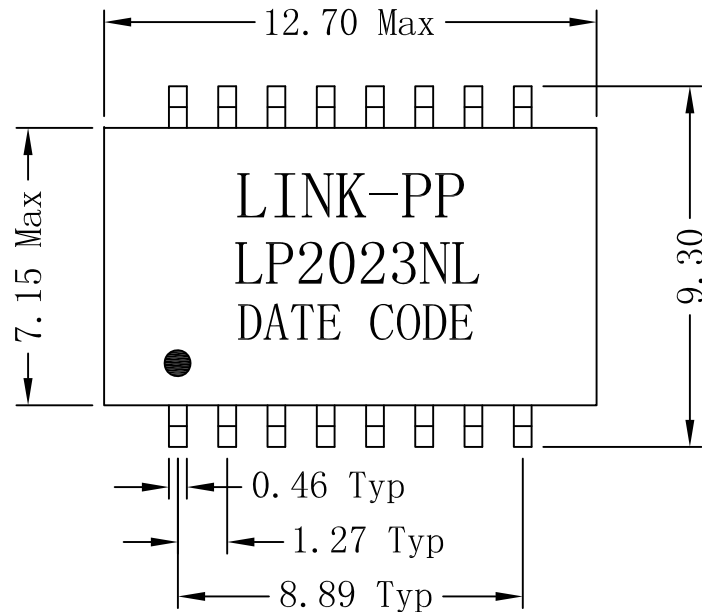
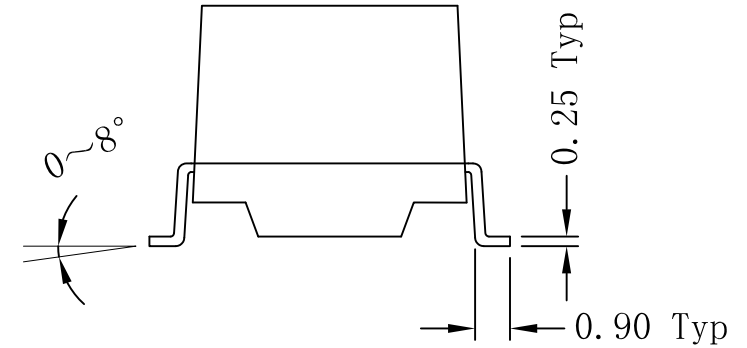
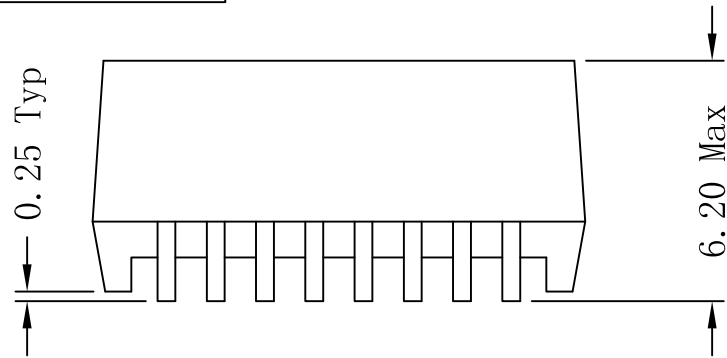
### 8. Operating Temperature: 0°C ~ 70°C.



X:X	APPD:	LINK-PP INT'L TECHNOLOGY CO., LIMITED		
X:XX	CHKD:	TITLE: 10 Base-T ISOLATION TRANSFORMERS		
X:XXX	DR: TOM	PART NO. : LP2023NL		
ANGLES $\pm 1^\circ$	UNIT: mm			
	SCALE: 2/1	SHEET: 1/2	REV: A	DWG NO. :

# Mechanical:

REV.	ECN NO.	DESCRIPTION	DATE	APPD
A	REL		23/12/2007	



SUGGESTED PAD LAYOUT

## NOTES:

1. For adapter cards, maus, hubs, and motherboard. applications
2. Designed to meet or exceed IEEE802.3, 10Base-T specifications
3. Available with common mode chokes for EMI suppression
4. SMT, THT, DIP etc package
5. RoHS "NL" peak solder rating  $260^{\circ}\text{C} \pm 5^{\circ}\text{C}$ .
6. OCL, Cww and LL are measured at 20 mVrms, 100KHz

Dimensions: mm

Unless otherwise specified, all tolerances are  $\pm 0.25$

X:X	APPD:	LINK-PP INT'L TECHNOLOGY CO., LIMITED		
X:XX	CHKD:	TITLE: 10 Base-T ISOLATION TRANSFORMERS		
X:XXX	DR: TOM	PART NO.: LP2023NL		
ANGLES $\pm 1^{\circ}$	UNIT: mm			
	SCALE: 2/1	SHEET: 2/2	REV: A	DWG NO.: