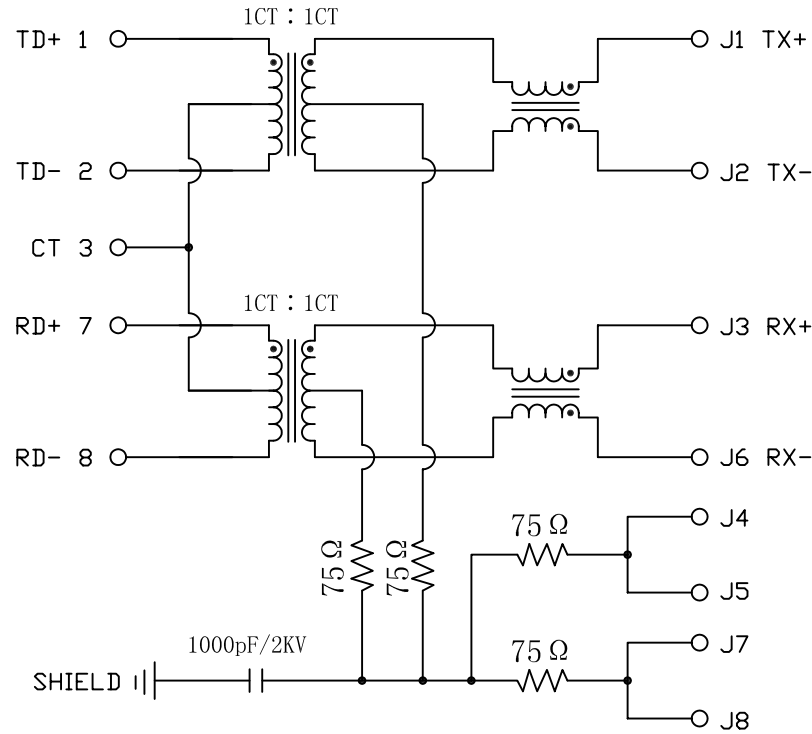


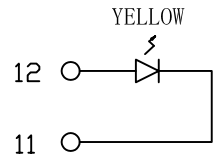
Schematic:

REV.	ECN NO.	DESCRIPTION	DATE	APPD
A	REL		2011/08/12	

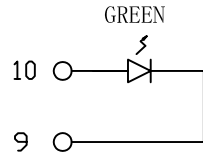
PC BOARD CONNECTIONS



RJ45 CONNECTOR



LEFT LED



RIGHT LED



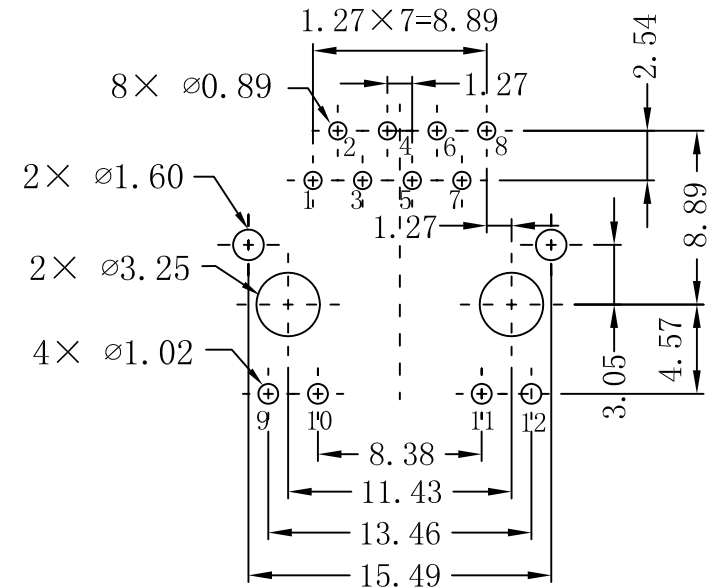
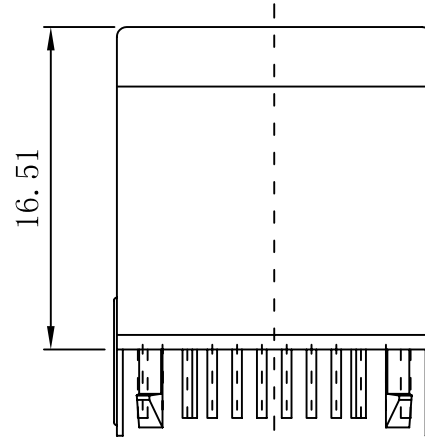
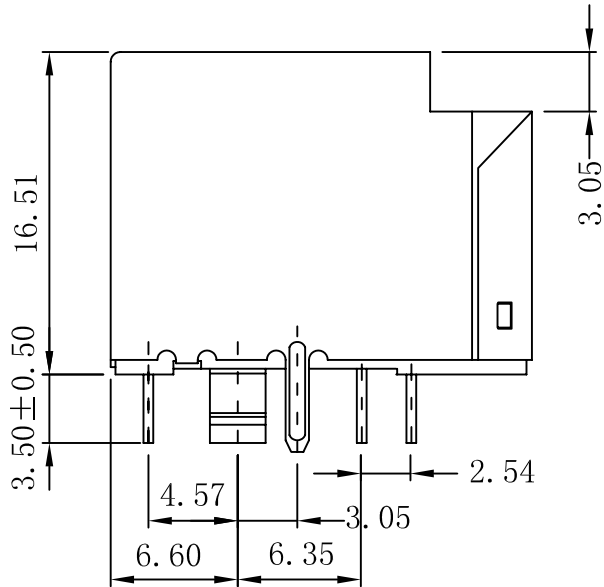
Electrical Specifications @25°C

- Impedance: 100 ohms
- OCL: 350uH Min
@100KHz, 0.1V, 8mADC BIAS
- Turns Ratio:
TX = 1CT : 1CT RX = 1CT : 1CT
- Insertion Loss:
1-100MHz: -1.0dB Max
- Return Loss (dB Min):
1-30MHz: -18 40MHz: -14
50MHz: -12 60-80MHz: -10
- Crosstalk (dB Min):
20MHz: -47 40MHz: -40
60MHz: -37 80MHz: -35
100MHz: -33
- Differential to Common Mode Rejection:
1-100MHz: -33dB Min
- Common Mode Rejection Ratio:
1-100MHz: -30dB Min
- Isolation Voltage: 1500Vrms
- Operating Temperature: -40°C ~ +85°C

X:X	±0.20	APPD:	LINK-PP INT'L TECHNOLOGY CO., LIMITED	
X:XX	±0.10	CHKD:	Title: Vertical RJ45 Connector With 10/100 Magnetic	
X:XXX	±0.05	DR: TOM	PART NO.: LPJD5013BGNL	
ANGLES	±1°	UNIT: mm		
	SCALE: 2/1	SHEET: 1/2	REV: A	DWG NO.: LP1109070202

Mechanical :

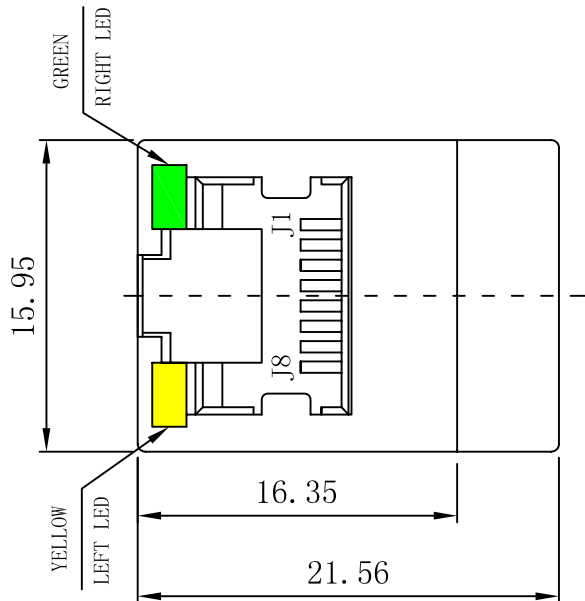
REV.	ECN NO.	DESCRIPTION	DATE	APPD
A	REL		2011/08/12	



SUGGESTED PCB LAYOUT (TOP VIEW)

NOTES:

1. Designed to support application, such as SOHO (ADSL modems), LAN-on-Motherboard (LOM), hub and Switches.
2. Meets IEEE 802.3 specification
3. Connector Materials:
 Housing: Thermoplastic UL94V-0
 Contact/Shield: Copper alloy
 Shield plating: Nickel
 Contact plating: Gold 6 micro-inches min. In contact area.
4. Wave solder tip temperature: 260°C
 Wave solder tip temperature time: 5 Sec Max



X:X	±0.20	APPD:	LINK-PP INT'L TECHNOLOGY CO., LIMITED
X:XX	±0.10	CHKD:	
X:XXX	±0.05	DR: TOM	Title: Vertical RJ45 Connector With 10/100 Magnetic
ANGLES	±1°	UNIT: mm	PART NO.: LPJD5013BGNL
	SCALE: 2/1	SHEET: 2/2	REV: A DWG NO.: LP1109070202