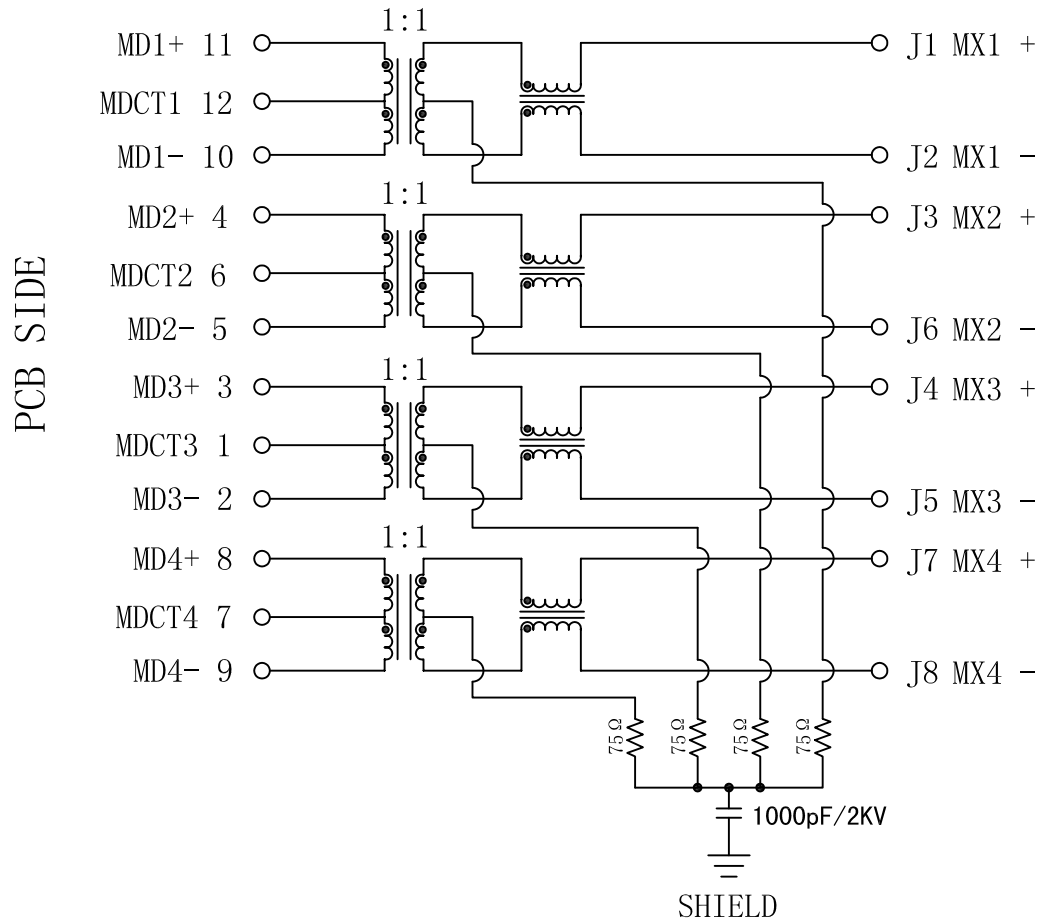


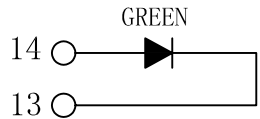
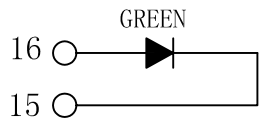
Schematic:

REV.	ECN NO.	DESCRIPTION	DATE	APPD
A	REL		07/01/2010	



Electrical Specifications @25°C

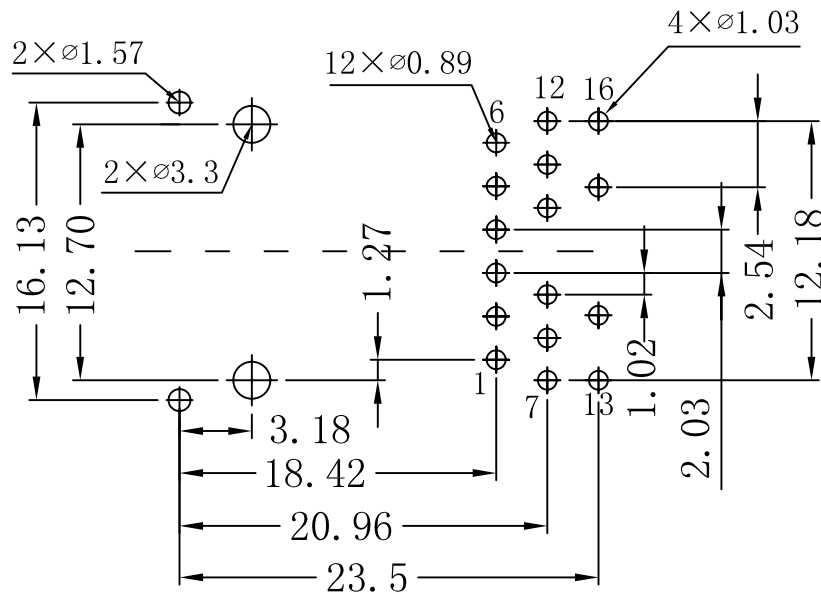
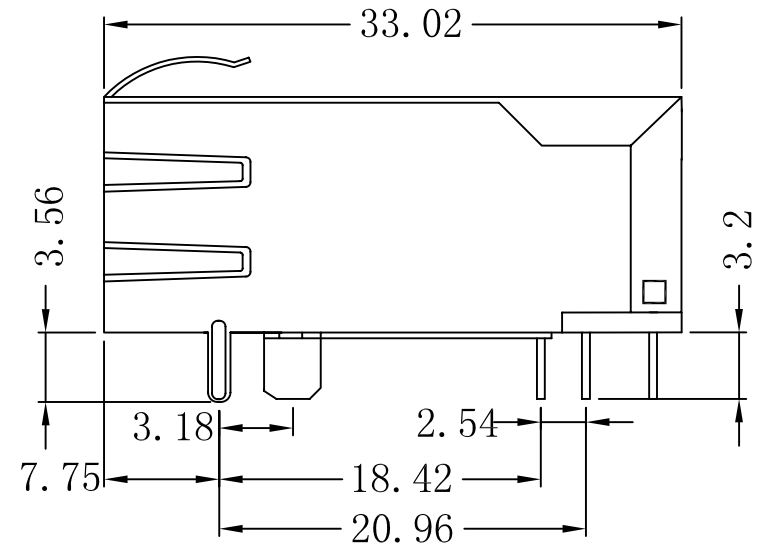
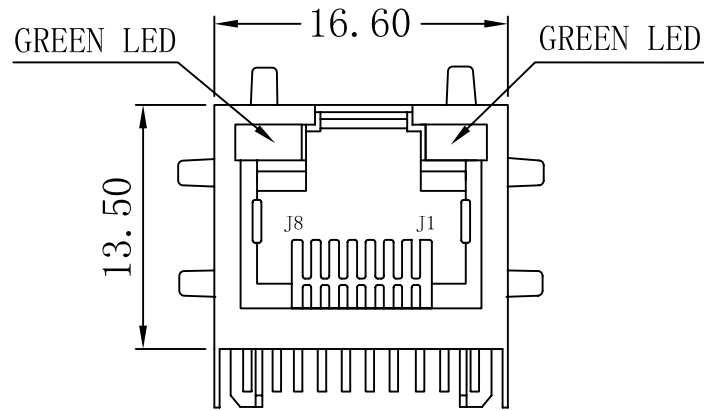
1. OCL (@100KHz, 100mV, 8mA DC BIAS):
350uH min
2. Turns Ratio ($\pm 2\%$):
TX=1CT:1CT RX=1CT:1CT
3. Insertion Loss:
1~100MHz: -1.0dB max
4. Return Loss (dB min):
1~10MHz: -20 ; 30MHz: -16
60~80MHz: -12 ; 80~100MHz: -10
5. Crosstalk (dB min):
1~10MHz: -40 ; 32~65MHz: -35
65~100MHz: -30
6. CMR (dB min):
1~125MHz: -30 ; 125~500MHz: -20
7. Hi-Pot: 1500Vrms @60Hz
8. Operating Temperature: 0~70°C.



X:X	± 0.20	APPD:	LINK-PP INT'L TECHNOLOGY CO., LIMITED
X:XX	± 0.10	CHKD:	
X:XXX	± 0.05	DR: TOM	
ANGLES	$\pm 1^\circ$	UNIT: mm	Title: RJ45 Connector with 1000 Base-TX Integrated Magnetic
			PART NO.: LPJK0072AWNL
	SCALE: 2/1	SHEET: 1/2	REV: A
			DWG NO.: LP10010702

Mechanical:

REV.	ECN NO.	DESCRIPTION	DATE	APPD
A	REL		07/01/2010	



SUGGESTED PCB LAYOUT (TOP VIEW)

NOTES:

1. Designed to support application, such as SOHO (ADSL modems), LAN-on-Motherboard (LOM), hub and Switches.
2. Meets IEEE 802.3 specification
3. Connector Materials:
Housing: Thermoplastic UL94V-0
Contact/Shield: Copper alloy
Shield plating: Nickel
Contact plating: Gold 6 micro-inches min. In contact area.
4. Wave solder tip temperature: 265°C Max
Wave solder tip temperature time: 5 Sec Max



X:X	±0.20	APPD:	LINK-PP INT'L TECHNOLOGY CO., LIMITED
X:XX	±0.10	CHKD:	
X:XXX	±0.05	DR: TOM	Title: RJ45 Connector with 1000 Base-TX Integrated Magnetic
ANGLES	±1°	UNIT: mm	PART NO.: LPJK0072AWNL
	SCALE: 2/1	SHEET: 2/2	REV: A DWG NO.: LP10010702