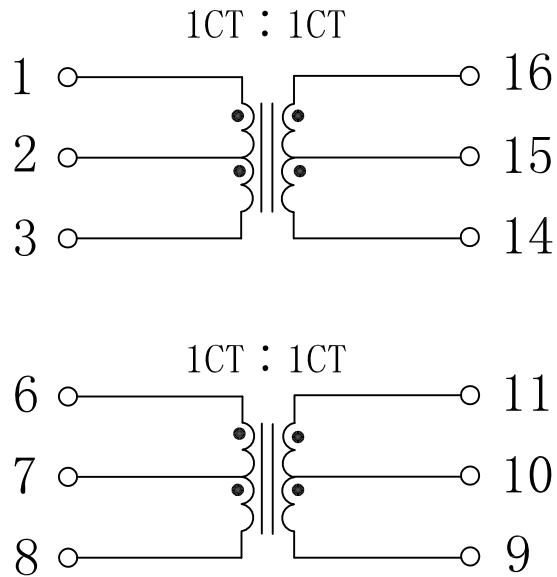


Schematic:

REV.	ECN NO.	DESCRIPTION	DATE	APPD
A	REL		19/01/2010	



Electrical Specifications @25°C

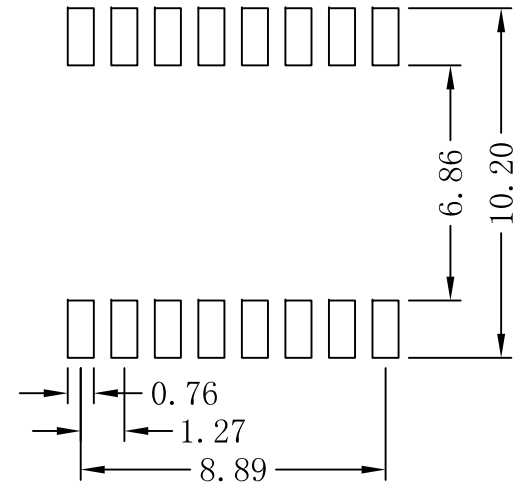
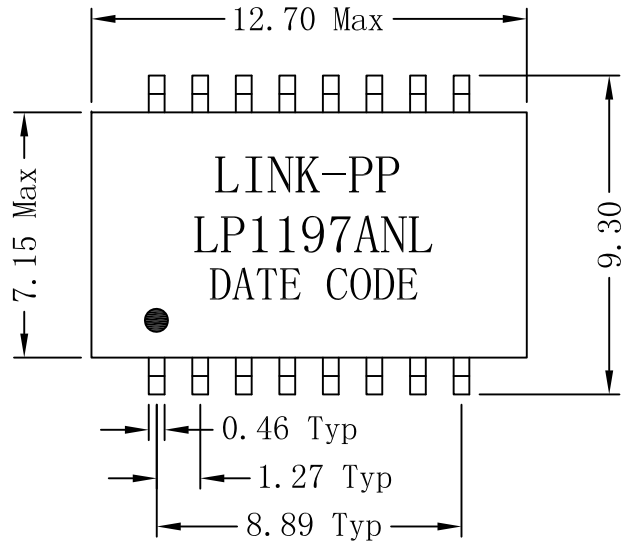
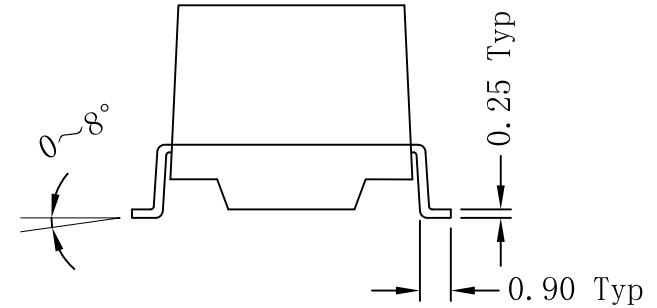
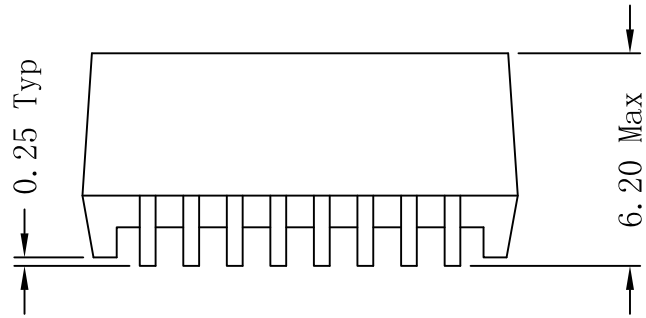
- Turns Ratio:
TX=1CT:1CT RX=1CT:1CT
- OCL: 350uH Min
@100KHz, 100mV, 8mADC Bias
- Insertion Loss:
1-100MHz:-1.2dB Max
- Return Loss:
1-30MHz:-16dB Min
40MHz:-14dB Min
50MHz:-13dB Min
60-80MHz:-12dB Min
- Crosstalk:
30MHz:-45dB Min
60MHz:-40dB Min
100MHz:-35dB Min
- Differential to Common Mode Rejection:
30MHz:-43dB Min
60MHz:-37dB Min
100MHz:-33dB Min
- Isolation Voltage: 1500Vrms
- Operating Temperature: -40°C ~ +85°C.



X:X	APPD:	LINK-PP INT'L TECHNOLOGY CO., LIMITED		
X:XX	CHKD:	TITLE: 10/100 Base-TX VoIP Magnetics Modules For PoE Application		
X:XXX	DR: TOM	PART NO.: LP1197ANL		
ANGLES ±1°	UNIT: mm			
	SCALE: 2/1	SHEET: 1/2	REV: A	DWG NO.: LP10011915

Mechanical:

REV.	ECN NO.	DESCRIPTION	DATE	APPD
A	REL		19/01/2010	



SUGGESTED PAD LAYOUT

NOTES:

1. Designed to support application, such as SOHO (ADSL modems), LAN-on-Motherboard (LOM), hub and Switches.
2. With various Turns Ratios.
3. RoHS "NL" peak solder rating 250°C.



Dimensions: mm

Unless otherwise specified, all tolerances are ± 0.25

X:X	APPD:	LINK-PP INT'L TECHNOLOGY CO., LIMITED		
X:XX	CHKD:	TITLE: 10/100 Base-TX VoIP Magnetics Modules For PoE Application		
X:XXX	DR: TOM	PART NO.: LP1197ANL		
ANGLES $\pm 1^\circ$	UNIT: mm			
	SCALE: 2/1	SHEET: 2/2	REV: A	DWG NO.: LP10011915