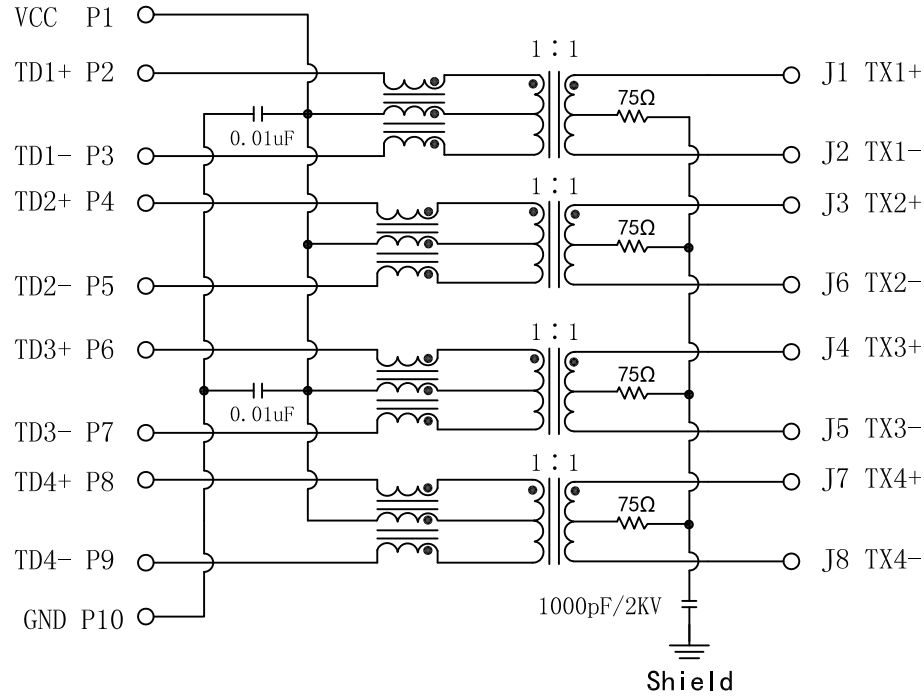


Schematic:

REV.	ECN NO.	DESCRIPTION	DATE	APPD
A	REL		2014/01/08	

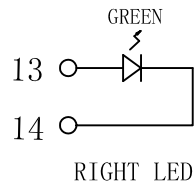
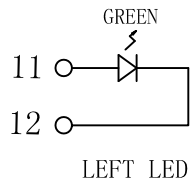
PC BOARD CONNECTIONS



RJ45 CONNECTOR

ELECTRICAL SPECIFICATIONS @25°C

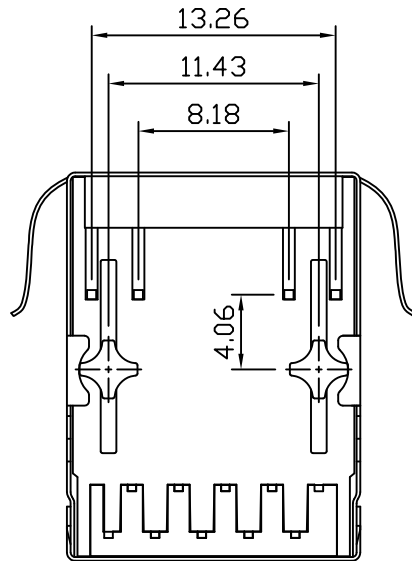
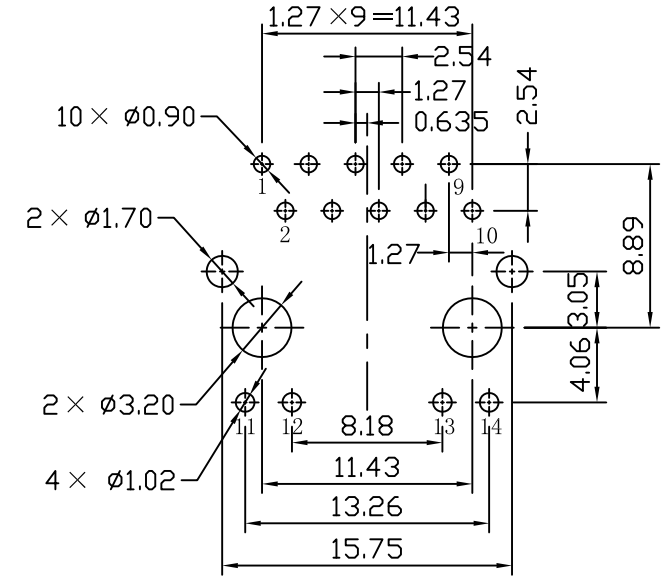
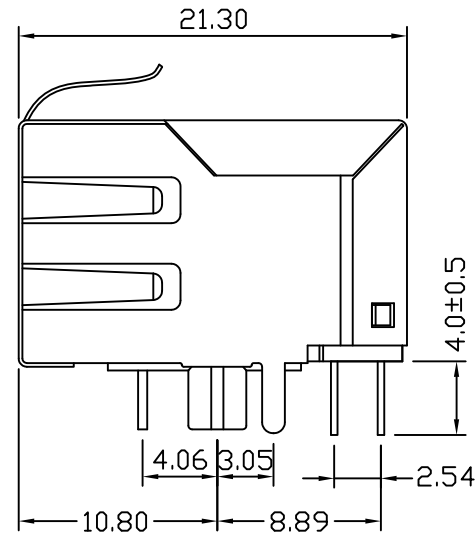
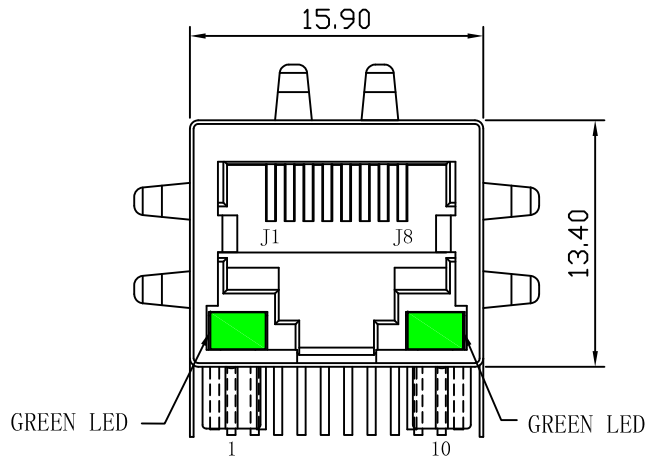
- Turn Ratio( $\pm 3\%$ ): 1CT:1CT
- Inductance OCL: 350uH MIN @100KHz/0.1V, 8mA DC Bias
- Insertion Loss: -1.1dB MAX @1-100MHz
- Return Loss: -18dB MIN @ 1-40MHz, -14dB MIN @ 60MHz, -12dB MIN @ 80MHz, -10dB MIN @ 100MHz
- Cross talk: -35dB TYP @ 1-100MHz
- Common Mode Rejection: -38dB TYP @ 1-30MHz, -35dB TYP @ 30-60MHz, -30dB TYP @ 60-100MHz
- CMRR: -30dB Min @1-100MHz
- Hipot Test: 1500Vrms MIN
- Operating Temperature Range: 0°C TO 70°C



X:X	$\pm 0.30$	APPD:	LINK-PP INT'L TECHNOLOGY CO., LIMITED	
X:XX	$\pm 0.20$	CHKD:		
X:XXX	$\pm 0.05$	DR: TOM	TITLE: RJ45 Connector with 1000 Base-T Integrated Magnetics	
ANGLES	$\pm 1^\circ$	UNIT: mm	PART NO. : LPJG0873GFNL	
	SCALE: 2/1	SHEET: 1/2	REV: A	DWG NO. : LP14010801

# Mechanical:

REV.	ECN NO.	DESCRIPTION	DATE	APPD
A	REL		2014/01/08	



## NOTES:

1. Designed to support application, such as SOHO (ADSL modems), LAN-on-Motherboard (LOM), hub and Switches.
2. Meets IEEE 802.3 specification
3. Connector Materials:  
 Housing: Thermoplastic UL94V-0  
 Contact/Shield: Copper alloy  
 Shield plating: Nickel  
 Contact plating: Gold 6 micro-inches min. In contact area.
4. Wave solder tip temperature: 265°C Max  
 Wave solder tip temperature time: 5 Sec Max

X:X	±0.30	APPD:	LINK-PP INT'L TECHNOLOGY CO., LIMITED	
X:XX	±0.20	CHKD:	TITLE: RJ45 Connector with 1000 Base-T Integrated Magnetics	
X:XXX	±0.05	DR: TOM	PART NO.: LPJG0873GFNL	
ANGLES	±1°	UNIT: mm	DWG NO.: LP14010801	
	SCALE: 2/1	SHEET: 2/2	REV: A	