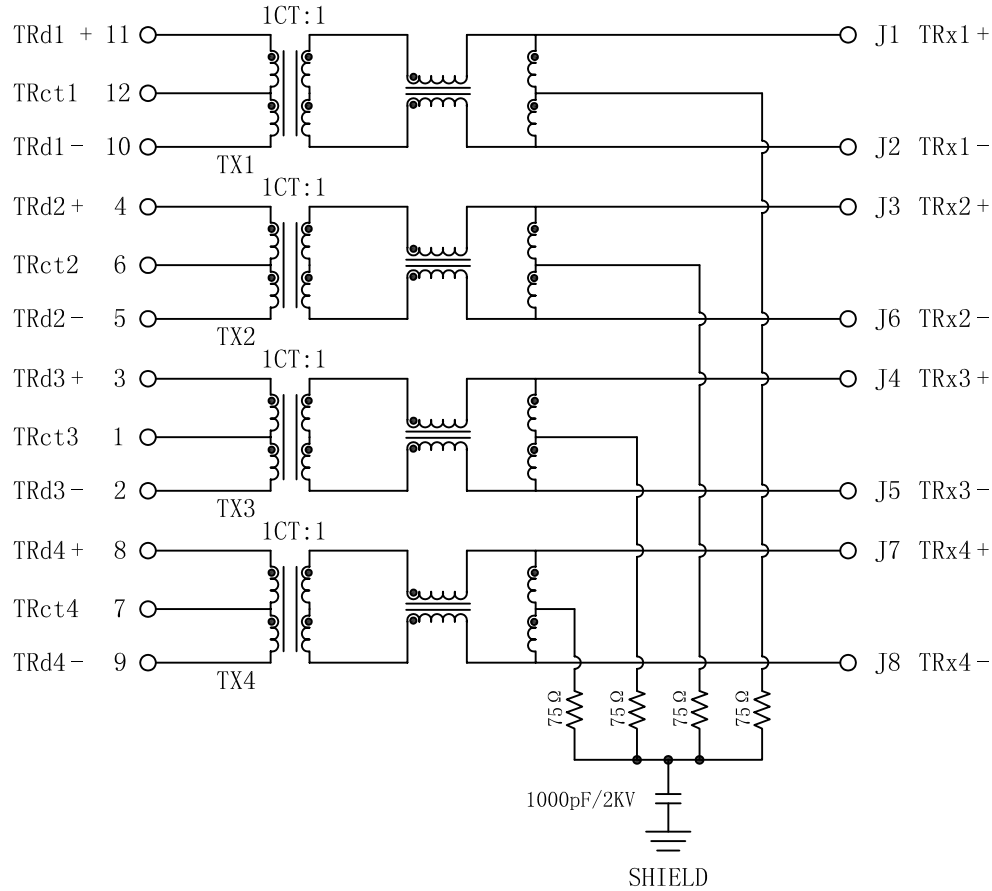


# Schematic:

| REV. | ECN NO. | DESCRIPTION | DATE       | APPD |
|------|---------|-------------|------------|------|
| A    | REL     |             | 12/08/2008 |      |

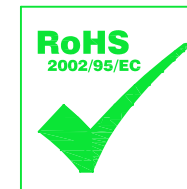
## PHY SIDE

## CABLE SIDE

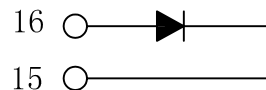


## Electrical Specifications @25°C

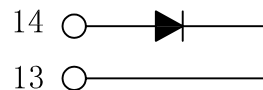
- OCL (@100KHz, 100mV, 8mA DC BIAS):  
350uH min
- Turns Ratio ( $\pm 2\%$ ):  
TX=1CT:1      RX=1CT:1
- Insertion Loss:  
1~100MHz: -1.0dB max
- Return Loss (dB min):  
1~10MHz: -20 ; 30MHz: -16  
60~80MHz: -12 ; 80~100MHz: -10
- Crosstalk (dB min):  
1~10MHz: -40 ; 32~65MHz: -35  
65~100MHz: -30
- CMR (dB min):  
1~125MHz: -30 ; 125~500MHz: -20
- Hi-Pot: 1500Vrms @60Hz
- Operating Temperature: -40°C ~ +85°C.



YELLOW/LEFT LED



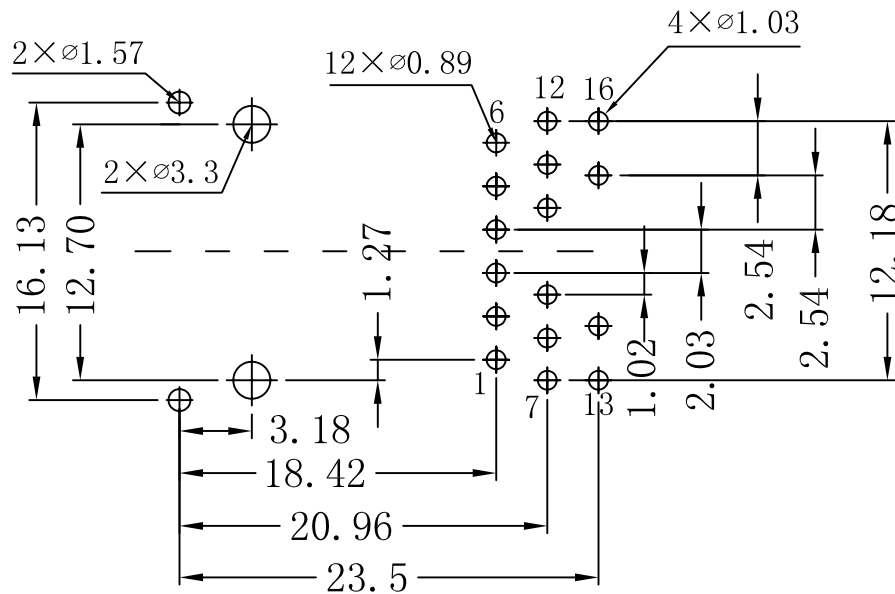
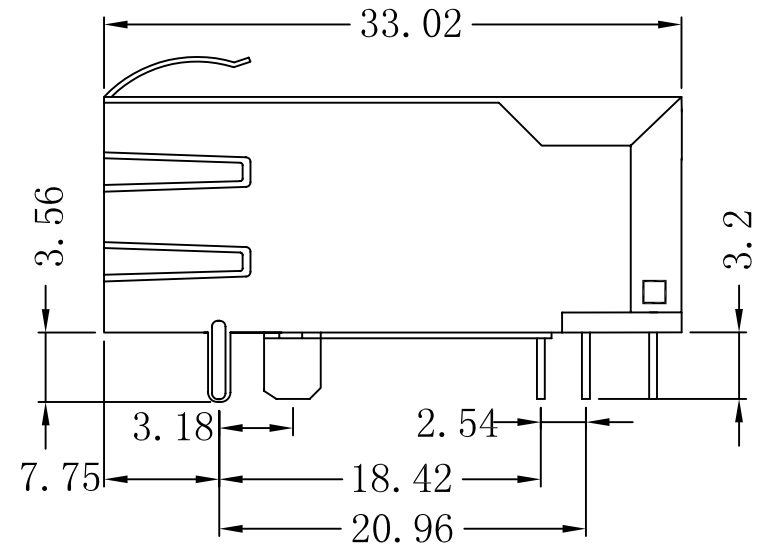
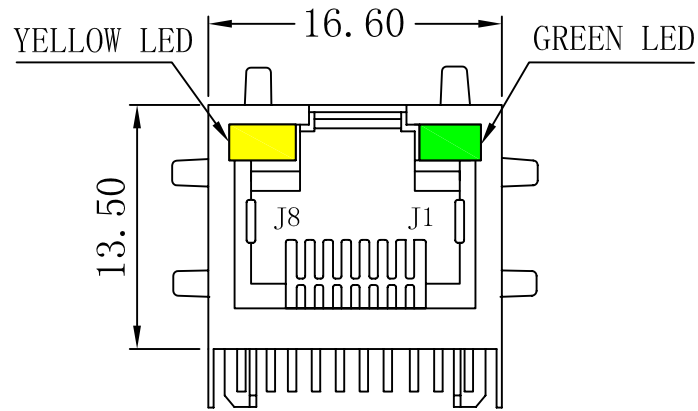
GREEN/RIGHT LED



|        |               |            |   |                     |
|--------|---------------|------------|---|---------------------|
| X:X    | $\pm 0.20$    | APPD:      | LINK-PP INT'L TECHNOLOGY CO., LIMITED                       |                     |
| X:XX   | $\pm 0.10$    | CHKD:      | Title: RJ45 Connector with 1000 Base-TX Integrated Magnetic |                     |
| X:XXX  | $\pm 0.05$    | DR: TOM    |   |                     |
| ANGLES | $\pm 1^\circ$ | UNIT: mm   | PART NO.:   | LPJK4071AGNL        |
|        | SCALE: 2/1    | SHEET: 1/2 | REV: A  | DWG NO.: LP08081209 |

# Mechanical:

| REV. | ECN NO. | DESCRIPTION | DATE       | APPD |
|------|---------|-------------|------------|------|
| A    | REL     |             | 12/08/2008 |      |



SUGGESTED PCB LAYOUT (TOP VIEW)



## NOTES:

1. Designed to support application, such as SOHO (ADSL modems), LAN-on-Motherboard (LOM), hub and Switches.
2. Meets IEEE 802.3 specification
3. Connector Materials:  
Housing: Thermoplastic UL94V-0  
Contact/Shield: Copper alloy  
Shield plating: Nickel  
Contact plating: Gold 6 micro-inches min. In contact area.
4. Wave solder tip temperature: 265°C Max  
Wave solder tip temperature time: 5 Sec Max

|        |            |            |   |                     |
|--------|------------|------------|---|---------------------|
| X:X    | ±0.20      | APPD:      | LINK-PP INT'L TECHNOLOGY CO., LIMITED                       |                     |
| X:XX   | ±0.10      | CHKD:      | Title: RJ45 Connector with 1000 Base-TX Integrated Magnetic |                     |
| X:XXX  | ±0.05      | DR: TOM    |   |                     |
| ANGLES | ±1°        | UNIT: mm   | PART NO.:   | LPJK4071AGNL        |
|        | SCALE: 2/1 | SHEET: 2/2 | REV: A  | DWG NO.: LP08081209 |