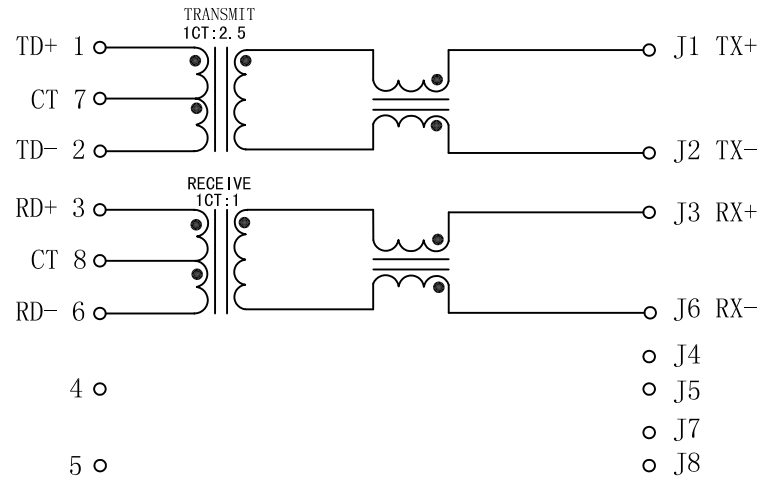


Schematic:

REV.	ECN NO.	DESCRIPTION	DATE	APPD
A	REL		2010/04/10	

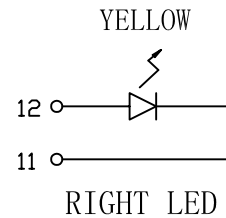
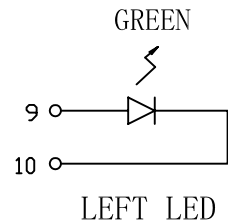
PC BOARD CONNECTIONS



RJ45 CONNECTOR

Electrical Specifications @25°C

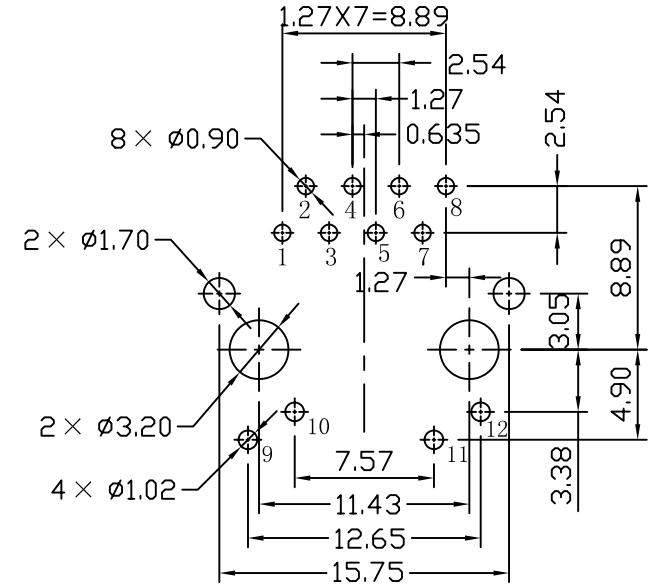
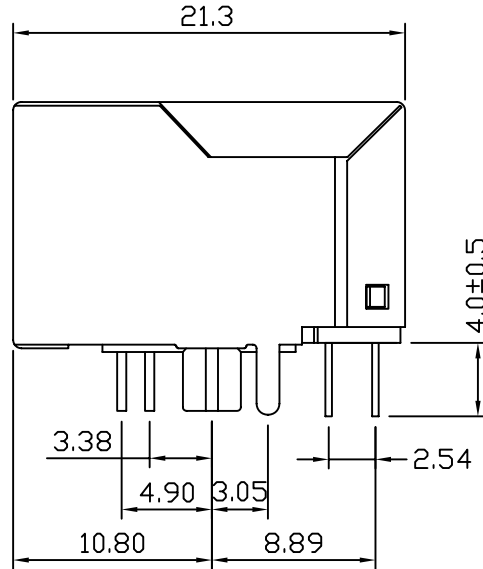
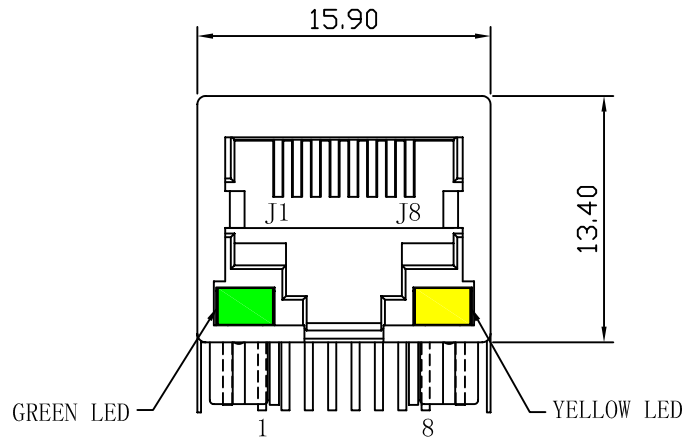
1. OCL: 140uH Min @100KHz 50mV
2. Turns Ratio ($\pm 2\%$) :
TX=1CT:2.5 RX=1CT:1
3. Insertion Loss:
1-10MHz:-1dB Max
4. Return Loss ($100 \Omega \pm 15 \Omega$) :
1-10MHz:-15dB Min
5. Crosstalk:
1-10MHz:-30dB Min
6. CMR: 5MHz:-25dB Min
7. Hipot:1500Vrms
8. Operating Temperature: 0°C~70°C



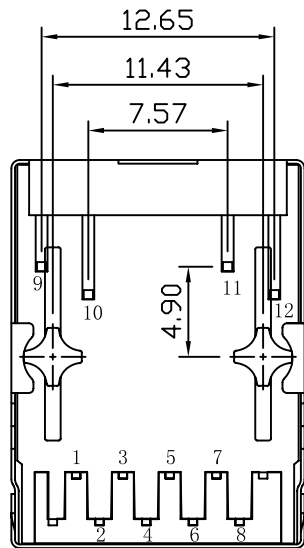
X:X	± 0.25	APPD:	LINK-PP INT'L TECHNOLOGY CO., LIMITED	
X:XX	± 0.20	CHKD:	TITLE: RJ45 Connector With 10 Base-TX Integrated Magnetic	
X:XXX	± 0.05	DR: TOM	PART NO. : LPJ0050BBNL	
ANGLES	$\pm 1^\circ$	UNIT: mm	DWG NO. : LP10041006	
	SCALE: 2/1	SHEET: 1/2	REV: A	

Mechanical:

REV.	ECN NO.	DESCRIPTION	DATE	APPD
A	REL		2010/04/10	



SUGGESTED PCB LAYOUT(TOP VIEW)



NOTES:

1. Designed to support application, such as SOHO (ADSL modems), LAN-on-Motherboard (LOM), hub and Switches.
2. Meets IEEE 802.3 specification
3. Connector Materials:
 Housing: Thermoplastic UL94V-0
 Contact/Shield: Copper alloy
 Shield plating: Nickel
 Contact plating: Gold 6 micro-inches min. In contact area.
4. Wave solder tip temperature: 265°C Max
 Wave solder tip temperature time: 5 Sec Max



X:X ±0.25	APPD:	LINK-PP INT'L TECHNOLOGY CO., LIMITED
X:XX ±0.20	CHKD:	
X:XXX ±0.05	DR: TOM	TITLE: RJ45 Connector With 10 Base-TX Integrated Magnetic
ANGLES ±1°	UNIT: mm	PART NO.: LPJ0050BBNL
	SCALE: 2/1	SHEET: 2/2
	REV: A	DWG NO.: LP10041006