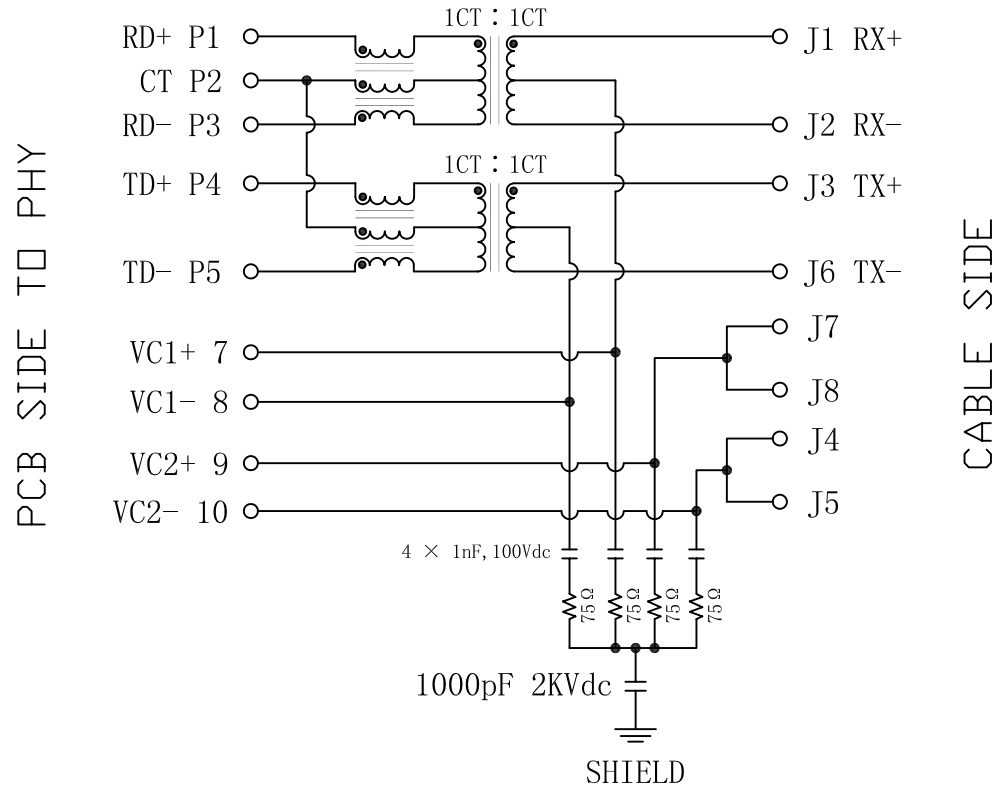


# Schematic:

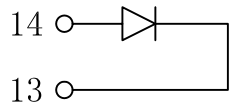
REV.	ECN NO.	DESCRIPTION	DATE	APPD
A	REL		2012/02/23	



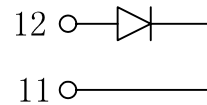
## Electrical Specification @25°C

- Turns Ratio ( $\pm 2\%$ ) :  
TX=1CT : 1CT      RX=1CT : 1CT
- Insertion Loss:  
1~100MHz: -1.5dB Max
- Return Loss:  
1~30MHz: -16dB Min  
60~80MHz: -10dB Min
- Crosstalk:  
1~100MHz: -30dB Min
- CM TO CM REJECTION:  
0.1~100MHz: -30dB Min
- OCL (0.1V, 100KHz, 8mA DC Bias):  
350uH Min
- Hipot: 1500Vrms
- Operating Temperature: 0°C ~ 70°C

GREEN/LEFT LED



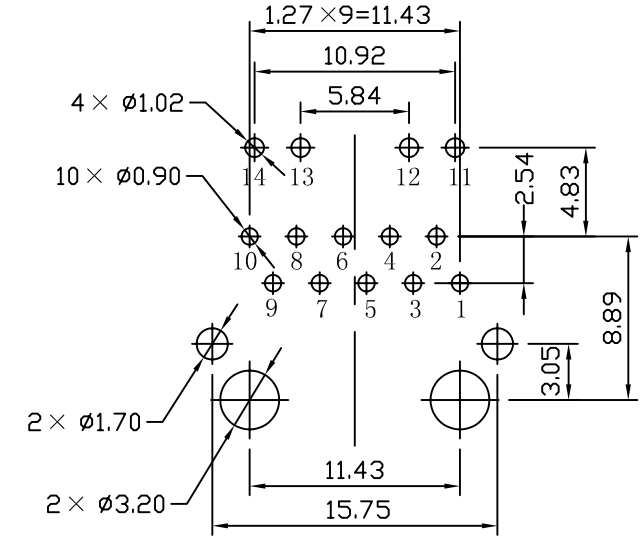
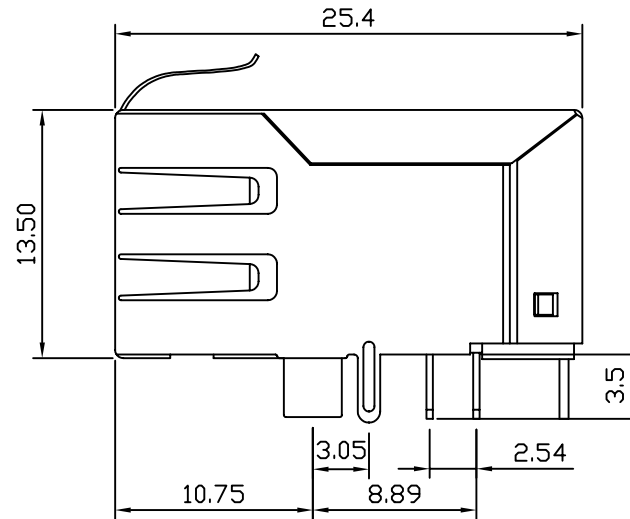
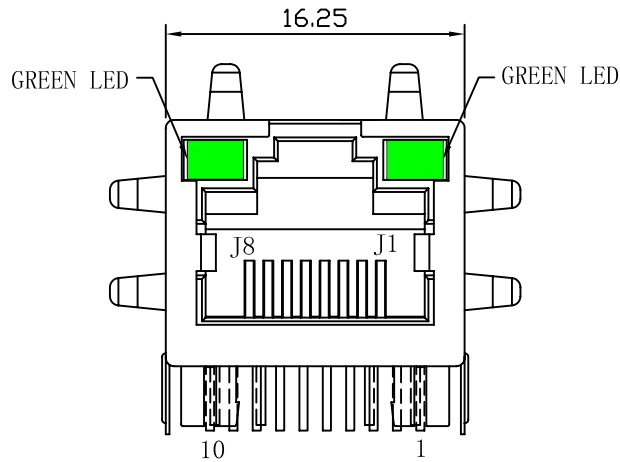
GREEN/LEFT LED



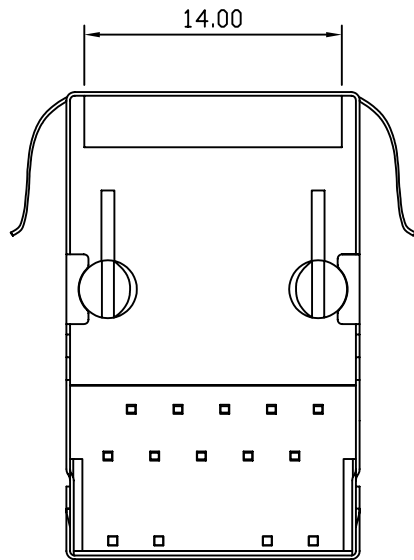
X:X ±0.25	APPD:	LINK-PP INT'L TECHNOLOGY CO., LIMITED
X:XX ±0.20	CHKD:	
X:XXX ±0.05	DR: TOM	TITLE: RJ45 Connector with 10/100 Base-T Integrated Magnetics & PoE
ANGLES ±1°	UNIT: mm	PART NO. : LPJ1145AWN
	SCALE: 2/1	SHEET: 2/2
	REV: A	DWG NO. : LP12022301

# Mechanical:

REV.	ECN NO.	DESCRIPTION	DATE	APPD
A	REL		2012/02/23	

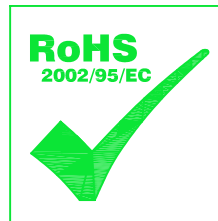


SUGGESTED PCB LAYOUT (TOP VIEW)



### NOTES:

1. Designed to support application, such as SOHO (ADSL modems), LAN-on-Motherboard (LOM), hub and Switches.
2. Meets IEEE 802.3 specification
3. Connector Materials:  
 Housing: Thermoplastic UL94V-0  
 Contact/Shield: Copper alloy  
 Shield plating: Nickel  
 Contact plating: Gold 6 micro-inches min. In contact area.
4. Wave solder tip temperature: 265°C Max  
 Wave solder tip temperature time: 5 Sec Max
5. Balanced DC Line Current: Used Pairs 700mA Max  
 Unused Pairs 700mA Max



X:X ±0.25	APPD:	LINK-PP INT'L TECHNOLOGY CO., LIMITED
X:XX ±0.20	CHKD:	
X:XXX ±0.05	DR: TOM	TITLE: RJ45 Connector with 10/100 Base-T Integrated Magnetics & PoE
ANGLES ±1°	UNIT: mm	PART NO.: LPJ1145AWN
	SCALE: 2/1	SHEET: 2/2
	REV: A	DWG NO.: LP12022301