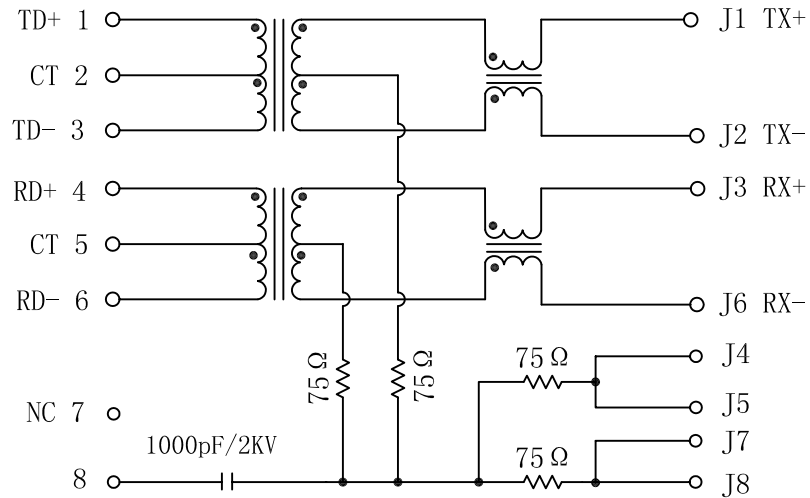


# Schematic:

REV.	ECN NO.	DESCRIPTION	DATE	APPD
A	REL		2011/09/21	

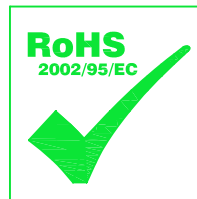
PCB CONNECTIONS



RJ45 CONNECTOR

## Electrical Specification @25°C

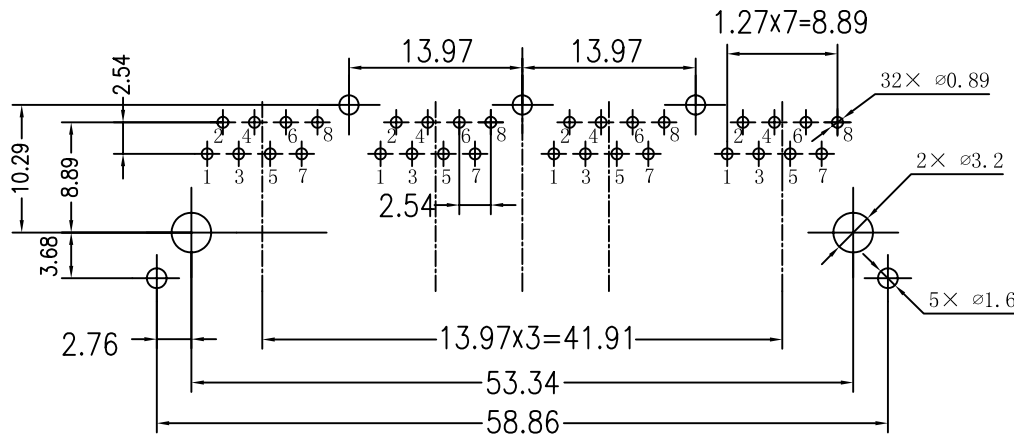
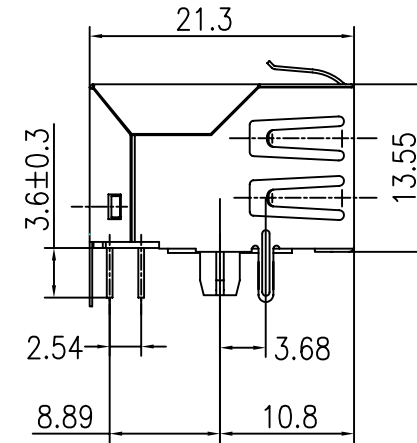
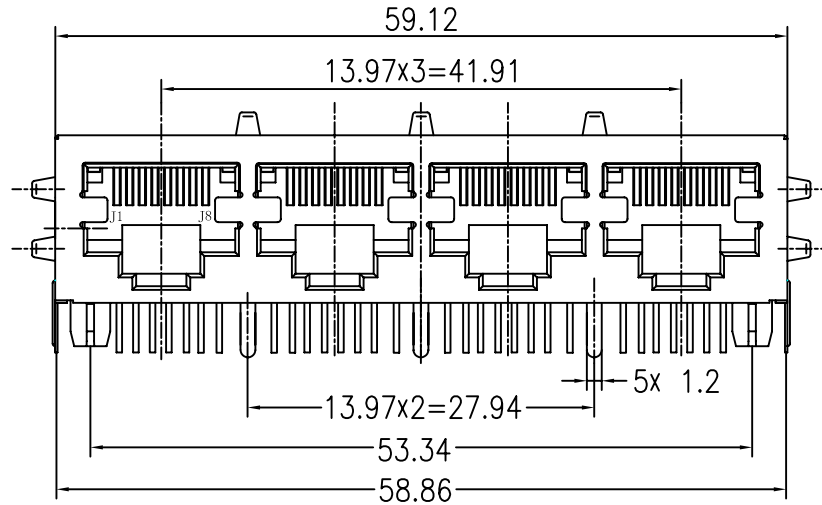
- Turns Ratio ( $\pm 2\%$ ) :  
TX=1CT:1CT      RX=1CT:1CT
- OCL: 350uH Min  
@100KHz, 0.1V, 8mA DC Bias
- Insertion Loss:  
1~100MHz:-1.0dB Max
- Return Loss(dB Min):  
1~30MHz:-16      30~60MHz:-12  
60~80MHz:-10
- Crosstalk(dB Min):  
1~30MHz:-40      30~60MHz:-35  
60~100MHz:-30
- CMR(dB Min):  
1~50MHz:-40      50~150MHz:-30
- Hipot: 1500V AC 6S 1mA
- Operating Temperature: -40°C~+85°C.



X:X	$\pm 0.20$	APPD:	LINK-PP INT'L TECHNOLOGY CO., LIMITED	
X:XX	$\pm 0.10$	CHKD:	<i>Title:</i> RJ45 Connector With 10/100 Base-TX Integrated Magnetic	
X:XXX	$\pm 0.05$	DR: TOM		
ANGLES	$\pm 1^\circ$	UNIT: mm	PART NO. :	LPJF46401-9CNL
	SCALE: 2/1	SHEET: 1/2	REV: A	DWG: LP08070208

# Mechanical :

REV.	ECN NO.	DESCRIPTION	DATE	APPD
A	REL		2011/09/21	



SUGGESTED PCB LAYOUT (TOP VIEW)



## NOTES:

1. Designed to support application, such as SOHO (ADSL modems), LAN-on-Motherboard (LOM), hub and Switches.
2. Meets IEEE 802.3 specification
3. Connector Materials:  
 Housing: Thermoplastic UL94V-0  
 Contact/Shield: Copper alloy  
 Shield plating: Nickel  
 Contact plating: Gold 50 micro-inches min. In contact area.
4. Wave peak temperature: 260°C, 5Sec.

X:X	±0.20	APPD:	LINK-PP INT'L TECHNOLOGY CO., LIMITED
X:XX	±0.10	CHKD:	
X:XXX	±0.05	DR: TOM	<i>Title:</i> RJ45 Connector With 10/100 Base-TX Integrated Magnetic
ANGLES	±1°	UNIT: mm	PART NO.: LPJF46401-9CNL
	SCALE: 2/1	SHEET: 2/2	REV: A DWG: LP08070208