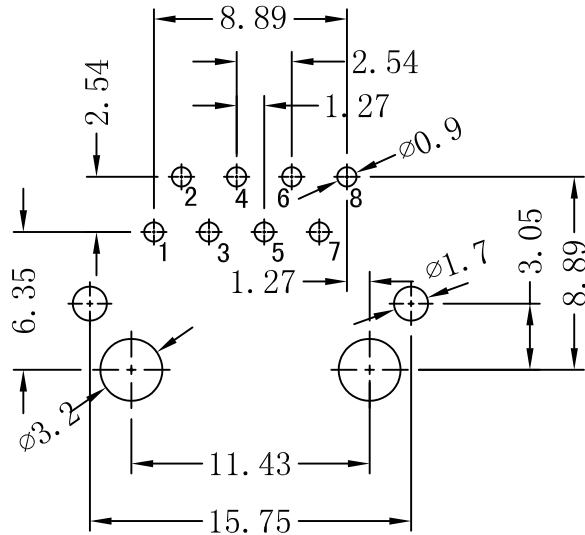
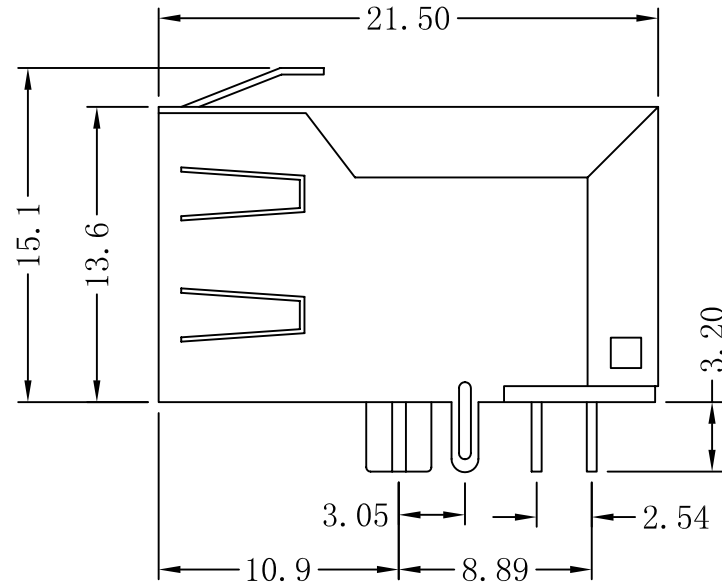
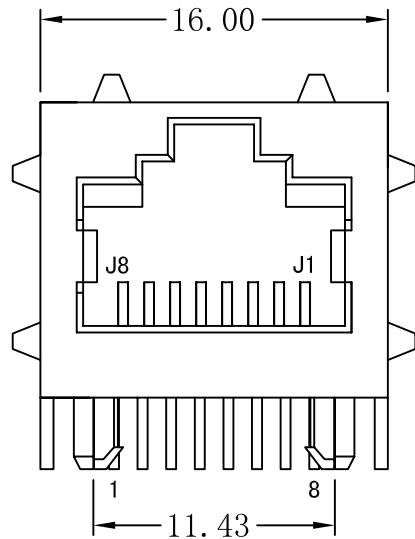


Mechanical:

REV.	ECN NO.	DESCRIPTION	DATE	APPD
A	REL		2010/09/18	



SUGGESTED PCB LAYOUT (TOP VIEW)



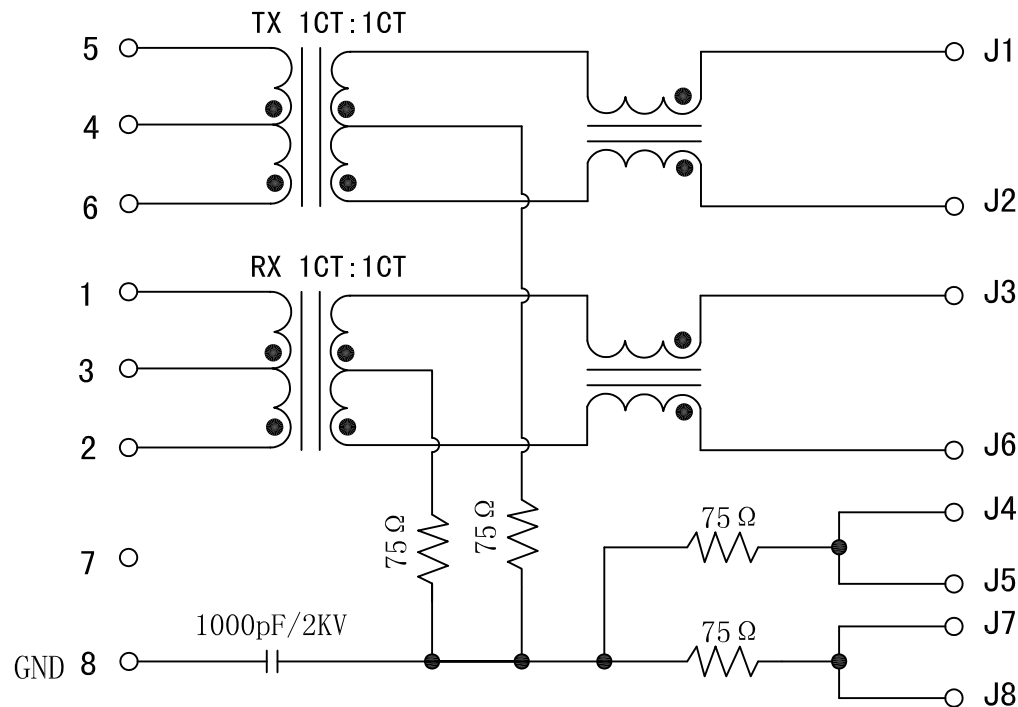
NOTES:

1. Designed to support application, such as SOHO (ADSL modems), LAN-on-Motherboard (LOM), hub and Switches.
2. Meets IEEE 802.3 specification
3. Connector Materials:
 Housing: Thermoplastic UL94V-0
 Contact/Shield: Copper alloy
 Shield plating: Nickel
 Contact plating: Gold 6 micro-inches min. In contact area.
4. Wave solder tip temperature: 265°C Max
 Wave solder tip temperature time: 5 Sec Max

X:X	±0.20	APPD:	LINK-PP INT'L TECHNOLOGY CO., LIMITED
X:XX	±0.10	CHKD:	
X:XXX	±0.05	DR: TOM	Title: RJ45 Connector With 10/100 Base-TX Integrated Magnetic TAB-UP
ANGLES	±1°	UNIT: mm	PART NO.: LPJ16264CNL
	SCALE: 2/1	SHEET: 1/2	REV: A DWG NO: LP10091802

Schematic:

REV.	ECN NO.	DESCRIPTION	DATE	APPD
A	REL		2010/09/18	



Electrical Specifications @25°C

- Turns Ratio ($\pm 2\%$):
TX=1CT:1CT RX=1CT:1CT
- Inductance OCL: 350uH min
@100KHz, 100mV, 8mA DC Bias.
- Return Loss (dB Min):
1-30MHz: -18
40MHz: -16
50MHz: -14
60-80MHz: -12
- Crosstalk (dB Min):
0.3-80MHz: -30
- Isolation Voltage: 1500V
- Operating Temperature: 0~70°C



X:X	± 0.20	APPD:	LINK-PP INT'L TECHNOLOGY CO., LIMITED
X:XX	± 0.10	CHKD:	
X:XXX	± 0.05	DR: TOM	Title: RJ45 Connector With 10/100 Base-TX Integrated Magnetic TAB-UP
ANGLES	$\pm 1^\circ$	UNIT: mm	PART NO.: LPJ16264CNL
	SCALE: 2/1	SHEET: 2/2	REV: A DWG NO: LP10091802